



Architect/Engineering Specifications:

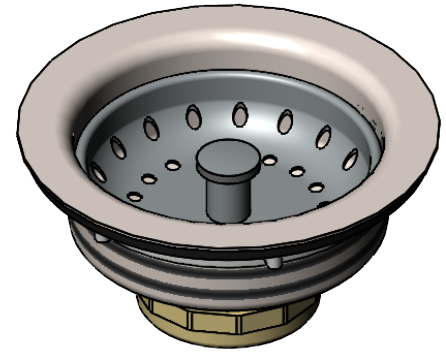
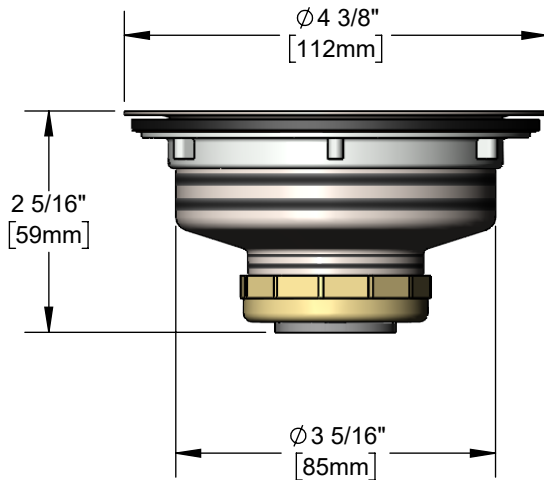
Stainless steel sink drain with polished stainless steel crumb cup with rubber stopper, adapts to ϕ 1 1/4" to ϕ 1 1/2" tailpiece. Certified to ASME A112.18.1/CSA B125.2.

Job Name _____

Model Specified _____ Quantity _____

Variations Specified _____

Date _____



Features & Benefits:

- Stainless steel drain body with brush finished flange
- Polished stainless steel crumb cup with rubber stopper
- Fits sinks with ϕ 3 1/2" drain hole
- Adapts to ϕ 1 1/4" to ϕ 1 1/2" tailpiece
- Material: Stainless steel body and crumb cup

Product Compliance:

- ASME A112.18.2 / CSA B125.2



Warranty: One Year (Limited)

Performance Data:

- Discharge Rate: 18.00 GPM [68.14 L/min] max

