



T&S BRASS AND BRONZE WORKS, INC.

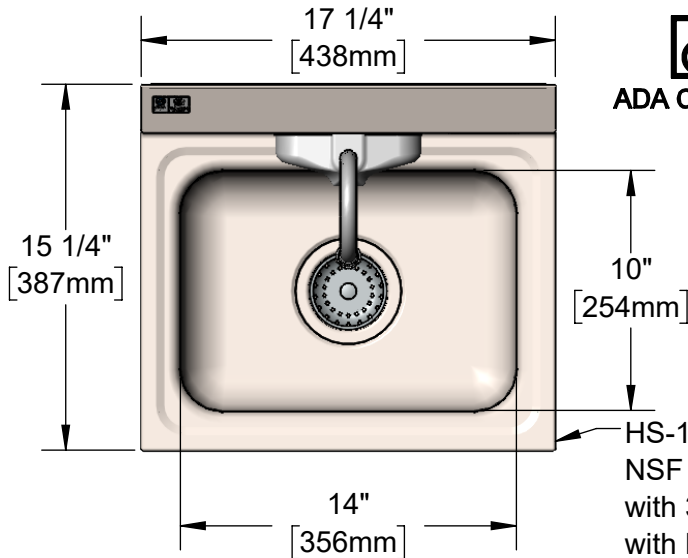
2 Saddleback Cove / P.O. Box 1088
Travelers Rest, SC 29690

Model No.

EC-3105-4W

Item No.

Travelers Rest, SC: 800-476-4103 • Simi Valley, CA: 800-423-0150 • Fax: 864-834-3518 • www.tsbrass.com



ADA Compliant

This Space for Architect/Engineer Approval

Job Name _____ Date _____

Model Specified _____ Quantity _____

Customer/Wholesaler _____

Contractor _____

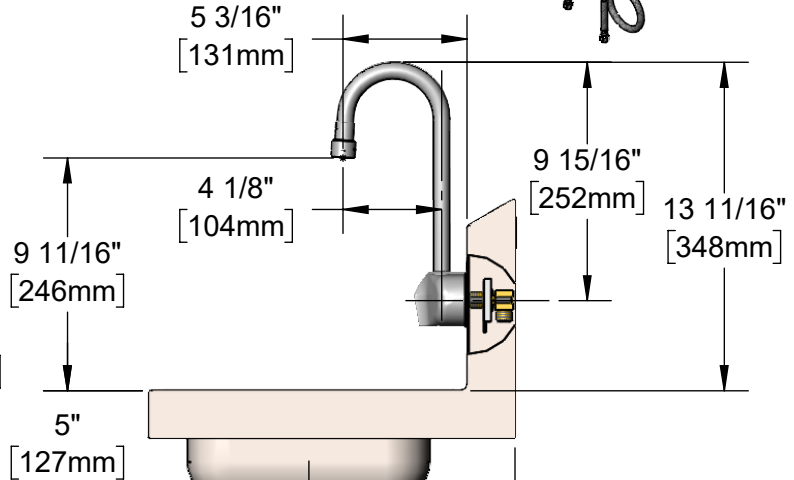
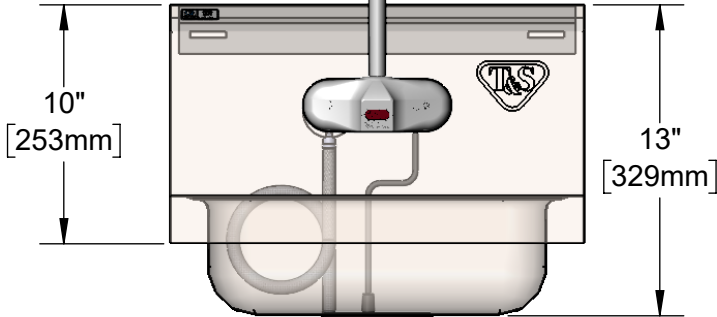
Architect/Engineer _____

HS-1715-4W
NSF Approved Stainless Steel Sink
with 3 1/2" Drain Hole. Supplied
with Mounting Bracket and Drain
Assembly w/ Basket Strainer



EC-3105
ChekPoint Electronic
Sensor Faucet

2.2 GPM
VR Aerator



Removable
Strainer

100-240 VAC Adapter
w/ 72" [1830mm] Power
Cord

(2) 3/8" Compression x 1/2" NPSM
18" [457mm] Flexible Stainless Steel
Supply Hoses

Temperature Mixing Valve
w/ Integral Check Valves

Drain Assembly Adapts to
Ø 1 1/2" Tailpiece

Product Specifications:

Hand Wash Sink / Elec. Sensor Faucet, Stainless Steel Sink / Backsplash, 3 1/2" Drain Assembly, Electronic Sensor Faucet, 4" c/c Wall Mount Rigid Goosneck w/ 2.2 GPM VR Aerator, AC/DC Control Module w/ Internal Flow Control Setting Switches, Temperature Control Mixing Valve w/ Check Valves, 18" Flexible Stainless Steel Supply Hoses

Product Compliance:

ASME A112.18.1 / CSA B125.1
ASME A112.19.3 / CSA B45.4 (Sink & Drain)
NSF 61 - Section 9
NSF 372 (Low Lead Content)
UL 1951
ANSI A117.1 (ADA)
NSF / ANSI 2 (Sink & Drain)
ASME A112.18.2 / CSA B125.2 (Drain)

Drawn: JMD

Checked: JRM

Approved: JHB

Date: 04/15/24

Scale: 1:8

Sheet: 1 of 2



T&S BRASS AND BRONZE WORKS, INC.

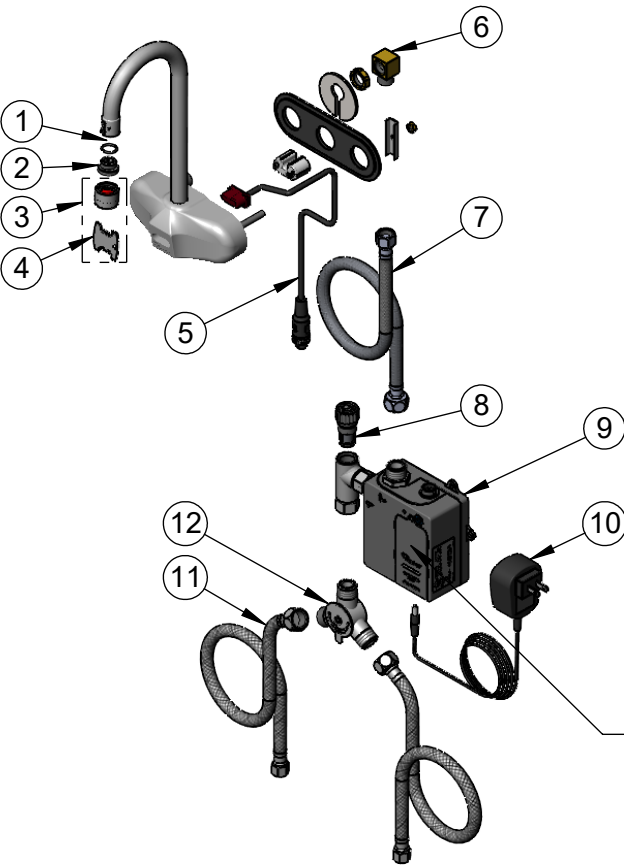
2 Saddleback Cove / P.O. Box 1088
Travelers Rest, SC 29690

Model No.

EC-3105-4W

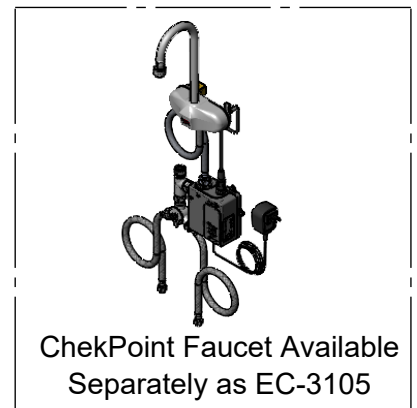
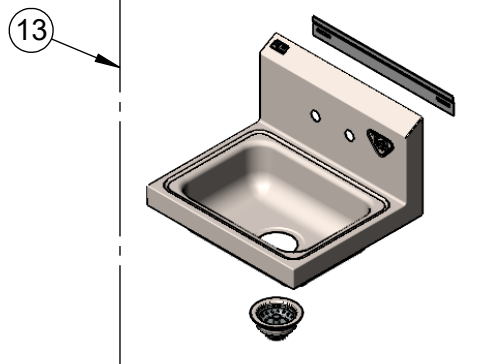
Item No.

Travelers Rest, SC: 800-476-4103 • Simi Valley, CA: 800-423-0150 • Fax: 864-834-3518 • www.tsbrass.com



ITEM NO.	SALES NO.	DESCRIPTION
1	006575-45	O-Ring
2	044A	3/8" to Aerator Adapter
3	B-0199-06	VR 2.2 GPM Aerator, 55/64-27 Female w/ Key
4	015425-45	Vandal Resistant Key
5	019174-45	Sensor Cable Assembly
6	015345-20	Low Profile Elbow, 3/8 NPSM
7	016325-45	Flex Connector, 3/8 NPSM x 1/2 NPSM
8	EC-FILTER	Replacement Filter
9	019944-45	ChekPoint Control Module w/ Filter Tee
10	5EF-0002C	AC Adapter - US Plug
11	5EF-0005	Supply Hose, 9/16-24 Female x 1/2" NPSM
12	5EF-0006	Mechanical Mixing Valve
13	HS-1715-4W	17" x 15" Sink w/ Drain Assembly

Flow Control Switches are Located Behind Battery Compartment Cover.
* Switches are Set to DEFAULT Position:
- Auto Time Out = 15 Seconds
- Shut Off Delay = 1 Second
- Auto Flush = OFF
- Metering Mode = OFF



*** Available Water Flow Control Selections:**

- Auto Time Out: 15 sec, 30 sec, 45 sec, 60 sec, 3 min, 20 min
- Shut Off Delay: 1 sec, 10 sec, 15 sec, 30 sec
- Auto Flush (30 Seconds After Every 12 Inactive Hours): ON or OFF
- Metering Mode: ON or OFF

Product Specifications:

Hand Wash Sink / Elec. Sensor Faucet, Stainless Steel Sink / Backsplash, 3 1/2" Drain Assembly, Electronic Sensor Faucet, 4" c/c Wall Mount Rigid Goosneck w/ 2.2 GPM VR Aerator, AC/DC Control Module w/ Internal Flow Control Setting Switches, Temperature Control Mixing Valve w/ Check Valves, 18" Flexible Stainless Steel Supply Hoses

Product Compliance:

ASME A112.18.1 / CSA B125.1
ASME A112.19.3 / CSA B45.4 (Sink & Drain)
NSF 61 - Section 9
NSF 372 (Low Lead Content)
UL 1951
ANSI A117.1 (ADA)
NSF / ANSI 2 (Sink & Drain)
ASME A112.18.2 / CSA B125.2 (Drain)