



# T&S BRASS AND BRONZE WORKS, INC.

2 Saddleback Cove / P.O. Box 1088  
Travelers Rest, SC 29690

Model No.

**HS-1715-1W-S**

Item No.

Travelers Rest, SC: 800-476-4103 • Simi Valley, CA: 800-423-0150 • Fax: 864-834-3518 • www.tsbrass.com

This Space for Architect/Engineer Approval

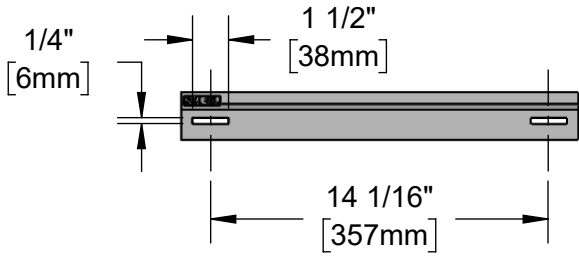
Job Name \_\_\_\_\_ Date \_\_\_\_\_

Model Specified \_\_\_\_\_ Quantity \_\_\_\_\_

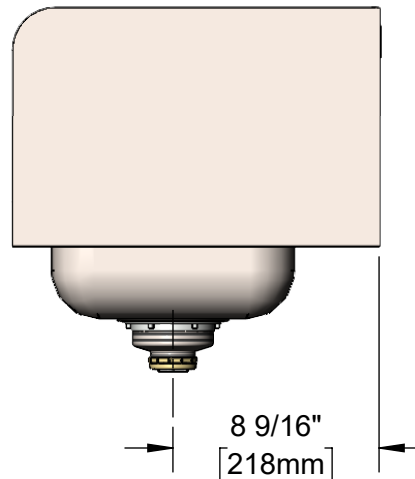
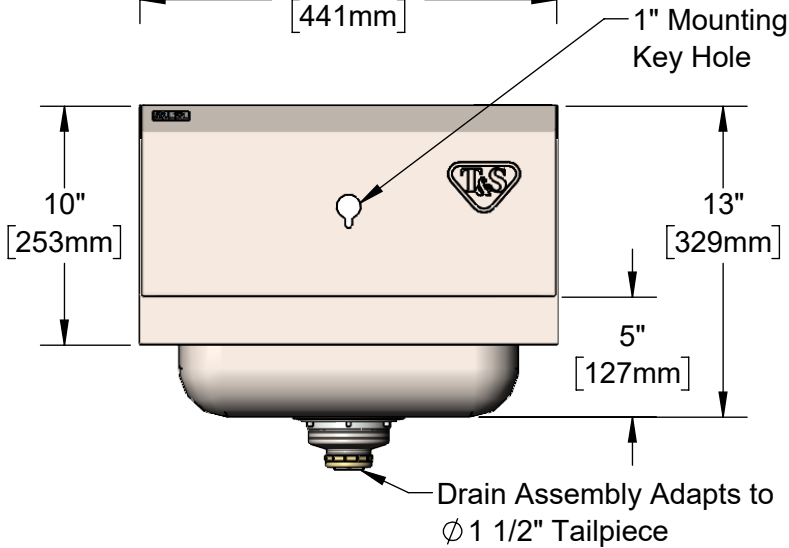
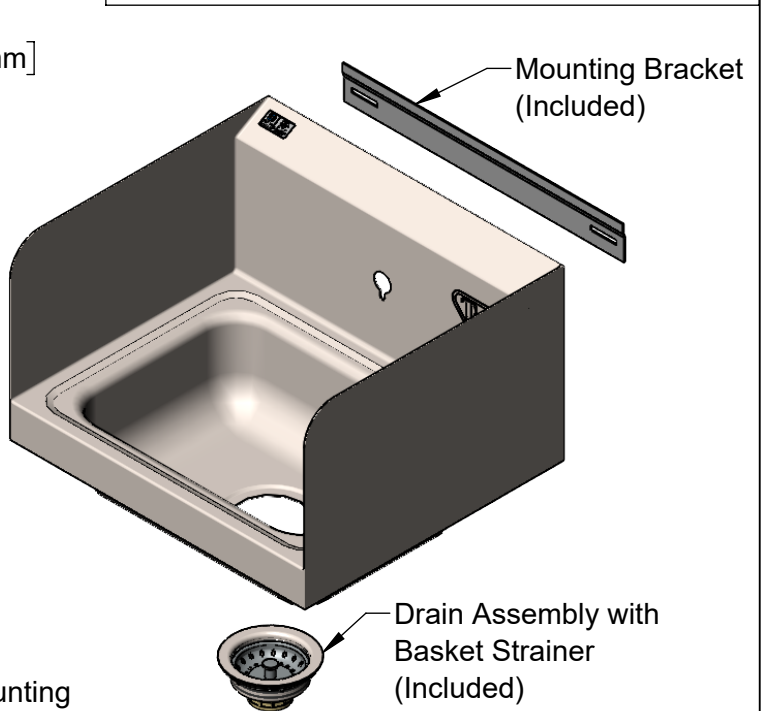
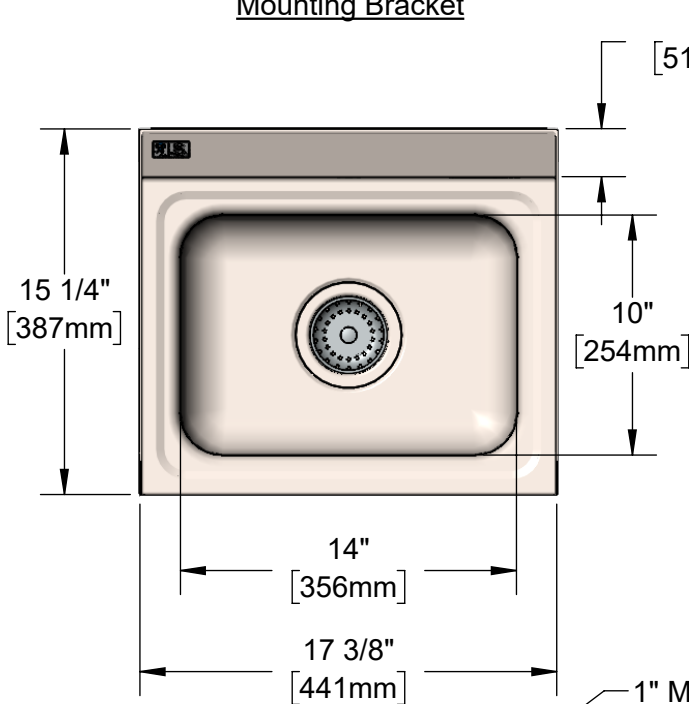
Customer/Wholesaler \_\_\_\_\_

Contractor \_\_\_\_\_

Architect/Engineer \_\_\_\_\_



**Mounting Bracket**



**Product Specifications:**

Hand Wash Sink w/ Backsplash, Side Splash Shields, Drain Assembly and Mounting Bracket, NSF Approved, Stainless Steel, 17" x 15" Overall, 14" x 10" Bowl, Single Faucet Mounting Hole, 3 1/2" Drain Hole

**Product Compliance:**

ASME A112.19.3 / CSA B45.4 (Sink & Drain)  
NSF / ANSI 2 (Sink & Drain)  
ASME A112.18.2 / CSA B125.2 (Drain)