



T&S BRASS AND BRONZE WORKS, INC.

2 Saddleback Cove / P.O. Box 1088
Travelers Rest, SC 29690

Model No.

B-7245-04

Item No.

Travelers Rest, SC: 800-476-4103 • Simi Valley, CA: 800-423-0150 • Fax: 864-834-3518 • www.tsbrass.com

This Space for Architect/Engineer Approval

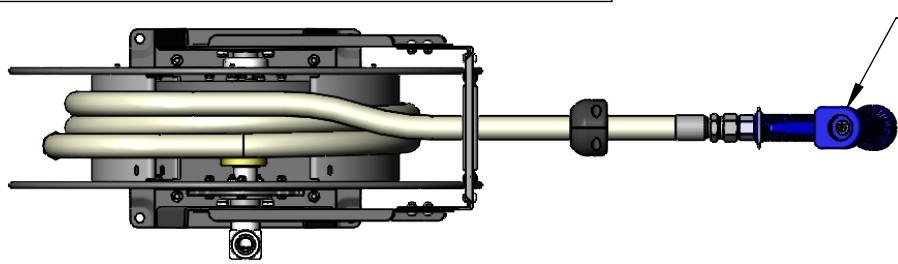
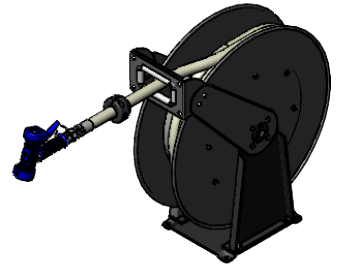
Job Name _____ Date _____

Model Specified _____ Quantity _____

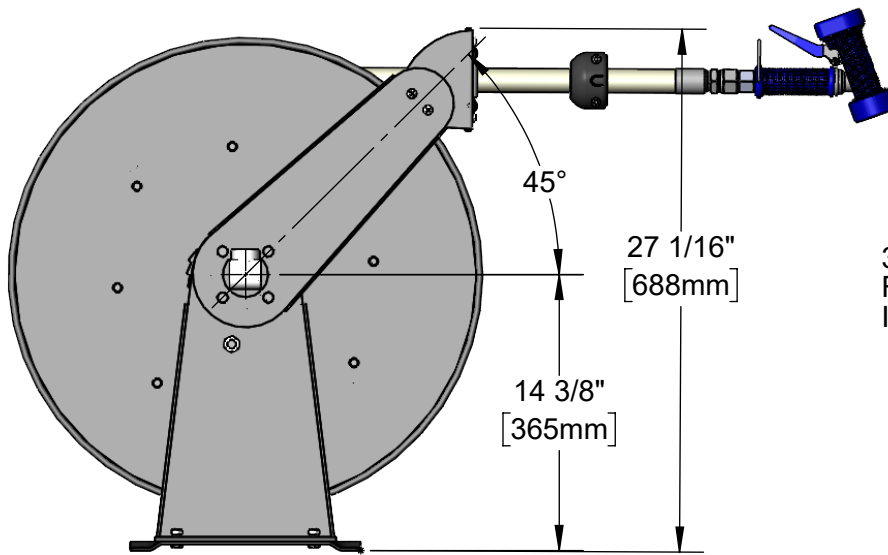
Customer/Wholesaler _____

Contractor _____

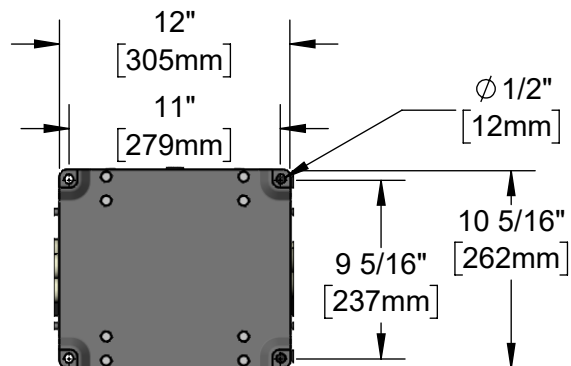
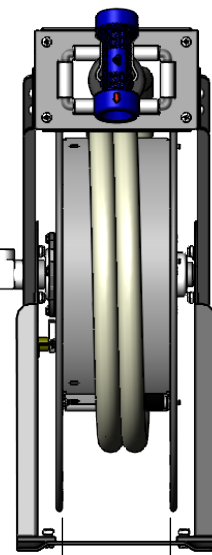
Architect/Engineer _____



MV-2516-44
Rear Trigger Water Gun
w/ Stainless Steel Body &
Royal Blue Rubber Cover



3/4" NPT
Female
Inlet



Product Specifications:
Epoxy Coated Open Hose Reel w/ 3/4" x 50' Creamery Hose, 9/16" Rear
Trigger Water Gun & Double Arm Support

Product Compliance:
NSF 61 Exempt (Non-Potable)
2019 DOE PRSV Non-Compliant



T&S BRASS AND BRONZE WORKS, INC.

2 Saddleback Cove / P.O. Box 1088
Travelers Rest, SC 29690

Model No.

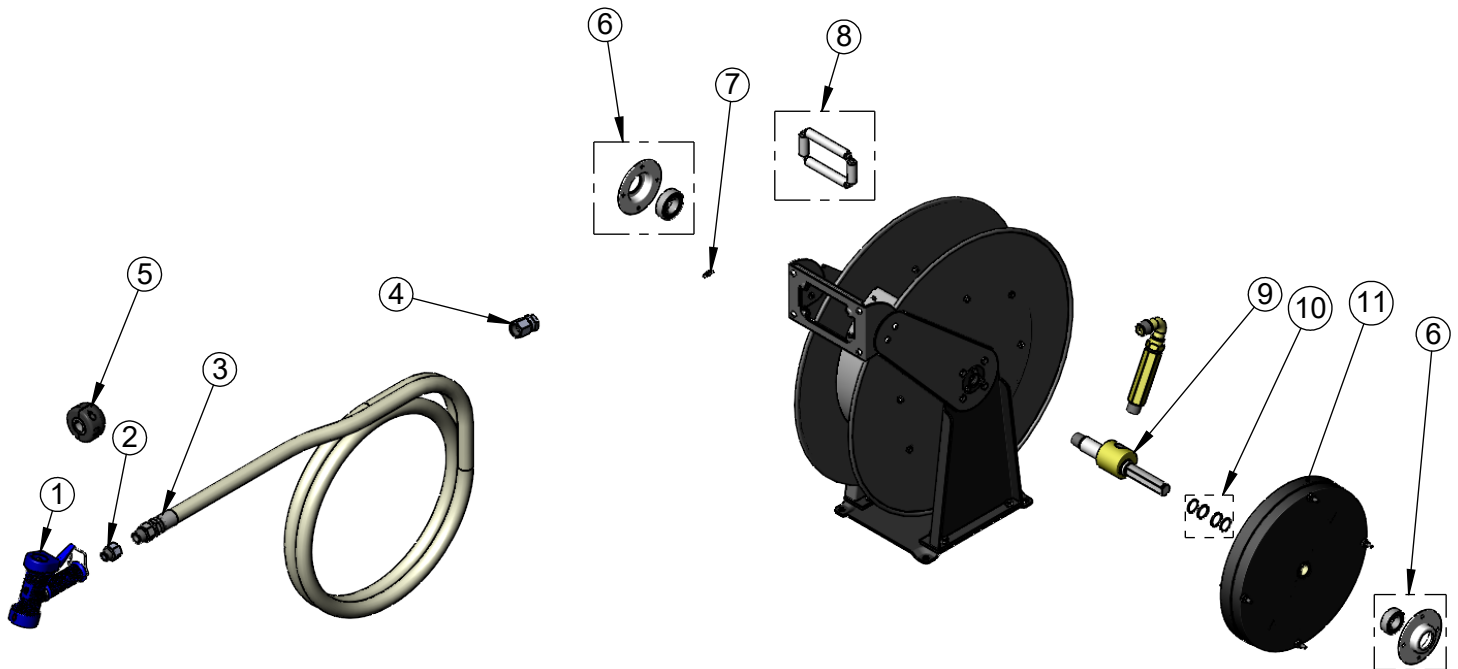
B-7245-04

Item No.

Travelers Rest, SC: 800-476-4103 • Simi Valley, CA: 800-423-0150 • Fax: 864-834-3518 • www.tsbrass.com

| ITEM NO. | SALES NO. | DESCRIPTION |
|----------|------------|---|
| 1 | MV-2516-44 | Rear Trigger Gun, 9/16" Orifice |
| 2 | 006112-25 | Adapter, 3/4" NPT Female x 1/2" NPT Male |
| 3 | 004980-40 | 50' of 3/4" Creamery Hose |
| 4 | 015713-45 | Swivel Connector, 3/4" NPT Female x 3/4" NPT Female |
| 5 | 014930-45 | Hose Stop Repair Kit |
| 6 | 014923-45 | Bearing Repair Kit |
| 7 | 014926-45 | Ratchet Spring Repair Kit |
| 8 | 014925-45 | Roller Guide Kit |
| 9 | 014928-45 | Swivel Repair Kit |
| 10 | 014929-45 | O-Ring Repair Kit |
| * 11 | 021137-45 | ∅ 14" Spring Repair Kit |

* For Hose Reels Manufactured Before May 2021,
Please Order 014924-45 - ∅ 12" Spring Repair Kit



Product Specifications:

Epoxy Coated Open Hose Reel w/ 3/4" x 50' Creamery Hose, 9/16" Rear Trigger Water Gun & Double Arm Support

Product Compliance:

NSF 61 Exempt (Non-Potable)
2019 DOE PRSV Non-Compliant