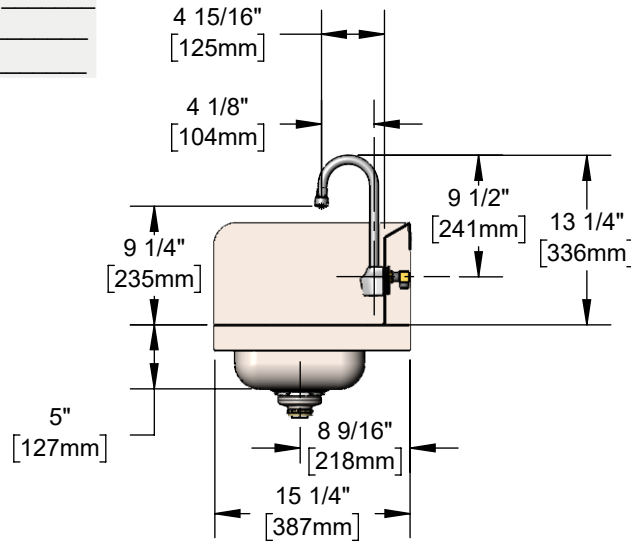
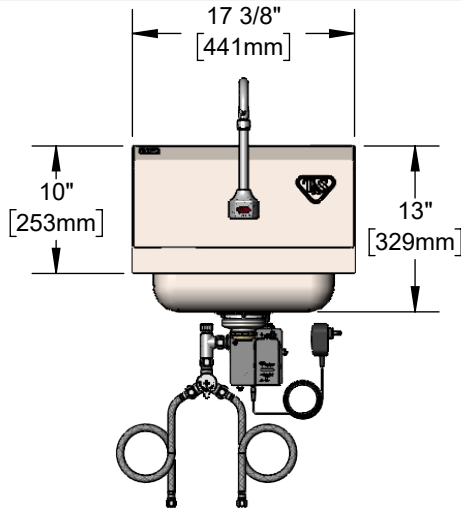




Architect/Engineering Specifications:

Stainless steel hand sink with side splash shields and single hole wall mount electronic sensor faucet with polished chrome plated brass body and 4 1/8" rigid gooseneck, 2.2 GPM vandal resistant aerator, AC/DC control module with internal flow control setting switches, temperature control mixing valve with check valves, 18" flexible stainless steel supply hoses with 3/8" compression connections and 3 1/2" sink drain. Certified to ASME A112.18.1/CSA B125.1, ASME A112.18.2/CSA B125.2, ASME A112.19.3/CSA B45.4, NSF 61-Section 9, NSF 372 and UL 1951. Meets ADA ANSI/ICC A117.1 requirements.

Job Name _____
Model Specified _____ Quantity _____
Variations Specified _____
Date _____



Features & Benefits:

- Stainless steel wall mount hand sink w/ side splash shields and 3 1/2" drain
Single hole wall mount faucet w/ polished chrome plated brass body
4 1/8" rigid gooseneck
2.2 GPM vandal resistant aerator, Series 6 (B-0199-06)
Water resistant control module w/ internal flow control switches for adjusting auto time out & shut off delay settings
Optional auto flush feature flows water for 30 seconds after every 12 inactive hours
Optional metering mode
Plug in AC transformer or (4) AA batteries (DC) power options
Mechanical temperature mixing valve w/ check valves
Two flexible stainless steel supply hoses w/ 3/8" compression connections
Low battery LED indicator light
Material: Polished chrome plated brass body and tubular spout, stainless steel hand sink

Product Compliance:

- ASME A112.18.1 / CSA B125.1
ASME A112.19.3 / CSA B45.4 (Sink & Drain)
NSF 61 - Section 9
NSF 372 (Low Lead Content)
UL 1951
ANSI A117.1 (ADA)
NSF / ANSI 2 (Sink & Drain)
ASME A112.18.2 / CSA B125.2 (Drain)



ADA Compliant



Warranty:

- Sink: One Year (Limited)
Faucet : Three Year (Limited)

Performance Data:

- Pressure: 20 - 125 psi [1.38 - 8.62 bar]
Temperature: 40°F - 140°F [4.44°C - 60 °C]
Flow Rate: 2.2 GPM [8.33 L/min] @ 60 psi [4.14 bar]
Discharge Rate: 18.00 GPM [68.14 L/min] max
Water Consumption: @ 10 sec = .37 gal [1.40 L]
@ 15 sec = .55 gal [2.08 L]

Optional Outlets (Series 1 / VR Series 6)

Table with 5 columns: GPM, Aerated, Non-Aerated (Laminar), VR Aerated, VR Non-Aerated (VR Laminar). Rows list various outlet options for flow rates from 0.35 to 2.2 GPM.

