



# T&S BRASS AND BRONZE WORKS, INC.

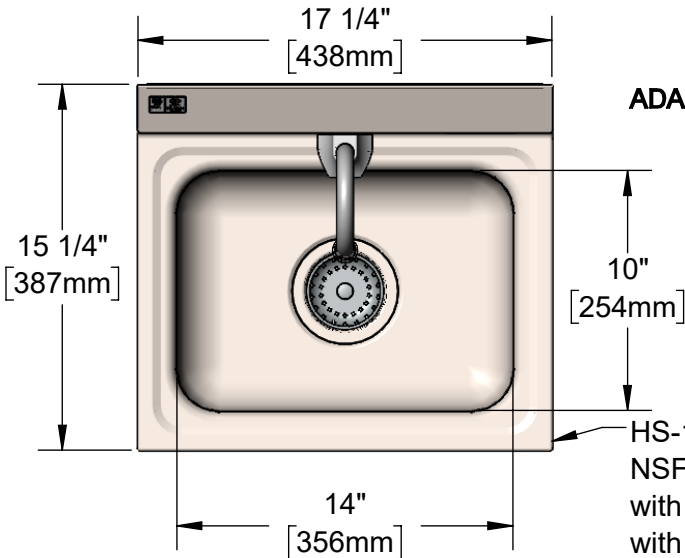
2 Saddleback Cove / P.O. Box 1088  
Travelers Rest, SC 29690

Model No.

**EC-3101-1W**

Item No.

Travelers Rest, SC: 800-476-4103 • Simi Valley, CA: 800-423-0150 • Fax: 864-834-3518 • www.tsbrass.com



**ADA Compliant**

This Space for Architect/Engineer Approval

Job Name \_\_\_\_\_ Date \_\_\_\_\_

Model Specified \_\_\_\_\_ Quantity \_\_\_\_\_

Customer/Wholesaler \_\_\_\_\_

Contractor \_\_\_\_\_

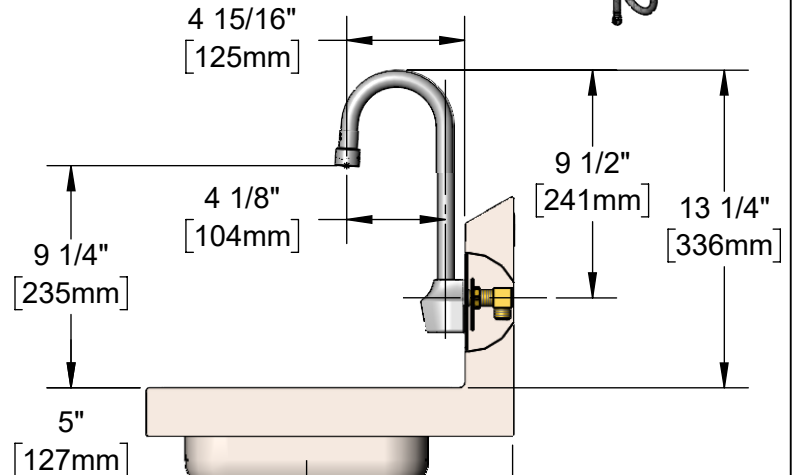
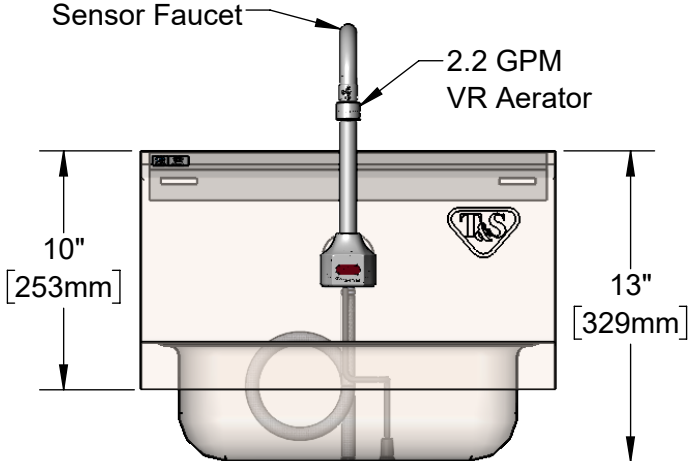
Architect/Engineer \_\_\_\_\_

HS-1715-1W

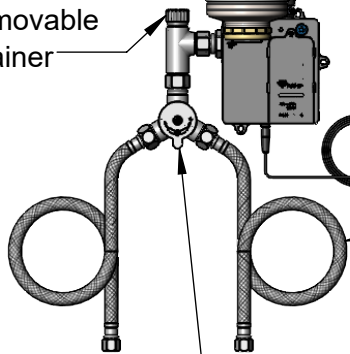
NSF Approved Stainless Steel Sink with 3 1/2" Drain Hole. Supplied with Mounting Bracket and Drain Assembly w/ Basket Strainer



EC-3101  
ChekPoint Electronic Sensor Faucet



Removable Strainer



100-240 VAC Adapter w/ 72" [1830mm] Power Cord

(2) 3/8" Compression x 1/2" NPSM 18" [457mm] Flexible Stainless Steel Supply Hoses

Temperature Mixing Valve w/ Integral Check Valves

Drain Assembly Adapts to  $\varnothing$  1 1/2" Tailpiece

**Product Specifications:**

Hand Wash Sink / Elec. Sensor Faucet, Stainless Steel Sink / Backsplash, 3 1/2" Drain Assembly, Electronic Sensor Faucet, Wall Mount Rigid Gooseneck w/ 2.2 GPM VR Aerator, AC/DC Control Module w/ Internal Flow Control Switches, Temperature Control Mixing Valve w/ Check Valve, 18" Hot & Cold Supply Stop Flexible Connector Hoses

**Product Compliance:**

ASME A112.18.1 / CSA B125.1  
ASME A112.19.3 / CSA B45.4 (Sink & Drain)  
NSF 61 - Section 9  
NSF 372 (Low Lead Content)  
UL 1951  
ANSI A117.1 (ADA)  
NSF / ANSI 2 (Sink & Drain)  
ASME A112.18.2 / CSA B125.2 (Drain)



# T&S BRASS AND BRONZE WORKS, INC.

2 Saddleback Cove / P.O. Box 1088  
Travelers Rest, SC 29690

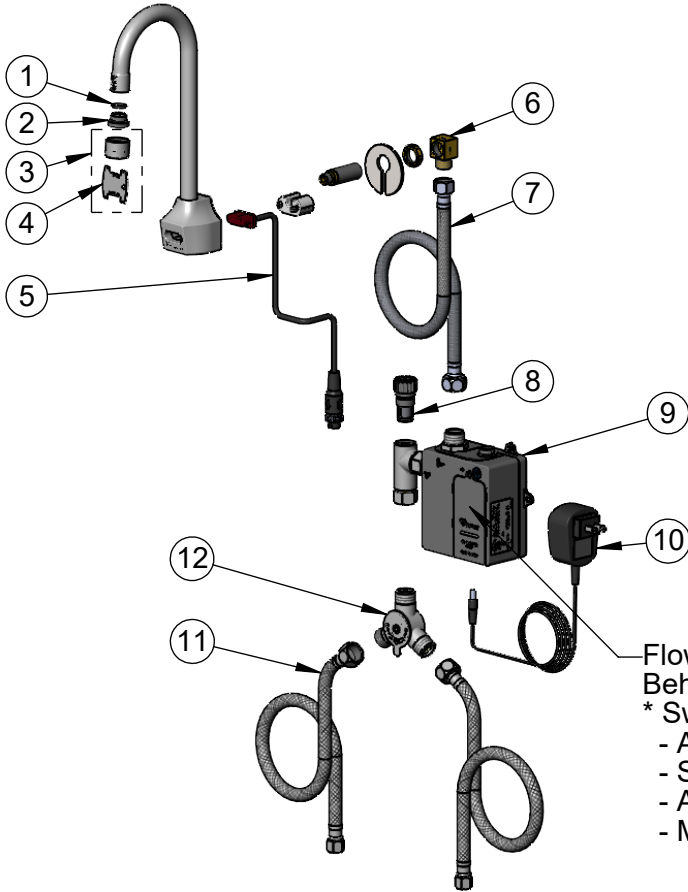
Model No.

**EC-3101-1W**

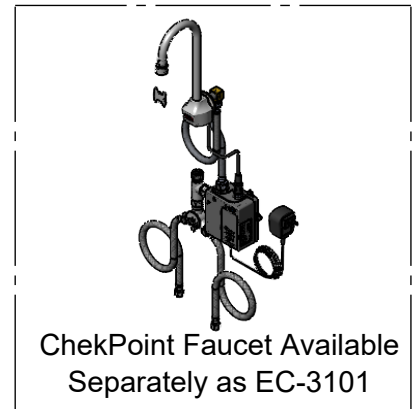
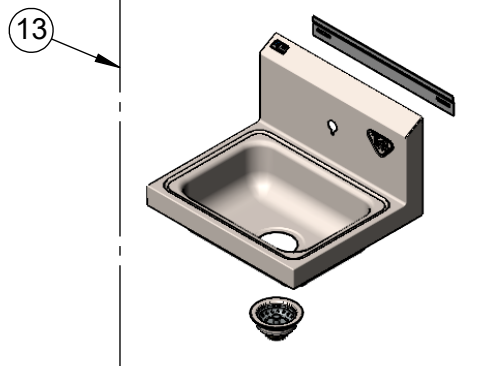
Item No.

Travelers Rest, SC: 800-476-4103 • Simi Valley, CA: 800-423-0150 • Fax: 864-834-3518 • www.tsbrass.com

| ITEM NO. | SALES NO.  | DESCRIPTION                                |
|----------|------------|--|
| 1        | 006575-45  | O-Ring                                     |
| 2        | 044A       | 3/8" to Aerator Adapter                    |
| 3        | B-0199-06  | VR 2.2 GPM Aerator, 55/64-27 Female w/ Key |
| 4        | 015425-45  | Vandal Resistant Key                       |
| 5        | 019174-45  | Sensor Cable Assembly                      |
| 6        | 015345-20  | Low Profile Elbow, 3/8 NPSM                |
| 7        | 016325-45  | Flex Connector, 3/8 NPSM x 1/2 NPSM        |
| 8        | EC-FILTER  | Replacement Filter                         |
| 9        | 019944-45  | ChekPoint Control Module w/ Filter Tee     |
| 10       | 5EF-0002C  | AC Adapter - US Plug                       |
| 11       | 5EF-0005   | Supply Hose, 9/16-24 Female x 1/2" NPSM    |
| 12       | 5EF-0006   | Mechanical Mixing Valve                    |
| 13       | HS-1715-1W | 17" x 15" Sink w/ Drain Assembly           |



Flow Control Switches are Located Behind Battery Compartment Cover.  
\* Switches are Set to DEFAULT Position:  
- Auto Time Out = 15 Seconds  
- Shut Off Delay = 1 Second  
- Auto Flush = OFF  
- Metering Mode = OFF



**\* Available Water Flow Control Selections:**

- Auto Time Out: 15 sec, 30 sec, 45 sec, 60 sec, 3 min, 20 min
- Shut Off Delay: 1 sec, 10 sec, 15 sec, 30 sec
- Auto Flush (30 Seconds After Every 12 Inactive Hours): ON or OFF
- Metering Mode: ON or OFF

**Product Specifications:**

Hand Wash Sink / Elec. Sensor Faucet, Stainless Steel Sink / Backsplash, 3 1/2" Drain Assembly, Electronic Sensor Faucet, Wall Mount Rigid Gooseneck w/ 2.2 GPM VR Aerator, AC/DC Control Module w/ Internal Flow Control Setting Switches, Temperature Control Mixing Valve w/ Check Valve, 18" Hot & Cold Supply Stop Flexible Connector Hoses

**Product Compliance:**

ASME A112.18.1 / CSA B125.1  
ASME A112.19.3 / CSA B45.4 (Sink & Drain)  
NSF 61 - Section 9  
NSF 372 (Low Lead Content)  
UL 1951  
ANSI A117.1 (ADA)  
NSF / ANSI 2 (Sink & Drain)  
ASME A112.18.2 / CSA B125.2 (Drain)