



# Pre-Rinse Units

## S-0133-U12-CR-B

### EVERSTEEL

**EasyInstall**

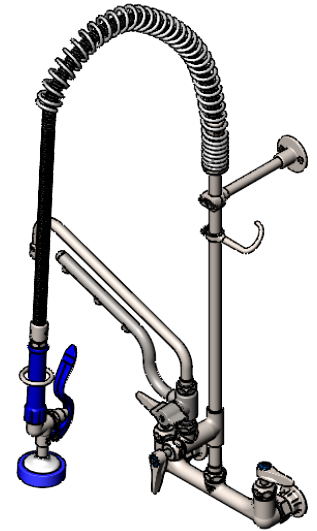
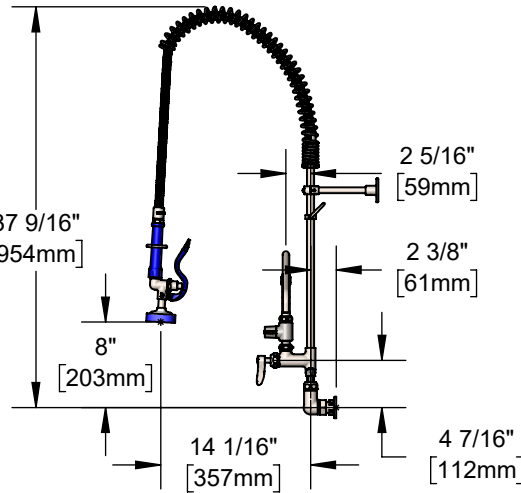
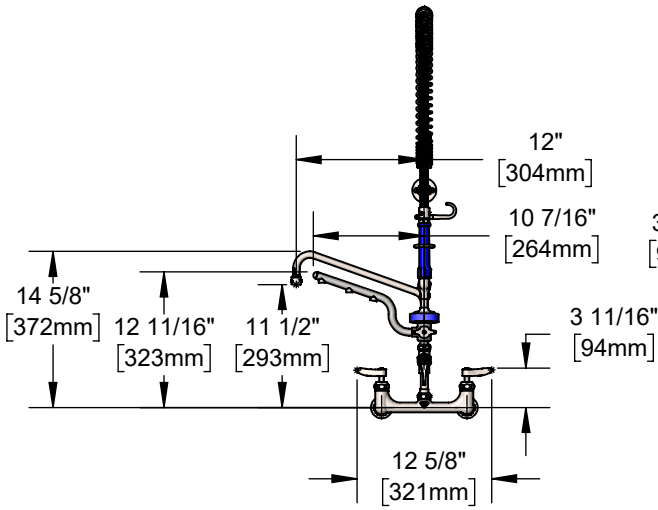
### Pre-Rinse Unit

TAG: 

#### Architect/Engineering Specifications:

8" wall mount mixing faucet with stainless steel body, stainless steel add-on faucet, stainless steel 12" swing nozzle with stream regulator outlet, stainless steel 18" riser, 44" flexible stainless steel hose with heat resistant handle, stainless steel 1.5 GPM 10 7/16" multiple tip spray arm, stainless steel 1.15 GPM blue spray valve, stainless steel ceramic cartridges with check valves, stainless steel lever handles, stainless steel 1/2" NPT female inlets, stainless steel 6" adjustable wall bracket, stainless steel spray valve holder and stainless steel overhead spring. Certified to ASME A112.18.1/CSA B125.1, NSF 61-Section 9 & NSF 372. 2019 DOE PRSV - Class II compliant.

Job Name \_\_\_\_\_  
 Model Specified \_\_\_\_\_ Quantity \_\_\_\_\_  
 Variations Specified \_\_\_\_\_  
 Date \_\_\_\_\_



#### Features & Benefits:

- All stainless steel construction with brushed finish
- 8" wall mount mixing faucet w/ stainless steel body
- Stainless steel EasyInstall add-on faucet
- Stainless steel 1.5 GPM 10 7/16" ULTRARINSE multiple tip spray arm
- Stainless steel 12" swing nozzle w/ stream regulator outlet, Series 1
- Stainless steel 18" rigid riser
- 44" flexible stainless steel hose with heat resistant blue handle and hold down ring
- Stainless steel 1.15 GPM blue spray valve
- Stainless steel quarter-turn Cerama cartridges with check valves to prevent cross flow of water
- Stainless steel lever handles w/ color coded indexes
- Stainless steel 1/2" NPT female eccentric inlets with Ø 2" flanges
- Adjustable centers from 7 3/4" to 8 1/4"
- Stainless steel 6" adjustable wall bracket
- Material: Stainless steel body, tubular spout, spray arm, add-on faucet, riser, spray valve, cartridges and handles

#### Product Compliance:

- ASME A112.18.1 / CSA B125.1
- NSF 61 - Section 9
- NSF 372 (Low Lead Content)
- 2019 DOE PRSV - Class II



**Warranty:** Lifetime (Limited)

#### Performance Data:

- Pressure: 20 - 125 psi [1.38-8.62 bar]
- Temperature: 40°F - 140°F [4.44°C - 60°C]
- Flow Rate:
  - Spray Valve: 1.15 GPM [4.35 L/min] @ 60 psi [4.14 bar]
  - Add-On Faucet: 4.51 GPM [17.07 L/min] @ 60 psi [4.14 bar]
  - Swivel Spray Arm: 1.5 GPM [5.68 L/min] @ 60 psi [4.14 bar]

#### Stainless Steel Optional Cartridges With Checks

- Quarter-Turn Cerama w/ Check Valve (Standard)
- Quarter-Turn Eterna w/ Spring Check

#### Stainless Steel Optional Pre-Rinse Spray Valve

- S-0107 (1.15 GPM) (Standard)
- S-0107-C (0.65 GPM)
- S-0107-J (1.07 GPM)
- S-0107-Y (1.15 GPM)

#### Stainless Steel Optional Handles

- 4" Wrist Action
- Lever (Standard)
- 4-Arm

#### Stainless Steel Optional Outlets (Series 1 / VR Series 6)

GPM	Aerated	VR Aerated
0.5	<input type="checkbox"/> N/A	<input type="checkbox"/> N/A
1.2	<input type="checkbox"/> N/A	<input type="checkbox"/> S-0199-06-F12
1.5	<input type="checkbox"/> N/A	<input type="checkbox"/> S-0199-06-F15
2.2	<input type="checkbox"/> S-0199-01	<input type="checkbox"/> N/A



T&S BRASS AND BRONZE WORKS, INC.



• 2 Saddleback Cove • Travelers Rest, SC 29690  
 Ph 800-476-4103 • Fax 864-834-3518  
 • Simi Valley, CA • Ph 800-423-0150 • www.tsbrass.com

Date: 08/03/24