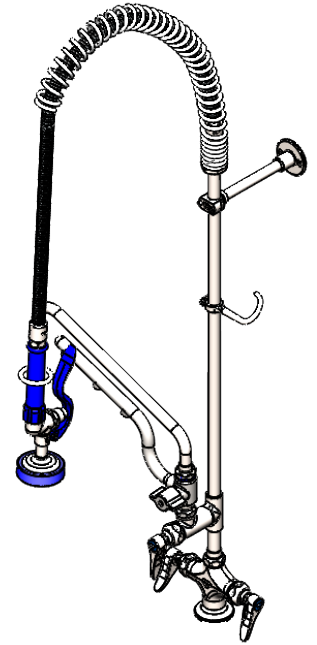
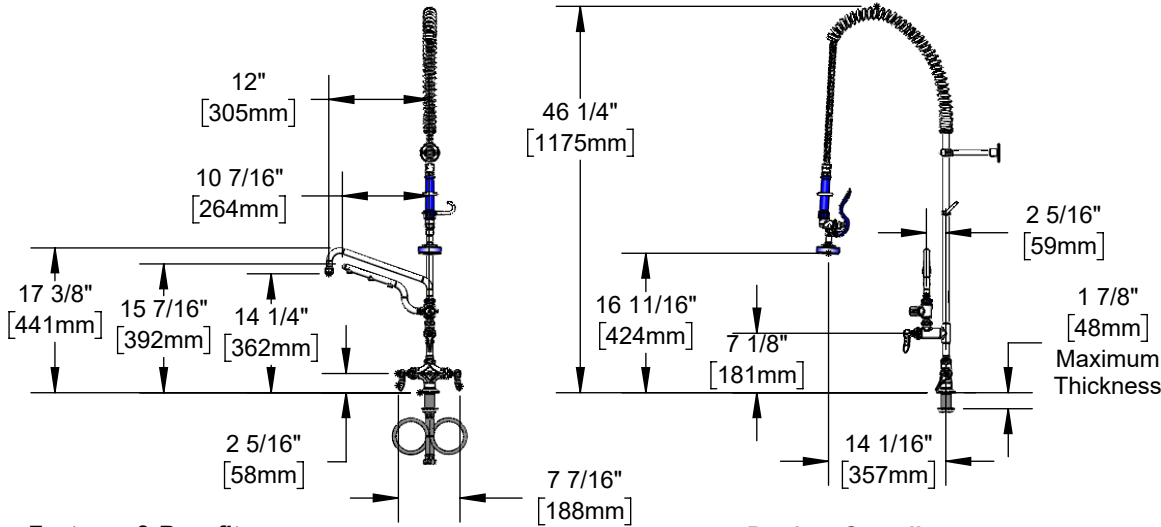




Architect/Engineering Specifications:

Single hole stainless steel deck mount mixing faucet, stainless steel add-on faucet, stainless steel 12" swing nozzle with stream regulator outlet, stainless steel 24" riser, 44" flexible stainless steel hose with heat resistant handle, stainless steel 1.15 GPM spray valve, 1.5 GPM 10 7/16" multiple tip spray arm, stainless steel compression cartridges with spring checks, stainless steel lever handles, 18" flexible stainless steel supply hoses with G1/2 female swivel connections, stainless steel 6" adjustable wall bracket, stainless steel spray valve holder, and stainless steel overhead spring. Certified to ASME A112.18.1/CSA B125.1, NSF 61-Section 9 and NSF 372. 2019 DOE PRSV - Class II compliant.

Job Name \_\_\_\_\_
Model Specified \_\_\_\_\_ Quantity \_\_\_\_\_
Variations Specified \_\_\_\_\_
Date \_\_\_\_\_



Features & Benefits:

- All stainless steel construction with brushed finish
Single hole deck mount mixing faucet w/ stainless steel body
Stainless steel EasyInstall add-on faucet
Stainless steel 1.5 GPM 10 7/16" ULTRARINSE multiple tip spray arm
Stainless steel 12" swing nozzle w/ stream regulator outlet, Series 1
Stainless steel 24" rigid riser
44" flexible stainless steel hose w/ heat resistant blue handle and hold down ring
Stainless steel 1.15 GPM spray valve
Stainless steel quarter-turn Eterna cartridges w/ spring checks to prevent cross flow of water
Stainless steel lever handles w/ color coded indexes
18" flexible stainless steel supply hoses w/ G1/2 female swivel connections (compatible w/ 1/2" NPSM threads)
Stainless steel 6" adjustable wall bracket
Material: Stainless steel body, tubular nozzle, spray arm, add-on faucet body, riser, spray valve, hose, cartridges and handles

Product Compliance:

- ASME A112.18.1 / CSA B125.1
NSF 61 - Section 9
NSF 372 (Low Lead Content)
2019 DOE PRSV - Class II



Warranty: Lifetime (Limited)



Performance Data:

- Pressure: 20 - 125 psi [1.38 - 8.62 bar]
Temperature: 40 °F - 140 °F [4.44 °C - 60 °C]
Flow Rate:
Spray Valve: 1.15 GPM [4.35 L/min] @ 60 psi [4.14 bar]
Add-On Faucet: 5.57 GPM [21.08 L/min] @ 60 psi [4.14 bar]
Spray Arm: 1.5 GPM [5.68 L/min] @ 60 psi [4.14 bar]

Stainless Steel Optional Cartridges With Checks

- Quarter-Turn Cerama w/ Check Valve
Quarter-Turn Eterna w/ Spring Check (Standard)

Optional Add-On Faucet Outlets (Series 1 / VR Series 6)

Table with 3 columns: GPM, Aerated, VR Aerated. Rows for 1.2, 1.5, and 2.2 GPM.

Stainless Steel Optional Handles

- 4" Wrist Action
Lever (Standard)
4-Arm

Stainless Steel Optional Pre-Rinse Spray Valve

- S-0107 (1.15 GPM) (Standard)
S-0107-C (0.65 GPM)
S-0107-J (1.07 GPM)
S-0107-Y (1.15 GPM)

