



Pre-Rinse Units

S-0113-U12-CR-B

TAG:

EVERSTEEL

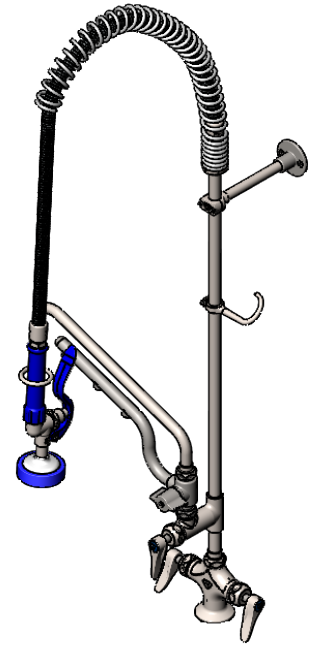
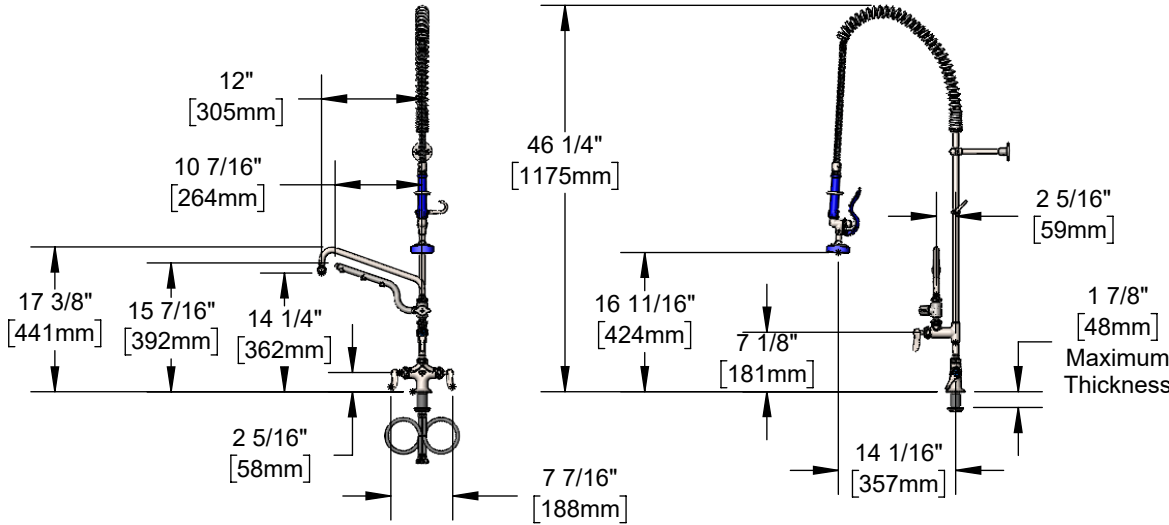
EasyInstall

Pre-Rinse Unit

Architect/Engineering Specifications:

Single hole stainless steel deck mount mixing faucet, stainless steel add-on faucet, stainless steel 12" swing nozzle with stream regulator outlet, stainless steel 1.5 GPM 10 7/16" multiple tip spray arm, stainless steel 24" riser, 44" flexible stainless steel hose with heat resistant handle, stainless steel 1.15 GPM spray valve, stainless steel ceramic cartridges with check valves, stainless steel lever handles, 18" flexible stainless steel supply hoses with G1/2 female swivel connections, stainless steel 6" adjustable wall bracket, stainless steel spray valve holder and stainless steel overhead spring. Certified to ASME A112.18.1/CSA B125.1, NSF 61-Section 9 and NSF 372. 2019 DOE PRSV - Class II compliant.

Job Name _____
 Model Specified _____ Quantity _____
 Variations Specified _____
 Date _____



Features & Benefits:

- All stainless steel construction with brushed finish
- Single hole deck mount mixing faucet w/ stainless steel body
- Stainless steel EasyInstall add-on faucet
- Stainless steel 1.5 GPM 10 7/16" ULTRARINSE multiple tip spray arm
- Stainless steel 12" swing nozzle w/ stream regulator outlet, Series 1
- Stainless steel 24" rigid riser
- 44" flexible stainless steel hose w/ heat resistant blue handle and hold down ring
- Stainless steel 1.15 GPM spray valve
- Stainless steel quarter-turn Cerama cartridges w/ check valves to prevent cross flow of water
- Stainless steel lever handles w/ color coded indexes
- 18" flexible stainless steel supply hoses w/ G1/2 female swivel connections (compatible w/ 1/2" NPSM threads)
- Stainless steel 6" adjustable wall bracket
- Material: Stainless steel body, nozzle, add-on faucet body riser, spray valve, spray arm, hose, cartridges and handles

Product Compliance:

- ASME A112.18.1 / CSA B125.1
- NSF 61 - Section 9
- NSF 372 (Low Lead Content)
- 2019 DOE PRSV - Class II



Warranty: Lifetime (Limited)



Performance Data:

- Pressure: 20 - 125 psi [1.38 - 8.62 bar]
- Temperature: 40°F - 140°F [4.44°C - 60°C]
- Flow Rate:
 - Spray Valve: 1.15 GPM [4.35 L/min] @ 60 psi [4.14 bar]
 - Add-On Faucet: 4.51 GPM [17.07 L/min] @ 60 psi [4.14 bar]
 - Spray Arm: 1.5 GPM [4.35 L/min] @ 60 psi [4.14 bar]

Stainless Steel Optional Cartridges With Checks

- Quarter-Turn Cerama w/ Check Valve (Standard)
- Quarter-Turn Eterna w/ Spring Check

Optional Add-On Faucet Outlets (Series 1 / VR Series 6)

| GPM | Aerated | VR Aerated |
|-----|------------------------------------|--|
| 1.2 | <input type="checkbox"/> N/A | <input type="checkbox"/> B-0199-06-F12 |
| 1.5 | <input type="checkbox"/> N/A | <input type="checkbox"/> B-0199-06-F15 |
| 2.2 | <input type="checkbox"/> S-0199-01 | <input type="checkbox"/> N/A |

Stainless Steel Optional Handles

- 4" Wrist Action
- Lever (Standard)
- 4-Arm

Stainless Steel Optional Pre-Rinse Spray Valve

- S-0107 (1.15 GPM) (Standard)
- S-0107-C (0.65 GPM)
- S-0107-J (1.07 GPM)
- S-0107-Y (1.15 GPM)



T&S BRASS AND BRONZE WORKS, INC.



• 2 Saddleback Cove • Travelers Rest, SC 29690
 Ph 800-476-4103 • Fax 864-834-3518
 • Simi Valley, CA • Ph 800-423-0150 • www.tsbrass.com

Date: 08/03/24