



T&S BRASS AND BRONZE WORKS, INC.
 2 Saddleback Cove / P.O. Box 1088
 Travelers Rest, SC 29690

Model No.

S-0230-U18-CR

Item No.

Travelers Rest, SC: 800-476-4103 • Simi Valley, CA: 800-423-0150 • Fax: 864-834-3518 • www.tsbrass.com

EVERSTEEL

This Space for Architect/Engineer Approval

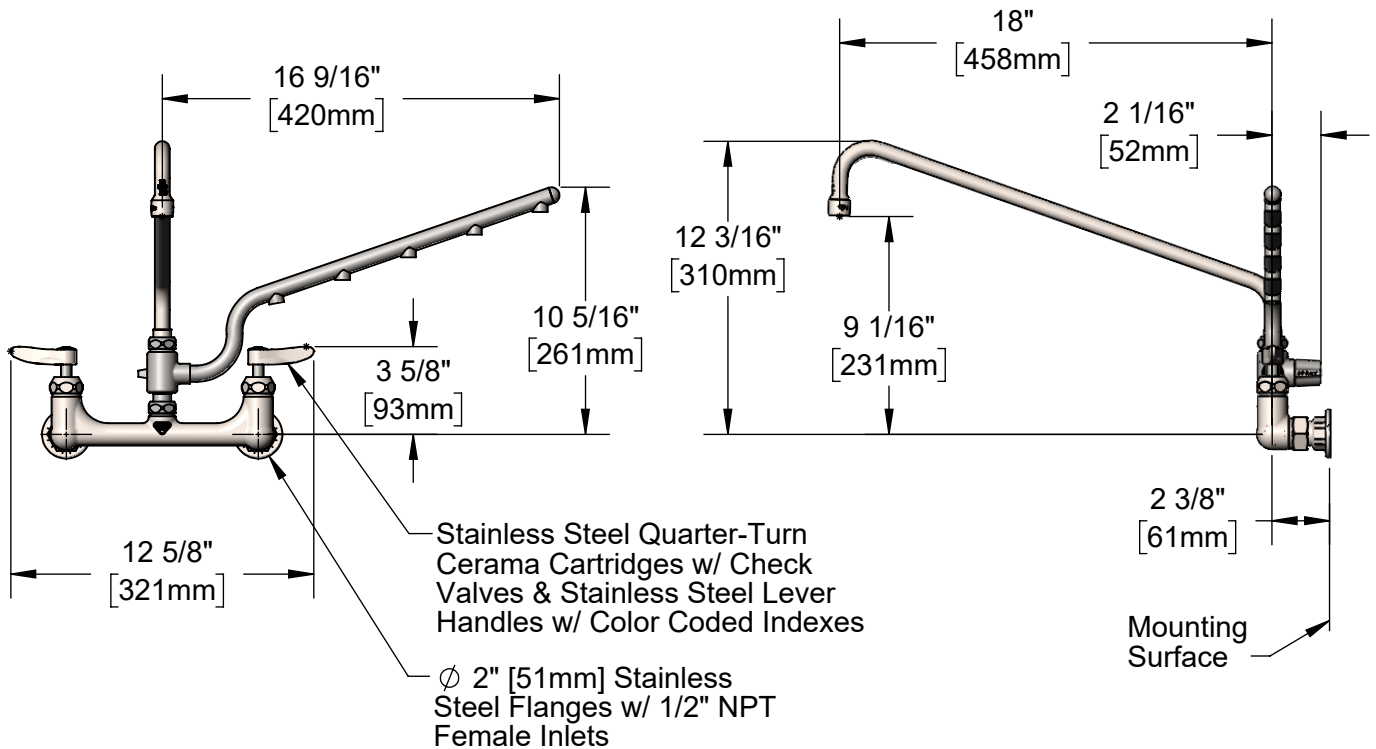
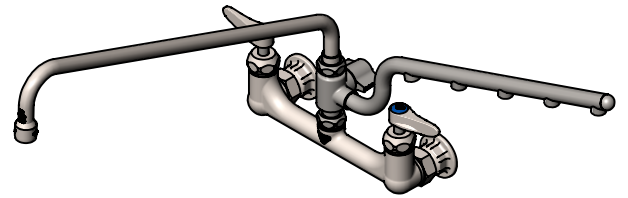
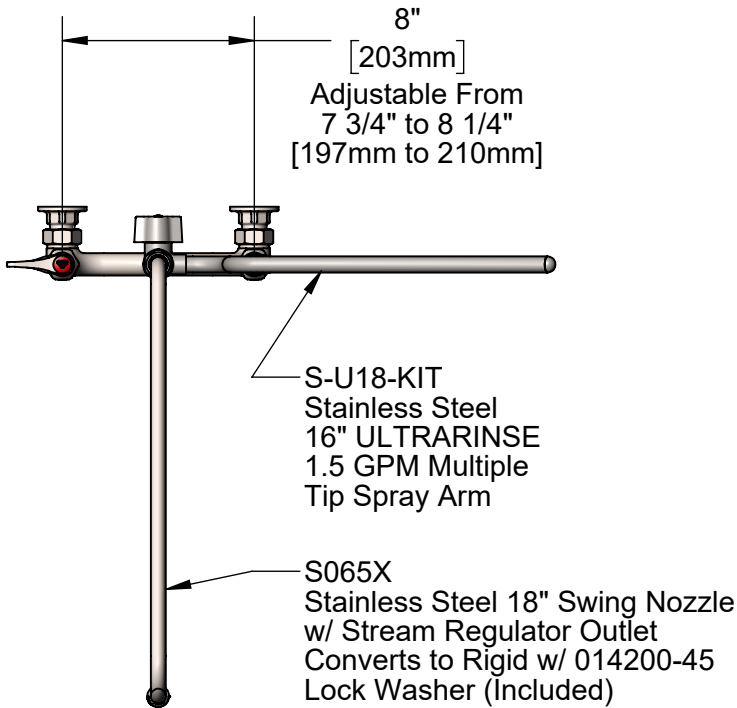
Job Name _____ Date _____

Model Specified _____ Quantity _____

Customer/Wholesaler _____

Contractor _____

Architect/Engineer _____



Product Specifications:

8" Stainless Steel Wall Mount Mixing Faucet w/ SS Quarter-Turn Cerama Cartridges w/ Check Valves, SS Lever Handles, SS 18" Swing Nozzle w/ Stream Regulator Outlet, SS 1.5 GPM 16" ULTRARINSE Multiple Tip Spray Arm & SS 1/2" NPT Female Inlets

Product Compliance:

ASME A112.18.1 / CSA B125.1
 NSF 61 - Section 9
 NSF 372 (Low Lead Content)
 ANSI A117.1 (ADA)



T&S BRASS AND BRONZE WORKS, INC.

2 Saddleback Cove / P.O. Box 1088
Travelers Rest, SC 29690

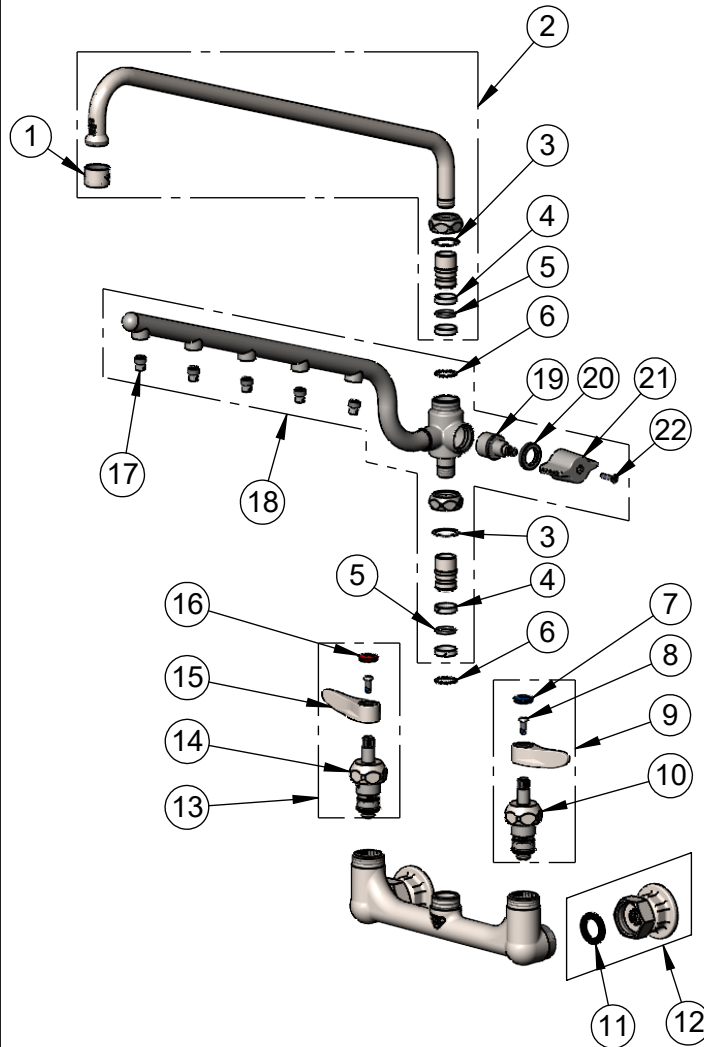
Model No.

S-0230-U18-CR

Item No.

Travelers Rest, SC: 800-476-4103 • Simi Valley, CA: 800-423-0150 • Fax: 864-834-3518 • www.tsbrass.com

	ITEM NO.	SALES NO.	DESCRIPTION
	1	S-PT	Stainless Steel Full Flow Stream Regulator, 55/64-27
	2	S065X	Stainless Steel 18" Swing Nozzle
	3	009538-45	Swivel Washer
	4	021087-45	Swivel Sleeves (2)
	5	001074-45	O-Ring, Size 7.5mm x 2mm, EPDM
	6	014200-45	Star Washer, Anti-Rotation
	7	018506-19NS	Blue Button Index, Press-in
	8	000925-45	Lab Handle Screw
	9	S012447-30NS	Stainless Steel Quarter-Turn Cerama Cartridge w/ Check Valve, Handle, Blue Index & Screw, LTC
	10	S012395-30NS	Stainless Steel Quarter-Turn Cerama Cartridge w/ Check Valve, LTC
	11	010569-45	Washer, Inlet Flange Coupling (UK)
	12	S00AA	Stainless Steel 1/2" NPT Female Eccentric Flange
	13	S012446-30NS	Stainless Steel Quarter-Turn Cerama Cartridge w/ Check Valve, Handle, Red Index & Screw, RTC
	14	S012394-30NS	Stainless Steel Quarter-Turn Cerama Cartridge w/ Check Valve, RTC
	15	S001638-30NS	Lever Handle (New Style)
	16	001193-19NS	Red Button Index, Press-in
	17	020666-25	0.3 GPM Spray Tip, SS
	18	S-U18-KIT	ULTRARINSE 16" SS Tip Swivel Spray Arm, 1.5 GPM
	19	S020641-20	ULTRARINSE SS Diverter Cartridge
	20	S020645-20	SS Diverter Cartridge Nut
	21	S020642-30	ULTRARINSE SS Diverter Handle
	22	020669-45	M4 Screw, 17mm Long



Product Specifications:
8" Stainless Steel Wall Mount Mixing Faucet w/ SS Quarter-Turn Cerama Cartridges w/ Check Valves, SS Lever Handles, SS 18" Swing Nozzle w/ Stream Regulator Outlet, SS 1.5 GPM 16" ULTRARINSE Multiple Tip Spray Arm & SS 1/2" NPT Female Inlets

Product Compliance:
ASME A112.18.1 / CSA B125.1
NSF 61 - Section 9
NSF 372 (Low Lead Content)
ANSI A117.1 (ADA)