



T&S BRASS AND BRONZE WORKS, INC.
 2 Saddleback Cove / P.O. Box 1088
 Travelers Rest, SC 29690

Model No.
S-0133-U12-B

Item No.

Travelers Rest, SC: 800-476-4103 • Simi Valley, CA: 800-423-0150 • Fax: 864-834-3518 • www.tsbrass.com

EVERSTEEL

This Space for Architect/Engineer Approval

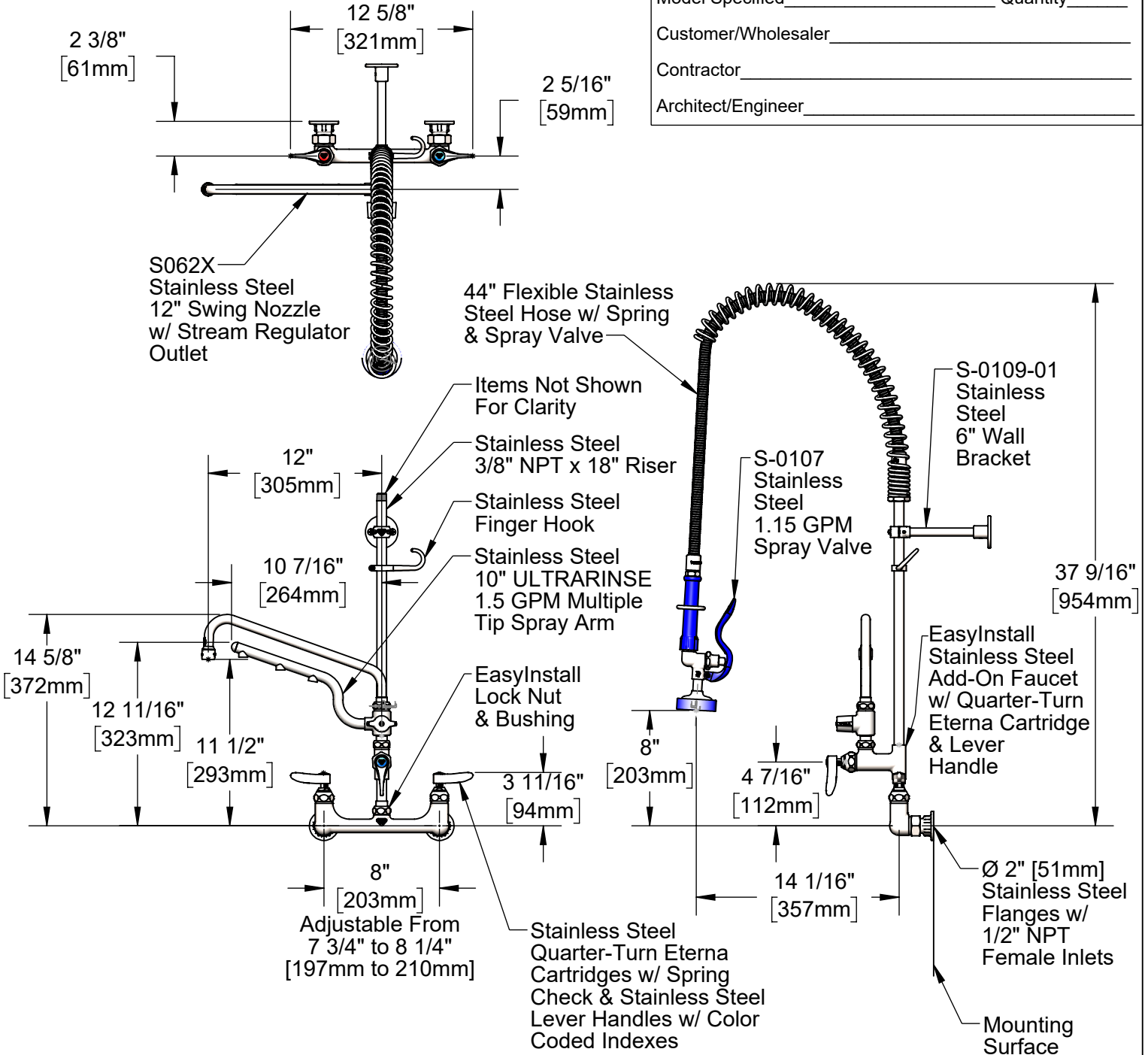
Job Name _____ Date _____

Model Specified _____ Quantity _____

Customer/Wholesaler _____

Contractor _____

Architect/Engineer _____



Product Specifications:

Pre-Rinse Unit: EasyInstall 8" Stainless Steel Wall Mount Mixing Faucet, SS Quarter-Turn Eterna Cartridges w/ Spring Checks, SS Lever Handles, SS Add-On Faucet, SS 12" Swing Nozzle, SS 1.5 GPM 10" Multiple Tip Spray Arm, 44" Flexible Stainless Steel Hose, SS 1.15 GPM Spray Valve, SS 6" Wall Bracket & SS 1/2" NPT Female Inlets

Product Compliance:

ASME A112.18.1 / CSA B125.1
 NSF 61 - Section 9
 NSF 372 (Low Lead Content)
 2019 DOE PRSV - Class II



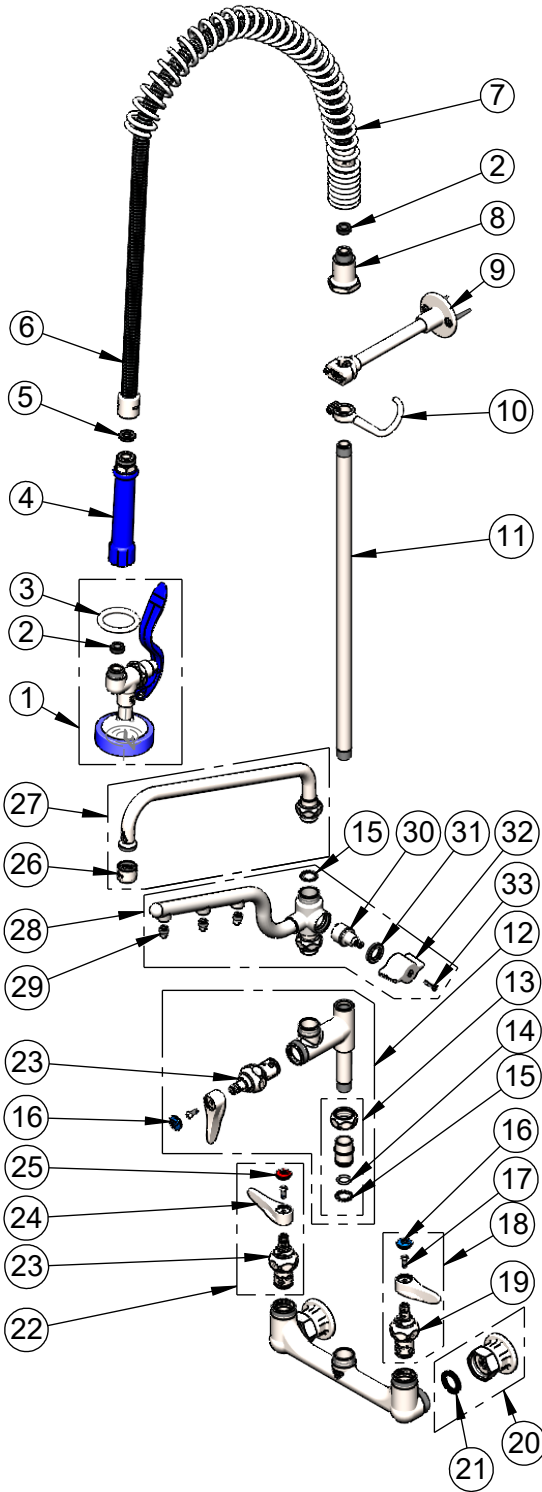
T&S BRASS AND BRONZE WORKS, INC.

2 Saddleback Cove / P.O. Box 1088
Travelers Rest, SC 29690

Model No.
S-0133-U12-B

Item No.

Travelers Rest, SC: 800-476-4103 • Simi Valley, CA: 800-423-0150 • Fax: 864-834-3518 • www.tsbrass.com



ITEM NO.	SALES NO.	DESCRIPTION
1	S-0107	Stainless Steel 1.15 GPM Spray Valve (Blue)
2	010476-45	#27 Washer
3	S000907-30	SS Spray Valve Hold Down Ring
4	S011482-30	Stainless Steel Grip Handle (Blue)
5	001014-45	Washer, Hose Barrel
6	S-0044-H2A	44" Flexible Stainless Steel Hose, Less Handle
7	S000888-30	SS EasyInstall Overhead Spring
8	S000821-30	Stainless Steel Spring Body
9	S-0109-01	Stainless Steel 6" Wall Bracket
10	S004R	Stainless Steel Finger Hook
11	S000369-30	Stainless Steel 3/8" NPT x 18" Riser
12	S-0155-LNEZ	Stainless Steel EasyInstall Add-On Faucet w/ Quarter-Turn Eterna Cartridge & Lever Handle, Less Nozzle
13	SEZ-K	Stainless Steel EasyInstall Kit: Nut, Bushing, O-Ring & Lock Washer
14	001065-45	O-Ring
15	014200-45	Star Washer, Anti-Rotation
16	018506-19NS	Blue Button Index, Press-in
17	000925-45	Lab Handle Screw
18	S002711-30NS	Stainless Steel Quarter-Turn Eterna Cartridge w/ Spring Check, Handle, Blue Index & Screw, LTC
19	S012442-30NS	Stainless Steel Quarter-Turn Eterna Cartridge w/ Spring Check, LTC
20	S00AA	SS 1/2" NPT Female Eccentric Flange
21	010569-45	Washer, Inlet Flange Coupling (UK)
22	S002712-30NS	Stainless Steel Quarter-Turn Eterna Cartridge w/ Spring Check, Handle, Red Index & Screw, RTC
23	S012443-30NS	Stainless Steel Quarter-Turn Eterna Cartridge w/ Spring Check, RTC
24	S001638-30NS	Lever Handle (New Style)
25	001193-19NS	Red Button Index, Press-in
26	S-PT	SS Full Flow Stream Regulator, 55/64-27
27	S062X	Stainless Steel 12" Swing Nozzle w/ Stream Regulator Outlet
28	S-U12-KIT	ULTRARINSE 10" SS Swivel Spray Arm, 1.5 GPM
29	020667-25	0.5 GPM Spray Tip, SS
30	S020641-20	ULTRARINSE SS Diverter Cartridge
31	S020645-20	SS Diverter Cartridge Nut
32	S020642-30	ULTRARINSE SS Diverter Handle
33	020669-45	M4 Screw, 17mm Long

Product Specifications:

Pre-Rinse Unit: EasyInstall 8" Stainless Steel Wall Mount Mixing Faucet, SS Quarter-Turn Eterna Cartridges w/ Spring Checks, SS Lever Handles, SS Add-On Faucet, SS 12" Swing Nozzle, SS 1.5 GPM 10" Multiple Tip Spray Arm, 44" Flexible Stainless Steel Hose, SS 1.15 GPM Spray Valve, SS 6" Wall Bracket & SS 1/2" NPT Female Inlets

Product Compliance:

ASME A112.18.1 / CSA B125.1
NSF 61 - Section 9
NSF 372 (Low Lead Content)
2019 DOE PRSV - Class II