



# T&S BRASS AND BRONZE WORKS, INC.

2 Saddleback Cove / P.O. Box 1088  
Travelers Rest, SC 29690

Model No.

**S-0231-U12**

Item No.

Travelers Rest, SC: 800-476-4103 • Simi Valley, CA: 800-423-0150 • Fax: 864-834-3518 • www.tsbrass.com

## EVERSTEEL™



**ADA Compliant**

This Space for Architect/Engineer Approval

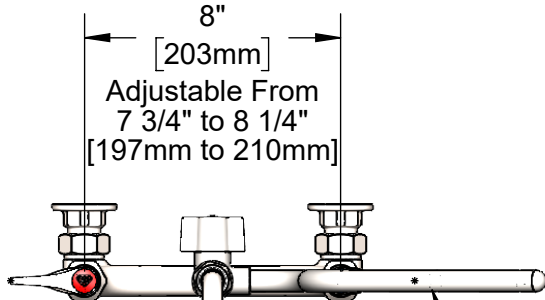
Job Name \_\_\_\_\_ Date \_\_\_\_\_

Model Specified \_\_\_\_\_ Quantity \_\_\_\_\_

Customer/Wholesaler \_\_\_\_\_

Contractor \_\_\_\_\_

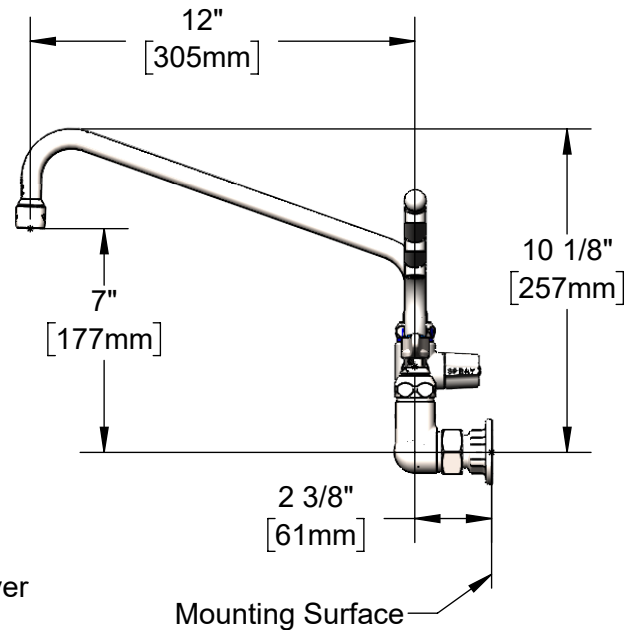
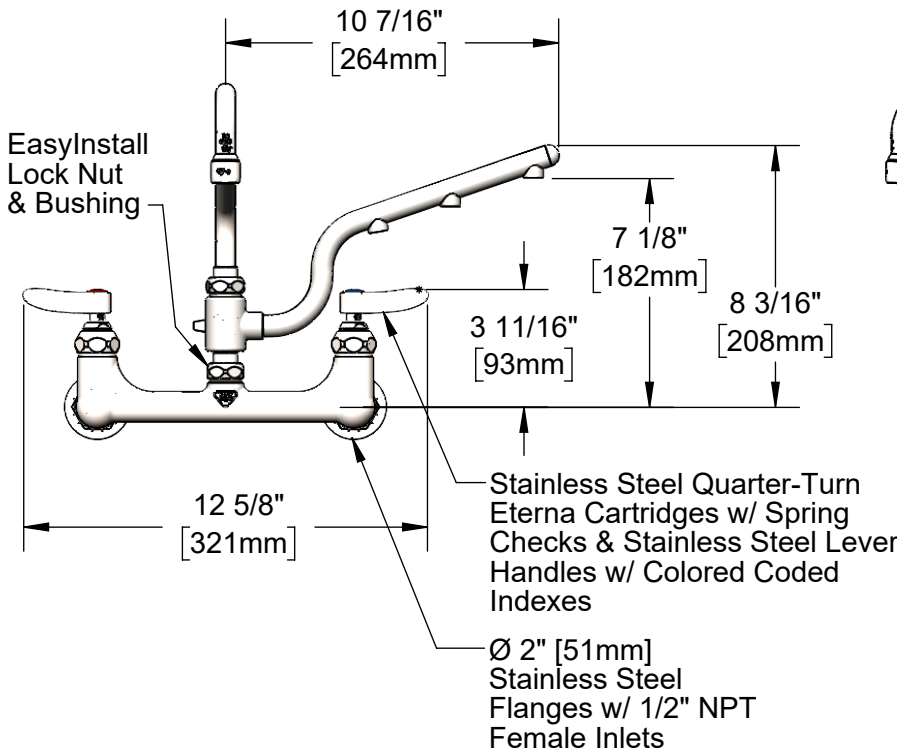
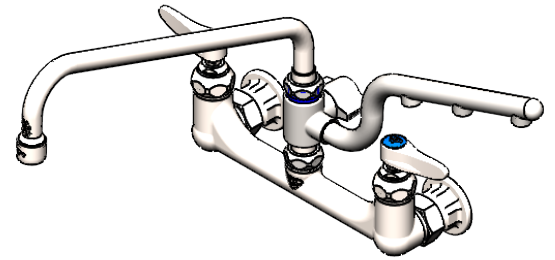
Architect/Engineer \_\_\_\_\_



Adjustable From  
7 3/4" to 8 1/4"  
[197mm to 210mm]

S-U12-KIT  
Stainless Steel  
10" ULTRARINSE  
1.5 GPM Multiple Tip  
Spray Arm

S062X  
Stainless Steel 12" Swing Nozzle  
w/ Stream Regulator Outlet.  
Converts to Rigid w/ 014200-45  
Lock Washer (Included).



### Product Specifications:

8" Stainless Steel Wall Mount Mixing Faucet w/ SS Quarter-Turn Eterna Cartridges w/ Spring Checks, SS Lever Handles, SS 12" Swing Nozzle, SS 1.5 GPM 10" ULTRARINSE Multiple Tip Spray Arm & SS 1/2" NPT Female Inlets

### Product Compliance:

ASME A112.18.1 / CSA B125.1  
NSF 61 - Section 9  
NSF 372 (Low Lead Content)  
ANSI A117.1 (ADA)



# T&S BRASS AND BRONZE WORKS, INC.

2 Saddleback Cove / P.O. Box 1088  
Travelers Rest, SC 29690

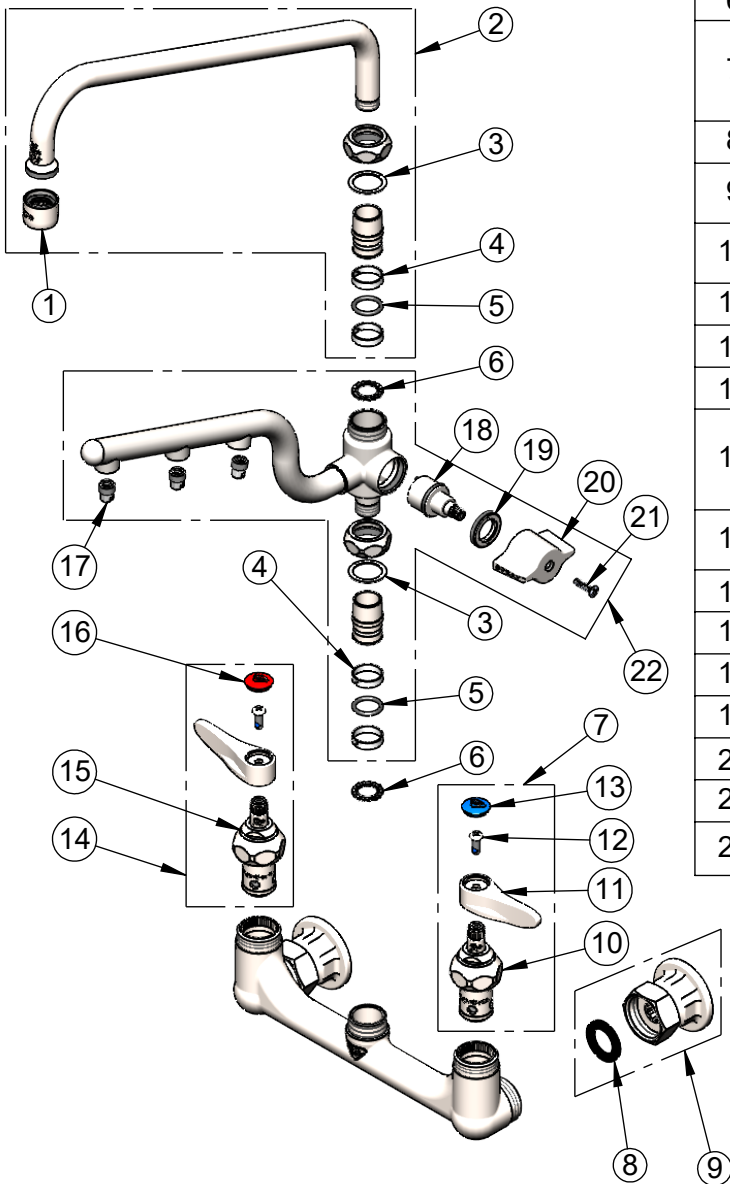
Model No.

**S-0231-U12**

Item No.

Travelers Rest, SC: 800-476-4103 • Simi Valley, CA: 800-423-0150 • Fax: 864-834-3518 • www.tsbrass.com

ITEM NO.	SALES NO.	DESCRIPTION
1	S-PT	Stainless Steel Full Flow Stream Regulator, 55/64-27
2	S062X	Stainless Steel 12" Swing Nozzle
3	009538-45	Swivel Washer
4	021087-45	Swivel Sleeves (2)
5	001074-45	O-Ring
6	014200-45	Star Washer, Anti-Rotation
7	S002711-30NS	Stainless Steel Quarter-Turn Eterna Cartridge w/ Spring Check, Handle, Blue Index & Screw, LTC
8	010569-45	Washer, Inlet Flange Coupling (UK)
9	S00AA	Stainless Steel 1/2" NPT Female Eccentric Flange
10	S012442-30NS	Stainless Steel Quarter-Turn Eterna Cartridge w/ Spring Check, LTC
11	S001638-30NS	Lever Handle (New Style)
12	000925-45	Lab Handle Screw
13	018506-19NS	Blue Button Index, Press-in
14	S002712-30NS	Stainless Steel Quarter-Turn Eterna Cartridge w/ Spring Check, Handle, Red Index & Screw, RTC
15	S012443-30NS	Stainless Steel Quarter-Turn Eterna Cartridge w/ Spring Check, RTC
16	001193-19NS	Red Button Index, Press-in
17	020667-25	0.5 GPM Spray Tip, Stainless Steel
18	S020641-20	ULTRARINSE SS Diverter Cartridge
19	S020645-20	Stainless Steel Diverter Cartridge Nut
20	S020642-30	ULTRARINSE SS Diverter Handle
21	020669-45	M4 Screw, 17mm Long
22	S-U12-KIT	ULTRARINSE 10" SS Swivel Spray Arm, 1.5 GPM



**Product Specifications:**

8" Stainless Steel Wall Mount Mixing Faucet w/ SS Quarter-Turn Eterna Cartridges w/ Spring Checks, SS Lever Handles, SS 12" Swing Nozzle, SS 1.5 GPM 10" ULTRARINSE Multiple Tip Spray Arm & SS 1/2" NPT Female Inlets

**Product Compliance:**

ASME A112.18.1 / CSA B125.1  
NSF 61 - Section 9  
NSF 372 (Low Lead Content)  
ANSI A117.1 (ADA)