



T&S BRASS AND BRONZE WORKS, INC.
 2 Saddleback Cove / P.O. Box 1088
 Travelers Rest, SC 29690

Model No.
B-0712-WS

Item No.

Travelers Rest, SC: 800-476-4103 • Simi Valley, CA: 800-423-0150 • Fax: 864-834-3518 • www.tsbrass.com



ADA Compliant

This Space for Architect/Engineer Approval

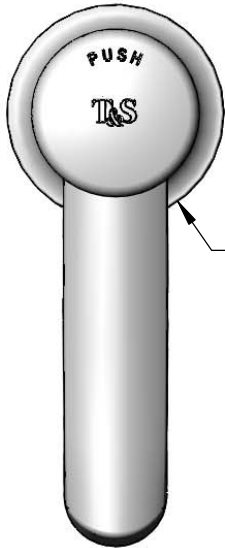
Job Name _____ Date _____

Model Specified _____ Quantity _____

Customer/Wholesaler _____

Contractor _____

Architect/Engineer _____



ϕ 2 1/4"
 [57mm]
 Base



Spanner Bit for Access to
 Metering Adjustment Included.
 (Metering Adjustment
 Requires 3/32" Hex Key)



Push Button
 Metering Cartridge

B-0199-03-WS
 1.5 GPM
 Aerator

4 1/16"
 [103mm]

4 5/8"
 [118mm]

1 5/16"
 [34mm]

Mounting
 Surface

2 5/16"
 [59mm]

1/2" NPSM
 Male Inlet

13/16"
 [21mm]
 Maximum
 Thickness

150A
 Optional Tailpiece & Nut
 For 1/4" NPT Connection
 (Included)

Rough-In Requirement:
 ϕ 1 1/8" [29mm] Mounting Hole

Product Specifications:
 Single Hole Single Temperature Deck Mount Basin Faucet, Push Button
 Metering Cartridge, 1.5 GPM Aerator & 1/2" NPSM Male Inlet

Product Compliance:
 ASME A112.18.1 / CSA B125.1
 NSF 61 - Section 9
 NSF 372 (Low Lead Content)
 ANSI A117.1 (ADA)



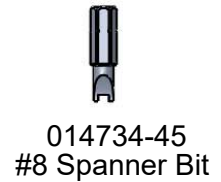
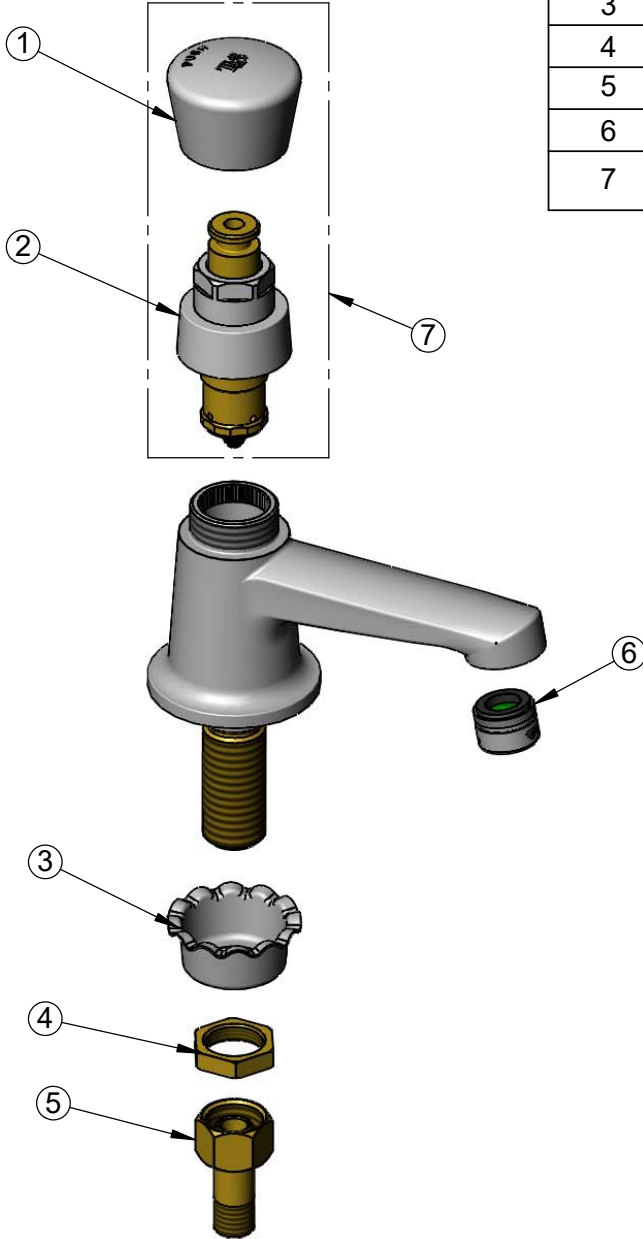
T&S BRASS AND BRONZE WORKS, INC.
 2 Saddleback Cove / P.O. Box 1088
 Travelers Rest, SC 29690

Model No.
B-0712-WS

Item No.

Travelers Rest, SC: 800-476-4103 • Simi Valley, CA: 800-423-0150 • Fax: 864-834-3518 • www.tsbrass.com

ITEM NO.	SALES NO.	DESCRIPTION
1	014193-40	Blank Push Button Cap w/ Spanner Bit
2	238A	Push Button Metering Cartridge
3	001000-45	Rosette Washer
4	002954-45	Shank Lock Nut
5	150A	1/4" NPT Tailpiece & Nut
6	B-0199-03-WS	1.5 GPM Aerator, 13/16-27 Male
7	238AB	Metering Cartridge w/ Blank Push Button Cap & Spanner Bit



Product Specifications:
 Single Hole Single Temperature Deck Mount Basin Faucet, Push Button Metering Cartridge, 1.5 GPM Aerator & 1/2" NPSM Male Inlet

Product Compliance:
 ASME A112.18.1 / CSA B125.1
 NSF 61 - Section 9
 NSF 372 (Low Lead Content)
 ANSI A117.1 (ADA)