



# T&S BRASS AND BRONZE WORKS, INC.

2 Saddleback Cove / P.O. Box 1088  
Travelers Rest, SC 29690

Model No.

**S-U12-KIT**

Item No.

Travelers Rest, SC: 800-476-4103 • Simi Valley, CA: 800-423-0150 • Fax: 864-834-3518 • www.tsbrass.com

This Space for Architect/Engineer Approval

Job Name \_\_\_\_\_ Date \_\_\_\_\_

Model Specified \_\_\_\_\_ Quantity \_\_\_\_\_

Customer/Wholesaler \_\_\_\_\_

Contractor \_\_\_\_\_

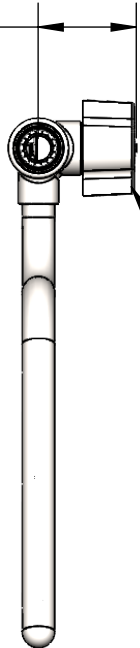
Architect/Engineer \_\_\_\_\_



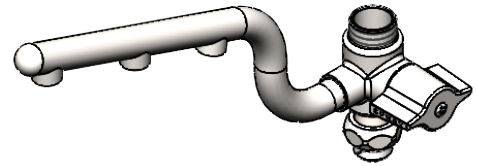
**ADA Compliant**

**EVERSTEEL**

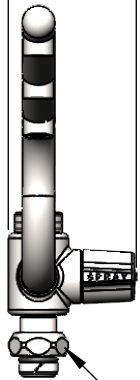
2 1/16"  
[52mm]



Stainless Steel 180°  
Cartridge switches  
between Spray Arm  
and Swing Nozzle



2 11/16"  
[68mm]

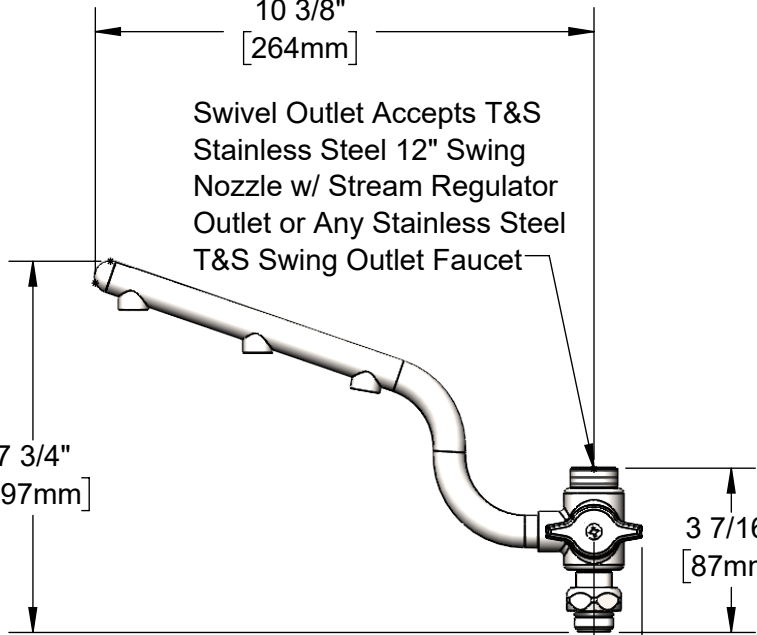


Stainless Steel Swivel  
Nut Fits All Standard T&S  
Stainless Steel Swivel Outlets

10 3/8"  
[264mm]

Swivel Outlet Accepts T&S  
Stainless Steel 12" Swing  
Nozzle w/ Stream Regulator  
Outlet or Any Stainless Steel  
T&S Swing Outlet Faucet

7 3/4"  
[197mm]



3 7/16"  
[87mm]

1"  
[25mm]

Product Specifications:  
Stainless Steel 1.5 GPM 10" ULTRARINSE Multiple Tip Spray Arm

Product Compliance:  
ASME A112.181 / CSA B125.1  
NSF 61 - Section 9  
NSF 372 (Low Lead Content)  
ANSI A117.1 (ADA)



# T&S BRASS AND BRONZE WORKS, INC.

2 Saddleback Cove / P.O. Box 1088  
Travelers Rest, SC 29690

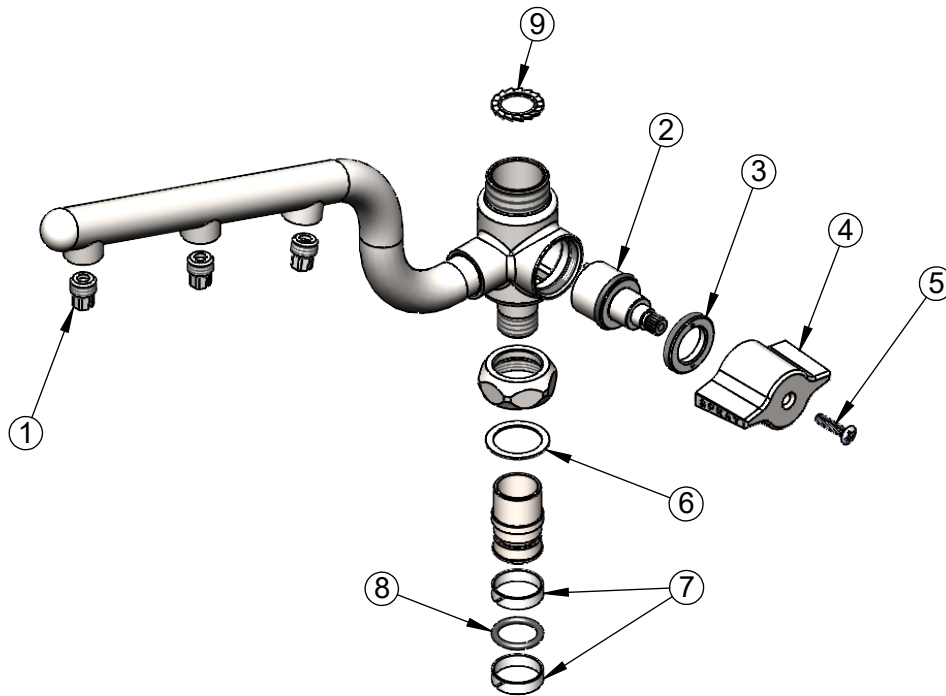
Model No.

**S-U12-KIT**

Item No.

Travelers Rest, SC: 800-476-4103 • Simi Valley, CA: 800-423-0150 • Fax: 864-834-3518 • www.tsbrass.com

ITEM NO.	SALES NO.	DESCRIPTION
1	020667-25	0.5 GPM Spray Tip, SS
2	S020641-20	ULTRARINSE SS Diverter Cartridge
3	S020645-20	SS Diverter Cartridge Nut
4	S020642-30	ULTRARINSE SS Diverter Handle
5	020669-45	M4 Screw, 17mm Long
6	009538-45	Swivel Washer
7	021087-45	Swivel Sleeves (2)
8	001074-45	O-Ring
9	014200-45	Star Washer, Anti-Rotation



Product Specifications:  
Stainless Steel 1.5 GPM 10" ULTRARINSE Multiple Tip Spray Arm

Product Compliance:  
ASME A112.181 / CSA B125.1  
NSF 61 - Section 9  
NSF 372 (Low Lead Content)  
ANSI A117.1 (ADA)