



Add-On Faucets

S-U18-KIT

EVERSTEEL

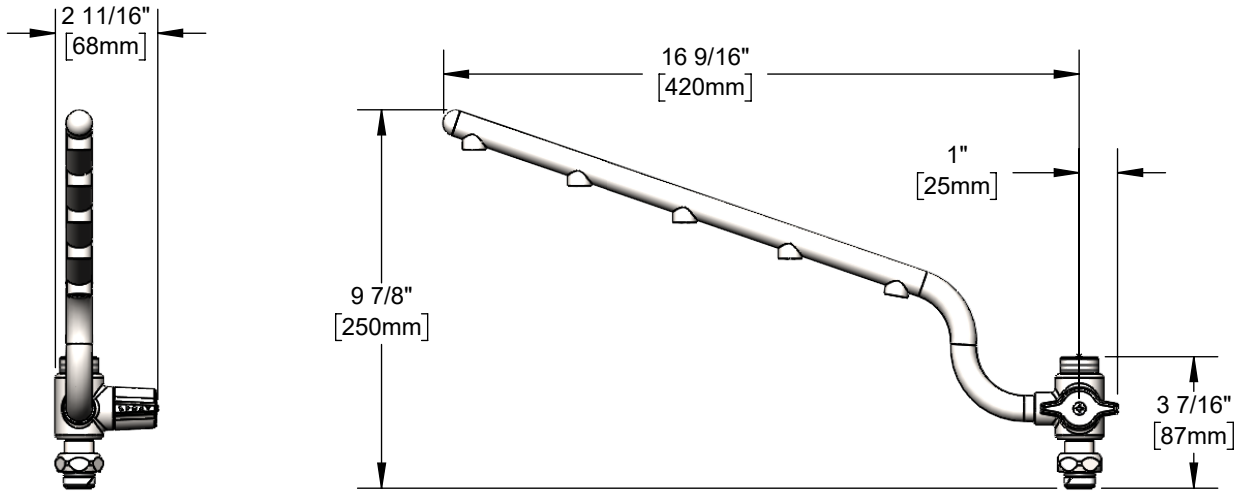
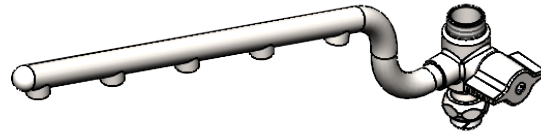
16" ULTRARINSE Multiple Tip Spray Arm

TAG:

Architect/Engineering Specifications:

Stainless steel 1.5 GPM 16 9/16" multiple tip spray arm, stainless steel 180° diverter & spray/fill handle. Certified to ASME A112.18.1 / CSA B125.1, NSF 61-Section 9 and NSF 372. Meets ADA ANSI/ICC A117.1 requirements.

Job Name _____
 Model Specified _____ Quantity _____
 Variations Specified _____
 Date _____



Features & Benefits:

- All stainless steel construction with brushed finish
- Stainless steel 1.5 GPM 16 9/16" ULTRARINSE multiple tip spray arm
- Stainless steel 180° cartridge switches between spray arm and swing nozzle
- For use with any stainless steel swivel T&S outlet faucet or swing nozzle (18" swing nozzle preferred)
- Material: Stainless steel body, spray arm, cartridge and handle

Product Compliance:

- ASME A112.181/CSA B125.1
- NSF 61 - Section 9
- NSF 372 (Low Lead Content)
- ANSI A117.1 (ADA)

Warranty: Lifetime (Limited)

Performance Data:

- Pressure: 20 - 125 psi [1.38 - 8.62 bar]
- Temperature: 40°F - 140°F [4.44°C - 60°C]
- Flow Rate:
Spray Arm: 1.5 GPM [5.68 L/min] @ 60 psi [4.14 bar]



ADA Compliant



T&S BRASS AND BRONZE WORKS, INC.



• 2 Saddleback Cove • Travelers Rest, SC 29690
 Ph 800-476-4103 • Fax 864-834-3518
 • Simi Valley, CA • Ph 800-423-0150 • www.tsbrass.com

Date: 08/03/24