



T&S BRASS AND BRONZE WORKS, INC.

2 Saddleback Cove / P.O. Box 1088
Travelers Rest, SC 29690

Model No.

S-0201-U12

Item No.

Travelers Rest, SC: 800-476-4103 • Simi Valley, CA: 800-423-0150 • Fax: 864-834-3518 • www.tsbrass.com

EVERSTEEL™



ADA Compliant

This Space for Architect/Engineer Approval

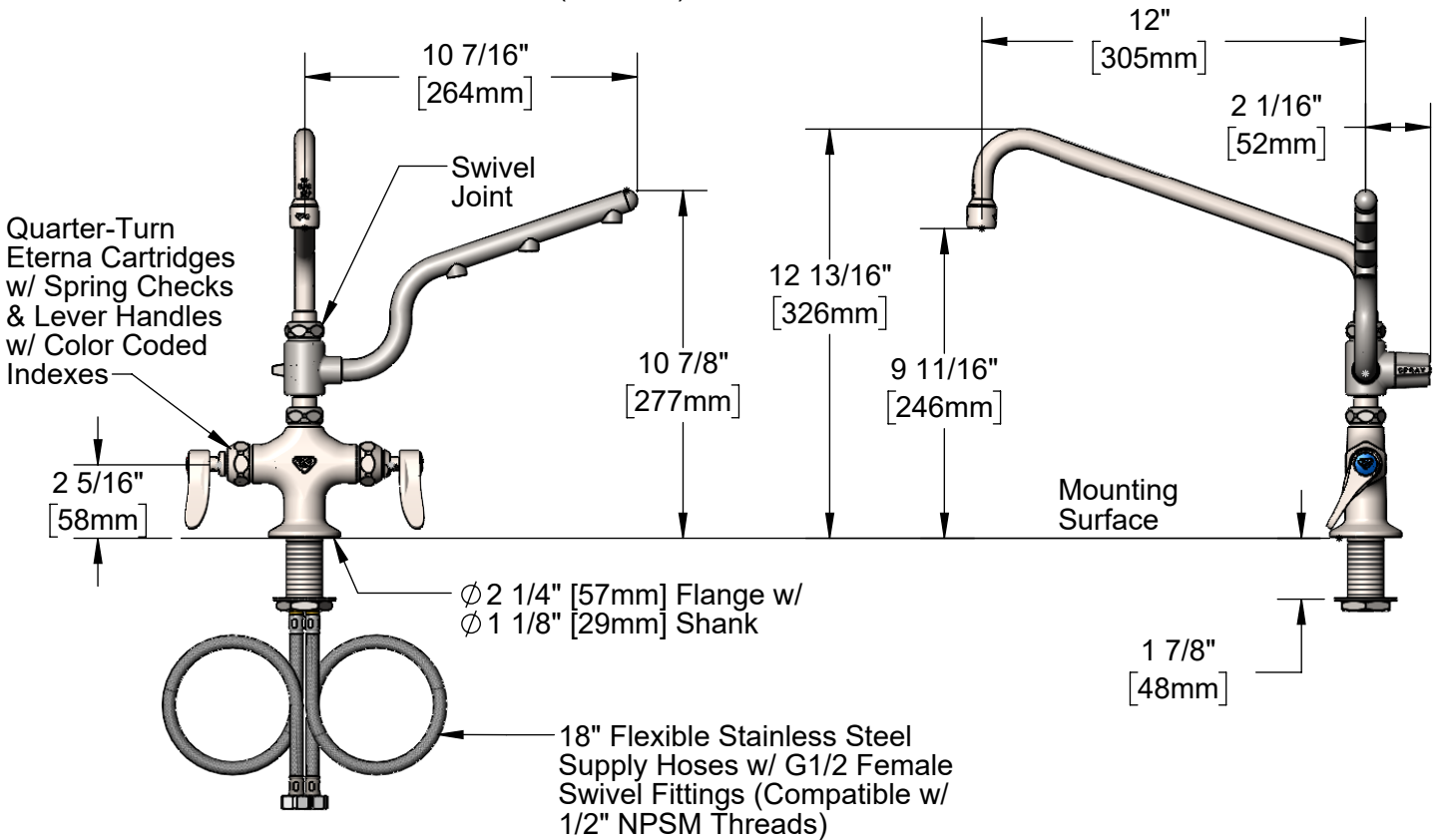
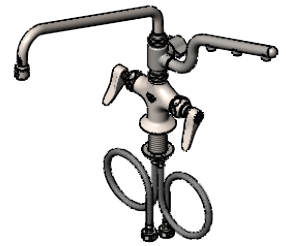
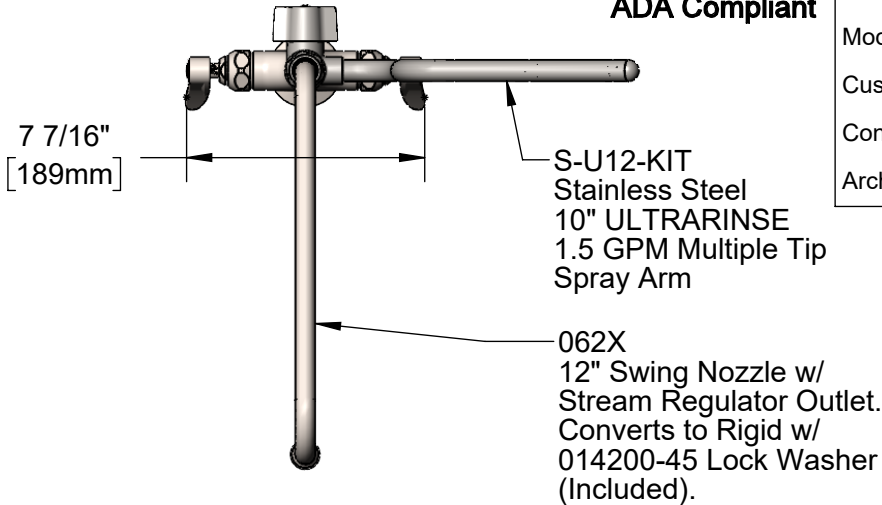
Job Name _____ Date _____

Model Specified _____ Quantity _____

Customer/Wholesaler _____

Contractor _____

Architect/Engineer _____



Rough-In Requirement:
Ø 1 1/2" [38mm] Mounting Hole

Product Specifications:

Stainless Steel Single Hole Deck Mount Mixing Faucet, Stainless Steel Quarter-Turn Eterna Cartridges w/ Spring Checks, Stainless Steel Lever Handles, Stainless Steel 12" Swing Nozzle, Stainless Steel 1.5 GPM 10" ULTRARINSE Multiple Tip Spray Arm & 18" Flexible Stainless Steel Supply Hoses

Product Compliance:

ASME A112.18.1 / CSA B125.1
NSF 61 - Section 9
NSF 372 (Low Lead Content)
ANSI A117.1 (ADA)



T&S BRASS AND BRONZE WORKS, INC.

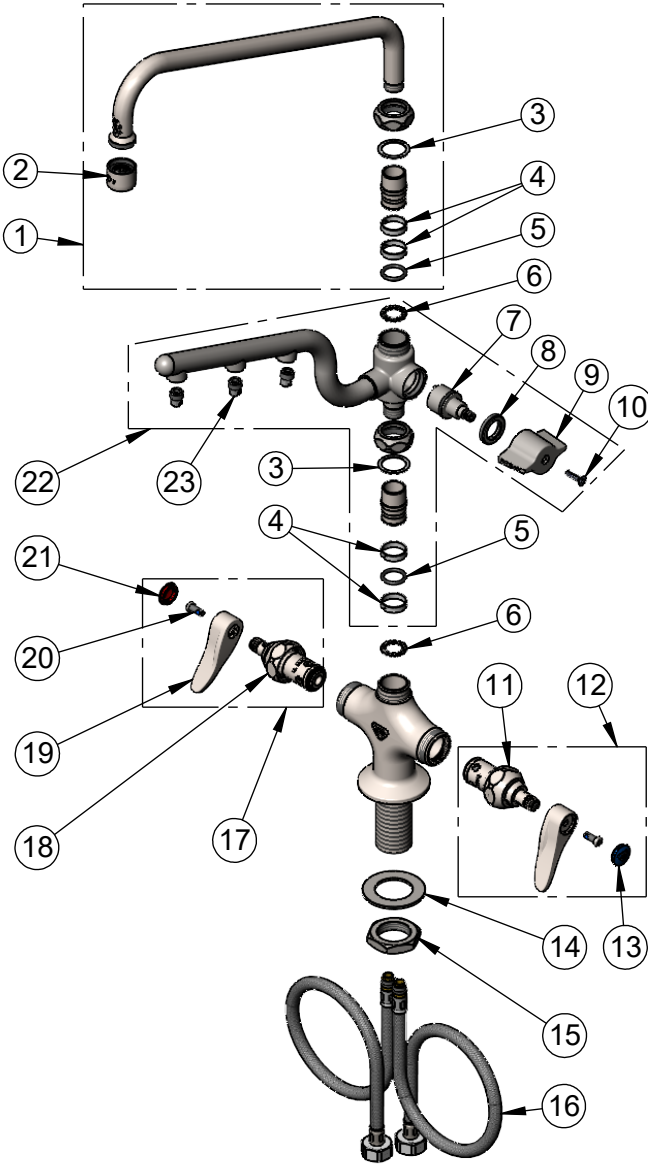
2 Saddleback Cove / P.O. Box 1088
Travelers Rest, SC 29690

Model No.

S-0201-U12

Item No.

Travelers Rest, SC: 800-476-4103 • Simi Valley, CA: 800-423-0150 • Fax: 864-834-3518 • www.tsbrass.com



ITEM NO.	SALES NO.	DESCRIPTION
1	S062X	Stainless Steel 12" Swing Nozzle
2	S-PT	Stainless Steel Full Flow Stream Regulator, 55/64-27
3	009538-45	Swivel Washer
4	021087-45	Swivel Sleeves (2)
5	001074-45	O-Ring
6	014200-45	Star Washer, Anti-Rotation
7	S020641-20	ULTRARINSE SS Diverter Cartridge
8	S020645-20	SS Diverter Cartridge Nut
9	S020642-30	ULTRARINSE SS Diverter Handle
10	020669-45	M4 Screw, 17mm Long
11	S012442-30NS	Stainless Steel Quarter-Turn Eterna Cartridge w/ Spring Check, LTC
12	S002711-30NS	Stainless Steel Quarter-Turn Eterna Cartridge w/ Spring Check, Handle, Blue Index & Screw, LTC
13	018506-19NS	Blue Button Index, Press-in
14	S007365-20	Lock Washer
15	S000965-20	Lock Nut
16	012436-45DR	Flexible Connector Hose
17	S002712-30NS	Stainless Steel Quarter-Turn Eterna Cartridge w/ Spring Check, Handle, Red Index & Screw, RTC
18	S012443-30NS	Stainless Steel Quarter-Turn Eterna Cartridge w/ Spring Check, RTC
19	S001638-30NS	Lever Handle (New Style)
20	000925-45	Lab Handle Screw
21	001193-19NS	Red Button Index, Press-in
22	S-U12-KIT	ULTRARINSE 10" SS Swivel Spray Arm, 1.5 GPM
23	020667-25	0.5 GPM Spray Tip, SS

Product Specifications:

Stainless Steel Single Hole Deck Mount Mixing Faucet, Stainless Steel Quarter-Turn Eterna Cartridges w/ Spring Checks, Stainless Steel Lever Handles, Stainless Steel 12" Swing Nozzle, Stainless Steel 1.5 GPM 10" ULTRARINSE Multiple Tip Spray Arm & 18" Flexible Stainless Steel Supply Hoses

Product Compliance:

ASME A112.18.1 / CSA B125.1
NSF 61 - Section 9
NSF 372 (Low Lead Content)
ANSI A117.1 (ADA)