



**Architect/Engineering Specifications:**

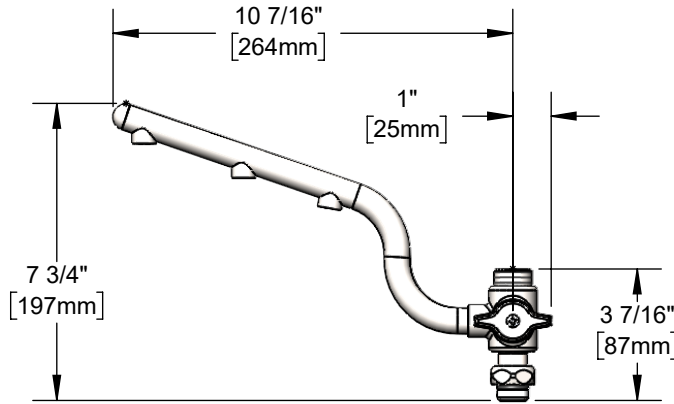
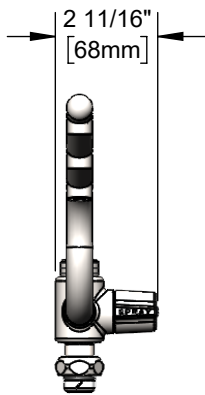
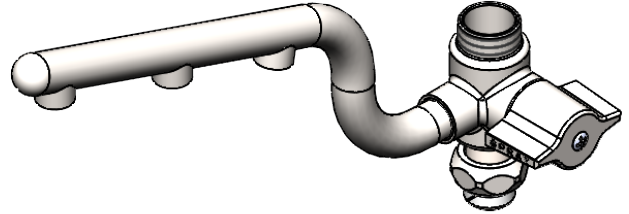
Stainless steel 1.5 GPM 10 7/16" multiple tip spray arm, stainless steel 180° diverter, spray/fill handle. Certified to ASME A112.18.1 / CSA B125.1, NSF 61-Section 9 and NSF 372. Meets ADA ANSI/ICC A117.1 requirements.

Job Name \_\_\_\_\_

Model Specified \_\_\_\_\_ Quantity \_\_\_\_\_

Variations Specified \_\_\_\_\_

Date \_\_\_\_\_



**Features & Benefits:**

- All stainless steel construction with brushed finish
- Stainless steel 1.5 GPM 10 7/16" ULTRARINSE multiple tip spray arm
- Stainless steel 180° cartridge switches between spray arm and swing nozzle
- For use with any stainless steel swivel T&S outlet faucet or stainless steel swing nozzle (12" swing nozzle preferred)
- Material: Stainless steel body, spray arm, cartridge and handle

**Product Compliance:**

- ASME A112.181 / CSA B125.1
- NSF 61 - Section 9
- NSF 372 (Low Lead Content)
- ANSI A117.1 (ADA)



**Warranty:** Lifetime (Limited)



**ADA Compliant**

**Performance Data:**

- Pressure: 20 - 125 psi [1.38 - 8.62 bar]
- Temperature: 40°F - 140°F [4.44°C - 60°C]
- Flow Rate:  
Spray Arm: 1.5 GPM [5.68 L/min] @ 60 psi [4.14 bar]

