



Swivel Sink and Pantry Faucets

S-0230-U18-CR

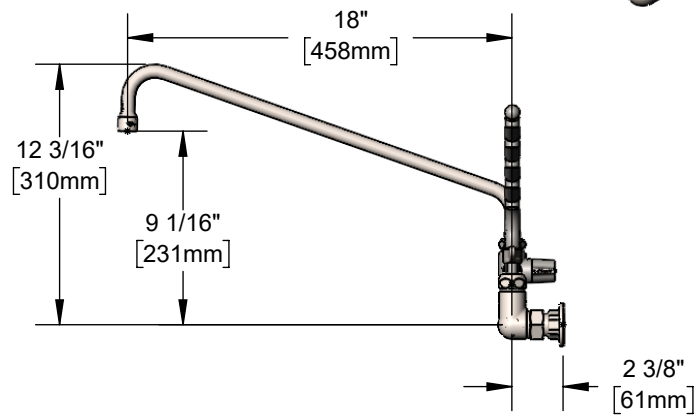
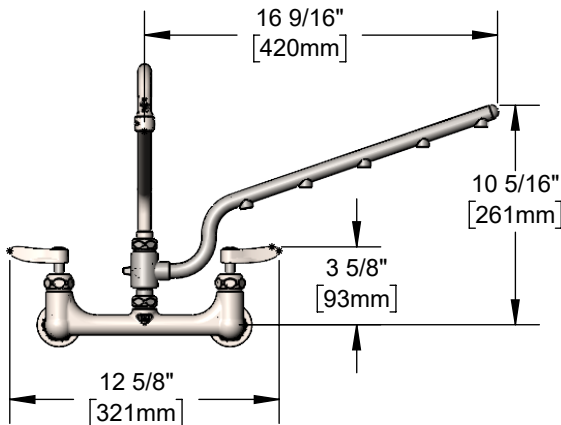
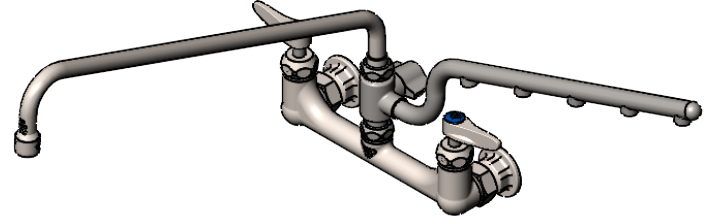
TAG: _____

EVERSTEEL ULTRARINSE Faucet

Architect/Engineering Specifications:

8" stainless steel wall mount mixing faucet, stainless steel 18" swing nozzle with stream regulator outlet, stainless steel 1.5 GPM 16 9/16" multiple tip spray arm, stainless steel ceramic cartridges with check valves, stainless steel lever handles and stainless steel 1/2" NPT female inlets. Certified to ASME A112.18.1/CSA B125.1, NSF 61-Section 9 and NSF 372. Meets ADA ANSI/ICC A117.1 requirements.

Job Name _____
 Model Specified _____ Quantity _____
 Variations Specified _____
 Date _____



Features & Benefits:

- All stainless steel construction with brush finish
- 8" wall mount mixing faucet with stainless steel body
- Stainless steel 12" swing nozzle
- Stainless steel 1.5 GPM 16 9/16" ULTRARINSE multiple tip spray arm
- Lock washer provided for rigid application
- Stainless steel stream regulator outlet, Series 1
- Stainless steel quarter-turn Cerama cartridges w/ check valves to prevent cross flow of water
- Stainless steel lever handles w/ color coded indexes
- Stainless steel 1/2" NPT female eccentric inlets w/ \varnothing 2" flanges
- Adjustable centers from 7 3/4" to 8 1/4"
- Material: Stainless steel body, tubular spout, spray arm, cartridges and handles

Product Compliance:

- ASME A112.18.1 / CSA B125.1
- NSF 61 - Section 9
- NSF 372 (Low Lead Content)
- ANSI A117.1 (ADA)



Warranty: Lifetime (Limited)

Performance Data:

- Pressure: 20 - 125 psi [1.38 - 8.62 bar]
- Temperature: 40°F - 140°F [4.44°C - 60°C]
- Flow Rate:
 - Nozze: 14.58 GPM [56.19 L/min] @ 60 psi [4.14 bar]
 - Spray Arm: 1.5 GPM [5.67 L/min] @ 60 psi [4.14 bar]



ADA Compliant

Stainless Steel Optional Outlets (Series 1 / VR Series 6)

GPM	Aerated	VR Aerated	VR Non-Aerated (VR Laminar)
0.5	<input type="checkbox"/> N/A	<input type="checkbox"/> N/A	<input type="checkbox"/> S-0199-06-N05
1.2	<input type="checkbox"/> N/A	<input type="checkbox"/> S-0199-06-F12	<input type="checkbox"/> N/A
1.5	<input type="checkbox"/> N/A	<input type="checkbox"/> S-0199-06-F15	<input type="checkbox"/> N/A
2.2	<input type="checkbox"/> S-0199-01	<input type="checkbox"/> N/A	<input type="checkbox"/> N/A

Stainless Steel Optional Handles

- 4" Wrist Action
- Lever (Standard)
- 4-Arm

Stainless Steel Optional Cartridges With Checks

- Quarter-Turn Cerama w/ Check Valve (Standard)
- Quarter-Turn Eterna w/ Spring Check



T&S BRASS AND BRONZE WORKS, INC.



• 2 Saddleback Cove • Travelers Rest, SC 29690
 Ph 800-476-4103 • Fax 864-834-3518
 • Simi Valley, CA • Ph 800-423-0150 • www.tsbrass.com

Date: 08/03/24