



**T&S BRASS AND BRONZE WORKS, INC.**  
 2 Saddleback Cove / P.O. Box 1088  
 Travelers Rest, SC 29690

Model No.  
**S-0231-U12-CR**

Item No.

Travelers Rest, SC: 800-476-4103 • Simi Valley, CA: 800-423-0150 • Fax: 864-834-3518 • www.tsbrass.com

**EVERSTEEL™**



**ADA Compliant**

This Space for Architect/Engineer Approval

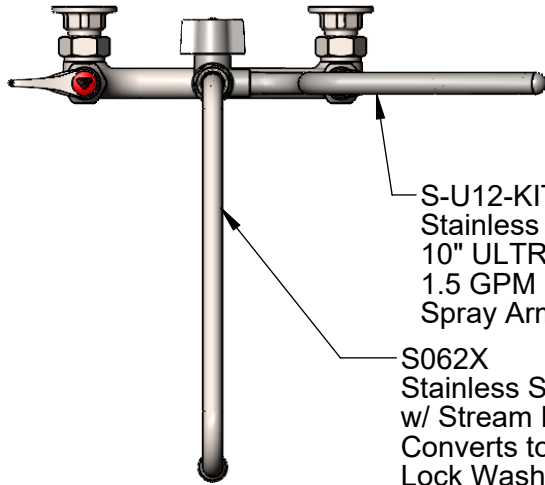
Job Name \_\_\_\_\_ Date \_\_\_\_\_

Model Specified \_\_\_\_\_ Quantity \_\_\_\_\_

Customer/Wholesaler \_\_\_\_\_

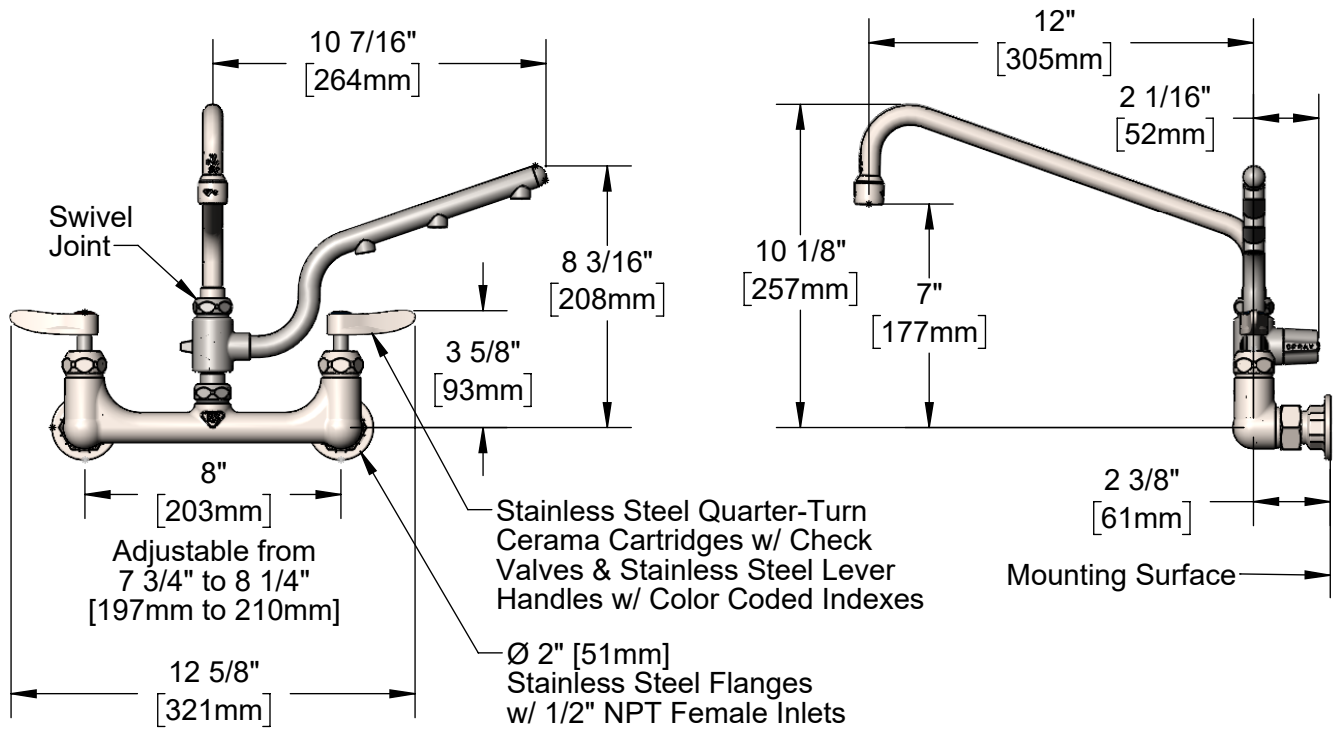
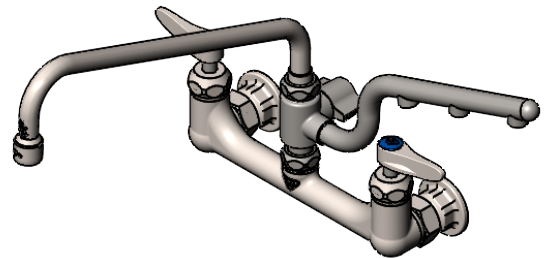
Contractor \_\_\_\_\_

Architect/Engineer \_\_\_\_\_



S-U12-KIT  
 Stainless Steel  
 10" ULTRARINSE  
 1.5 GPM Multiple Tip  
 Spray Arm

S062X  
 Stainless Steel 12" Swing Nozzle  
 w/ Stream Regulator Outlet  
 Converts to Rigid w/ 014200-45  
 Lock Washer (Included)



**Product Specifications:**  
 8" Stainless Steel Wall Mount Mixing Faucet w/ SS Quarter-Turn Cerama Cartridges w/ Check Valves, SS Lever Handles, SS 1.5 GPM 10" ULTRARINSE Multiple Tip Spray Arm, SS 12" Swing Nozzle w/ Stream Regulator Outlet & SS 1/2" NPT Female Inlets

**Product Compliance:**  
 ASME A112.18.1 / CSA B125.1  
 NSF 61 - Section 9  
 NSF 372 (Low Lead Content)  
 ANSI A117.1 (ADA)



# T&S BRASS AND BRONZE WORKS, INC.

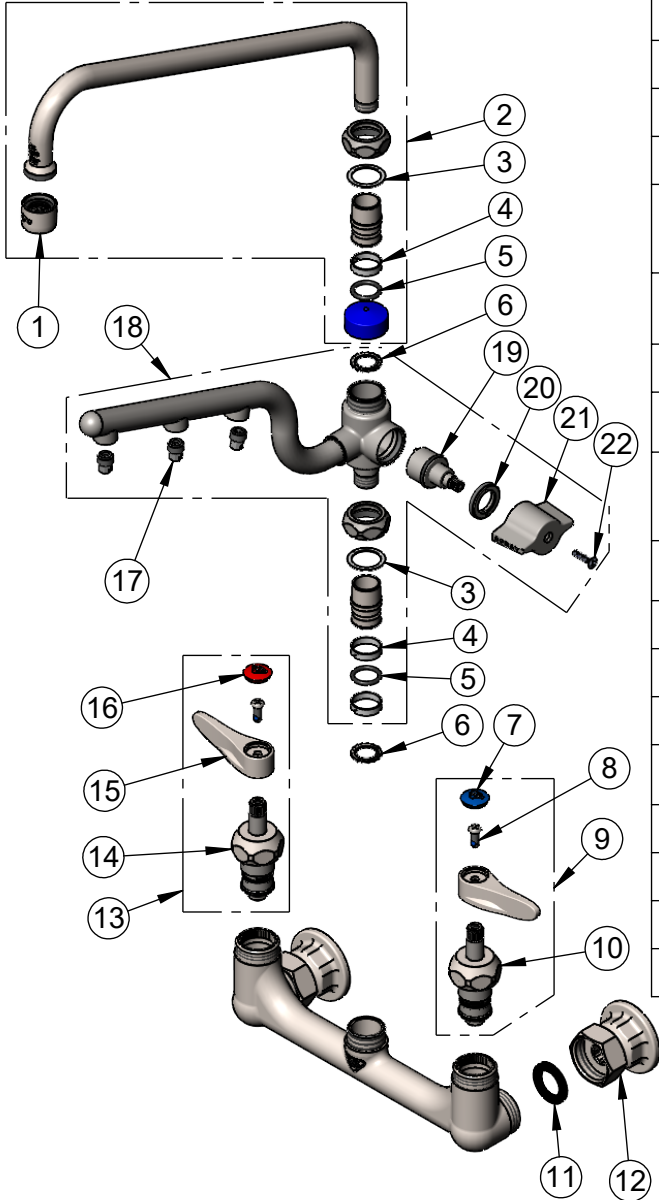
2 Saddleback Cove / P.O. Box 1088  
Travelers Rest, SC 29690

Model No.

**S-0231-U12-CR**

Item No.

Travelers Rest, SC: 800-476-4103 • Simi Valley, CA: 800-423-0150 • Fax: 864-834-3518 • www.tsbrass.com



ITEM NO.	SALES NO.	DESCRIPTION
1	S-PT	Stainless Steel Full Flow Stream Regulator, 55/64-27
2	S062X	Stainless Steel 12" Swing Nozzle
3	009538-45	Swivel Washer
4	021087-45	Swivel Sleeves (2)
5	001074-45	O-Ring
6	014200-45	Star Washer, Anti-Rotation
7	018506-19NS	Blue Button Index, Press-in
8	000925-45	Lab Handle Screw
9	S012447-30NS	Stainless Steel Quarter-Turn Cerama Cartridge w/ Check Valve, Handle, Blue Index & Screw, LTC
10	S012395-30NS	Stainless Steel Quarter-Turn Cerama Cartridge w/ Check Valve, LTC
11	010569-45	Washer, Inlet Flange Coupling (UK)
12	S00AA	Stainless Steel 1/2" Female Eccentric Flange
13	S012446-30NS	Stainless Steel Quarter-Turn Cerama Cartridge w/ Check Valve, Handle, Red Index & Screw, RTC
14	S012394-30NS	Stainless Steel Quarter-Turn Cerama Cartridge w/ Check Valve, RTC
15	S001638-30NS	Lever Handle (New Style)
16	001193-19NS	Red Button Index, Press-in
17	020667-25	0.5 GPM Spray Tip, SS
18	S-U12-KIT	ULTRARINSE 10" SS Swivel Spray Arm, 1.5 GPM
19	S020641-20	ULTRARINSE SS Diverter Cartridge
20	S020645-20	SS Diverter Cartridge Nut
21	S020642-30	ULTRARINSE SS Diverter Handle
22	020669-45	M4 Screw, 17mm Long

**Product Specifications:**

8" Stainless Steel Wall Mount Mixing Faucet w/ SS Quarter-Turn Cerama Cartridges w/ Check Valves, SS Lever Handles, SS 1.5 GPM 10" ULTRARINSE Multiple Tip Spray Arm, SS 12" Swing Nozzle w/ Stream Regulator Outlet & SS 1/2" NPT Female Inlets

**Product Compliance:**

ASME A112.18.1 / CSA B125.1  
NSF 61 - Section 9  
NSF 372 (Low Lead Content)  
ANSI A117.1 (ADA)