



# Swivel Sink and Pantry Faucets

TAG:

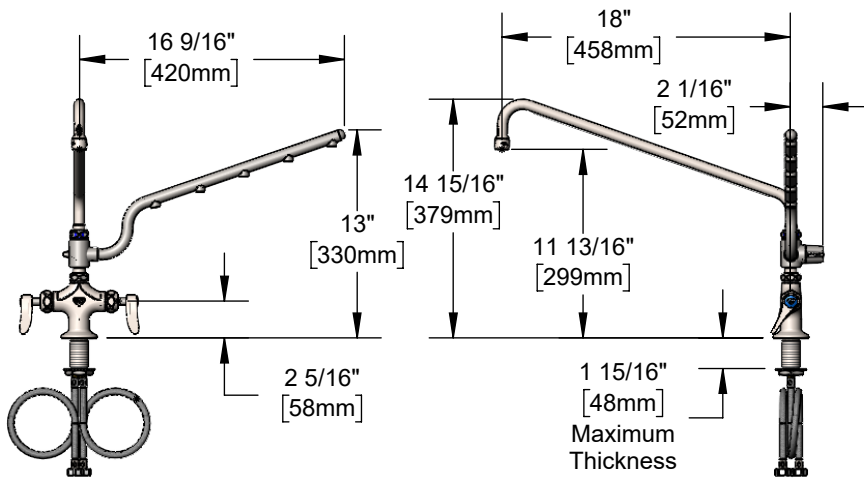
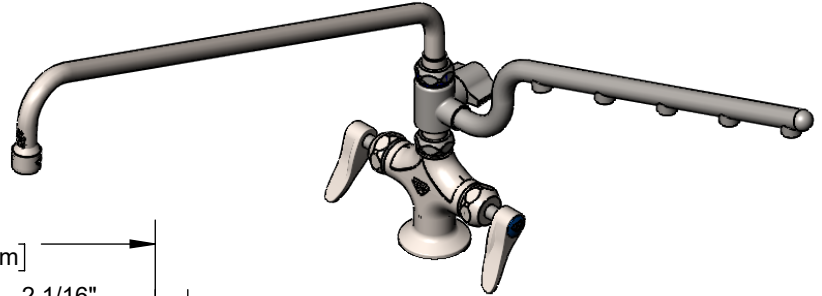
## S-0200-U18-CR

## EVERSTEEL ULTRARINSE Faucet

### Architect/Engineering Specifications:

Stainless steel single hole deck mount mixing faucet, stainless steel 18" swing nozzle, stainless steel 1.5 GPM 16 9/16" multiple tip spray arm, stainless steel ceramic cartridges with check valves, stainless steel lever handles and 18" flexible stainless steel supply hoses with G1/2 female connections. ASME A112.18.1 / CSA B125.1, NSF 61-Section 9 and NSF 372. Meets ADA ANSI/ICC A117.1 requirements.

Job Name \_\_\_\_\_  
 Model Specified \_\_\_\_\_ Quantity \_\_\_\_\_  
 Variations Specified \_\_\_\_\_  
 Date \_\_\_\_\_



### Features & Benefits:

- All stainless steel construction with brushed finish
- Stainless steel single hole deck mount mixing faucet
- Stainless steel 1.5 GPM 16 9/16" ULTRARINSE multiple tip spray arm
- Stainless steel 18" swing nozzle
- Lock washer provided for rigid application
- Stainless steel stream regulator outlet, Series 1
- Stainless steel quarter-turn Cerama cartridges w/ check valves to prevent the cross flow of water
- Stainless steel lever handles w/ color coded indexes
- 18" flexible stainless steel supply hoses w/ G1/2 female connections (compatible w/ 1/2" NPSM threads)
- Material: Stainless steel body, handles, cartridges, nozzle, spray arm and hoses

### Product Compliance:

- ASME A112.18.1 / CSA B125.1
- NSF 61 - Section 9
- NSF 372 (Low Lead Content)
- ANSI A117.1 (ADA)

**Warranty:** Lifetime (Limited)

### Performance Data:

- Pressure: 20 - 125 psi [1.38 - 8.62 bar]
- Temperature: 40°F - 140°F [4.44°C - 60°C]
- Flow Rate:
  - Nozzle: 8.68 GPM [30.28 L/min] @ 60 psi [4.14 bar]
  - Spray Arm: 1.5 GPM [5.64 L/min] @ 60 psi [4.14 bar]



ADA Compliant

### Stainless Steel Optional Outlets (Series 1 / VR Series 6)

GPM	Aerated	VR Aerated	VR Non-Aerated (VR Laminar)
0.5	<input type="checkbox"/> N/A	<input type="checkbox"/> N/A	<input type="checkbox"/> S-0199-06-N05
1.2	<input type="checkbox"/> N/A	<input type="checkbox"/> S-0199-06-F12	<input type="checkbox"/> N/A
1.5	<input type="checkbox"/> N/A	<input type="checkbox"/> S-0199-06-F15	<input type="checkbox"/> N/A
2.2	<input type="checkbox"/> S-0199-01	<input type="checkbox"/> N/A	<input type="checkbox"/> N/A

### Stainless Steel Optional Handles

- 4" Wrist Action
- Lever (Standard)
- 4-Arm

### Stainless Steel Optional Cartridges With Checks

- Quarter-Turn Cerama w/ Check Valve (Standard)
- Quarter-Turn Eterna w/ Spring Check



T&S BRASS AND BRONZE WORKS, INC.



• 2 Saddleback Cove • Travelers Rest, SC 29690  
 Ph 800-476-4103 • Fax 864-834-3518  
 • Simi Valley, CA • Ph 800-423-0150 • www.tsbrass.com

Date: 08/03/24