



T&S BRASS AND BRONZE WORKS, INC.

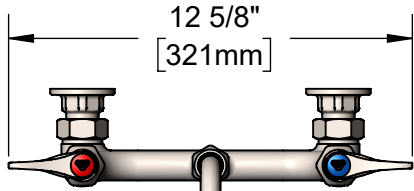
2 Saddleback Cove / P.O. Box 1088
Travelers Rest, SC 29690

Model No.

S-0230

Item No.

Travelers Rest, SC: 800-476-4103 • Simi Valley, CA: 800-423-0150 • Fax: 864-834-3518 • www.tsbrass.com



12 5/8"
[321mm]

EVERSTEEL

This Space for Architect/Engineer Approval

Job Name _____ Date _____

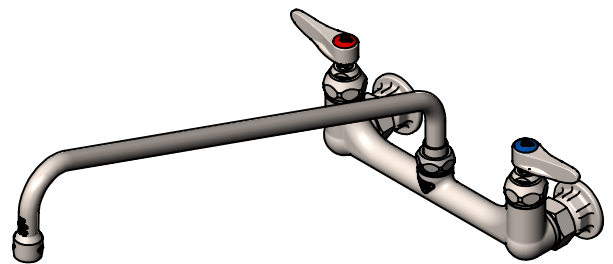
Model Specified _____ Quantity _____

Customer/Wholesaler _____

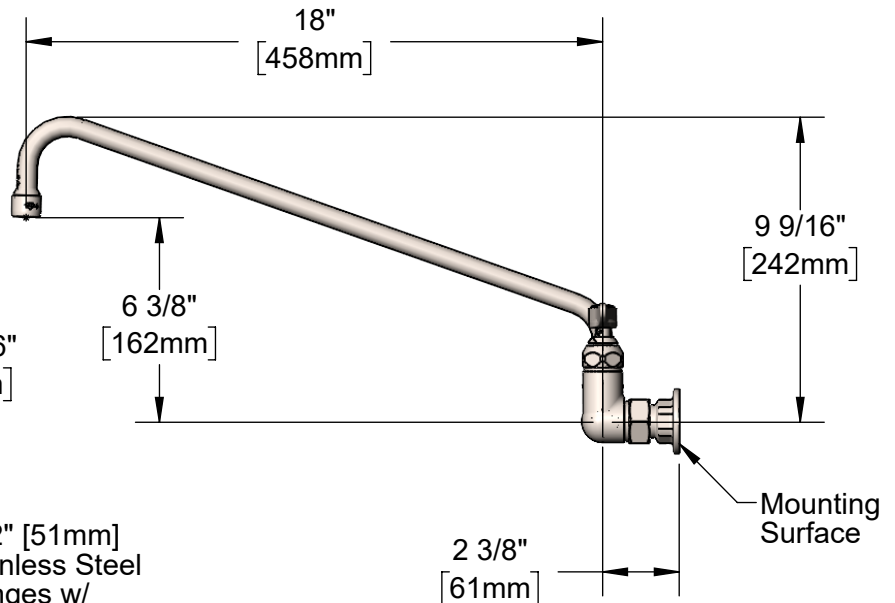
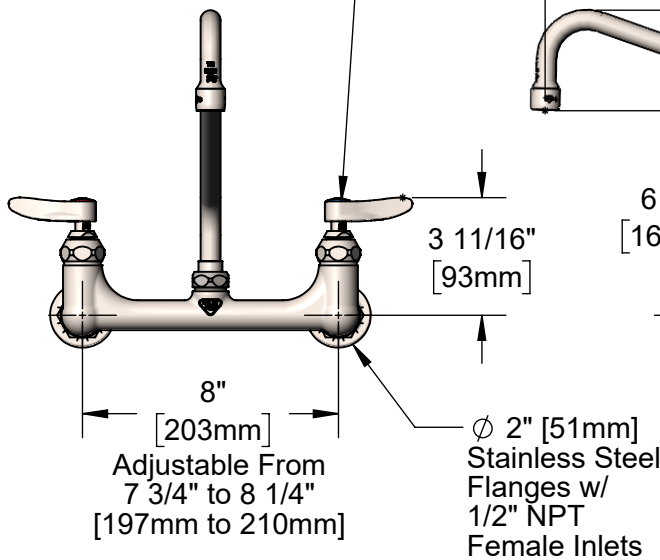
Contractor _____

Architect/Engineer _____

S065X
Stainless Steel 18" Swing Nozzle
w/ Stream Regulator Outlet
Converts to Rigid w/ 014200-45
Lock Washer (Included)



Stainless Steel Quarter-Turn
Eterna Cartridges w/
Spring Checks &
Stainless Steel Lever Handles
w/ Color Coded Indexes



Product Specifications:

8" Stainless Steel Wall Mount Mixing Faucet, Stainless Steel 18" Swing Nozzle, SS Quarter-Turn Eterna Cartridges w/ Spring Checks, SS Lever Handles & SS 1/2" NPT Female Inlets

Product Compliance:

ASME A112.18.1 / CSA B125.1
NSF 61 - Section 9
NSF 372 (Low Lead Content)
ANSI A117.1 (ADA)



T&S BRASS AND BRONZE WORKS, INC.

2 Saddleback Cove / P.O. Box 1088
Travelers Rest, SC 29690

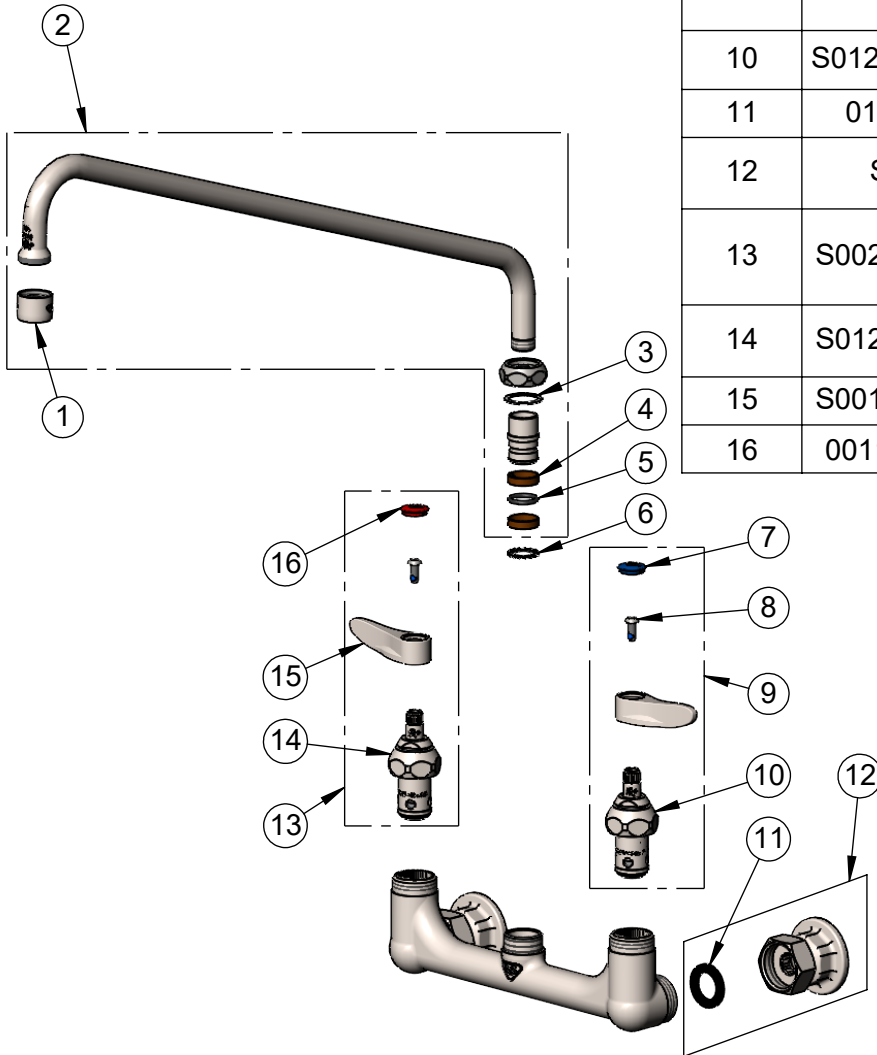
Model No.

S-0230

Item No.

Travelers Rest, SC: 800-476-4103 • Simi Valley, CA: 800-423-0150 • Fax: 864-834-3518 • www.tsbrass.com

ITEM NO.	SALES NO.	DESCRIPTION
1	S-PT	Full Flow Stream Regulator, 55/64-27
2	S065X	Stainless Steel 18" Swing Nozzle
3	009538-45	Swivel Washer
4	011429-45	Swivel Sleeves (2)
5	001065-45	O-Ring
6	014200-45	Star Washer, Anti-Rotation
7	018506-19NS	Blue Button Index, Press-in
8	000925-45	Lab Handle Screw
9	S002711-30NS	Stainless Steel Quarter-Turn Eterna Cartridge w/ Spring Check, Handle, Blue Index & Screw, LTC
10	S012442-30 NS	Stainless Steel Quarter-Turn Eterna Cartridge w/ Spring Check, LTC
11	010569-45	Washer, Inlet Flange Coupling (UK)
12	S00AA	Stainless Steel 1/2" NPT Female Eccentric Flange
13	S002712-30NS	Stainless Steel Quarter-Turn Eterna Cartridge w/ Spring Check, Handle, Blue Index & Screw, RTC
14	S012443-30NS	Stainless Steel Quarter-Turn Eterna Cartridge w/ Spring Check, RTC
15	S001638-30NS	Lever Handle (New Style)
16	001193-19NS	Red Button Index, Press-in



Product Specifications:

8" Stainless Steel Wall Mount Mixing Faucet, Stainless Steel 18" Swing Nozzle, SS Quarter-Turn Eterna Cartridges w/ Spring Checks, SS Lever Handles & SS 1/2" NPT Female Inlets

Product Compliance:

ASME A112.18.1 / CSA B125.1
NSF 61 - Section 9
NSF 372 (Low Lead Content)
ANSI A117.1 (ADA)