



# Swivel Sink and Pantry Faucets

## S-0230

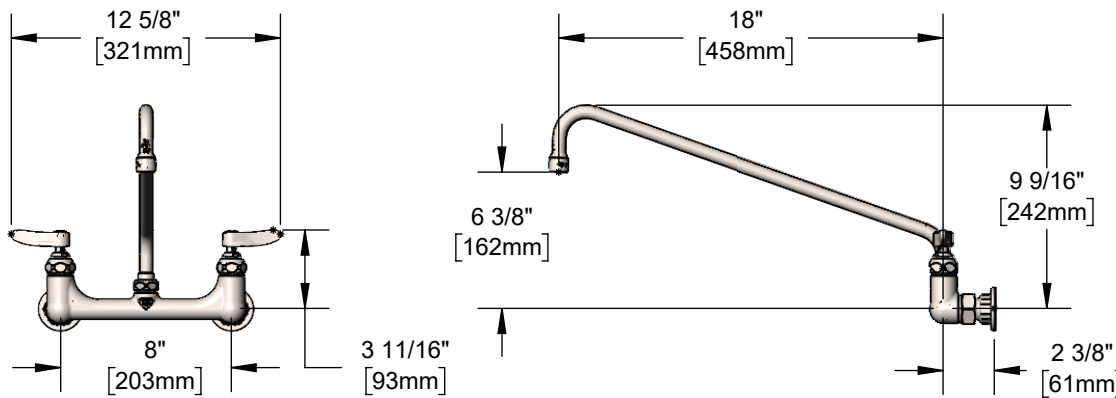
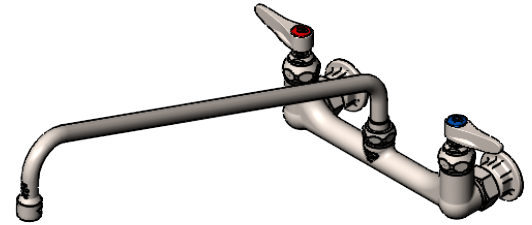
TAG:

### EVERSTEEL Double Pantry Faucet

#### Architect/Engineering Specifications:

8" stainless steel wall mount mixing faucet, stainless steel 18" swing nozzle with stream regulator outlet, stainless steel compression cartridges with spring checks, stainless steel lever handles and stainless steel 1/2" NPT female inlets. Certified to ASME A112.18.1/CSA B125.1, NSF 61-Section 9 and NSF 372. Meets ADA ANSI/ICC A117.1 requirements.

Job Name \_\_\_\_\_  
 Model Specified \_\_\_\_\_ Quantity \_\_\_\_\_  
 Variations Specified \_\_\_\_\_  
 Date \_\_\_\_\_



#### Features & Benefits:

- All stainless steel construction with brushed finish
- 8" wall mount mixing faucet with stainless steel body
- Stainless steel 18" swing nozzle. Converts to rigid with included lock washer
- Stainless steel stream regulator outlet, Series 1
- Stainless steel quarter-turn Eterna compression cartridges w/ spring checks to prevent cross flow of water
- Stainless steel lever handles w/ color coded indexes
- Stainless steel 1/2" NPT female eccentric inlets w/ Ø 2" flanges
- Adjustable centers from 7 3/4" to 8 1/4"
- Material: Stainless steel body, tubular spout, cartridges, handles and inlets

#### Product Compliance:

- ASME A112.18.1 / CSA B125.1
- NSF 61 - Section 9
- NSF 372 (Low Lead Content)
- ANSI A117.1 (ADA)

**Warranty:** Lifetime (Limited)

#### Performance Data:

- Pressure: 20 - 125 psi [1.38 - 8.62 bar]
- Temperature: 40°F - 140°F [4.44°C - 60°C]
- Flow Rate: 28.63 GPM [108.38 L/min] @ 60 psi [4.14 bar]



ADA Compliant

#### Stainless Steel T&S Swing Nozzles

- S059X 6" Swing Nozzle
- S060X 8" Swing Nozzle
- S062X 12" Swing Nozzle
- S065X 18" Swing Nozzle

#### Stainless Steel T&S Swivel Goosenecks (D x K)

- S133X 5 11/16" x 6 1/4" Swivel Gooseneck



T&S BRASS AND BRONZE WORKS, INC.



• 2 Saddleback Cove • Travelers Rest, SC 29690  
 Ph 800-476-4103 • Fax 864-834-3518  
 • Simi Valley, CA • Ph 800-423-0150 • www.tsbrass.com

Date: 08/15/23