



T&S BRASS AND BRONZE WORKS, INC.
 2 Saddleback Cove / P.O. Box 1088
 Travelers Rest, SC 29690

Model No.

S-0201-U12-CR

Item No.

Travelers Rest, SC: 800-476-4103 • Simi Valley, CA: 800-423-0150 • Fax: 864-834-3518 • www.tsbrass.com

EVERSTEEL



ADA Compliant

This Space for Architect/Engineer Approval

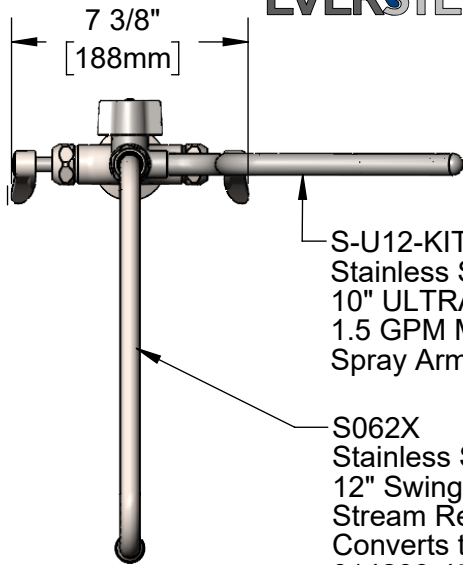
Job Name _____ Date _____

Model Specified _____ Quantity _____

Customer/Wholesaler _____

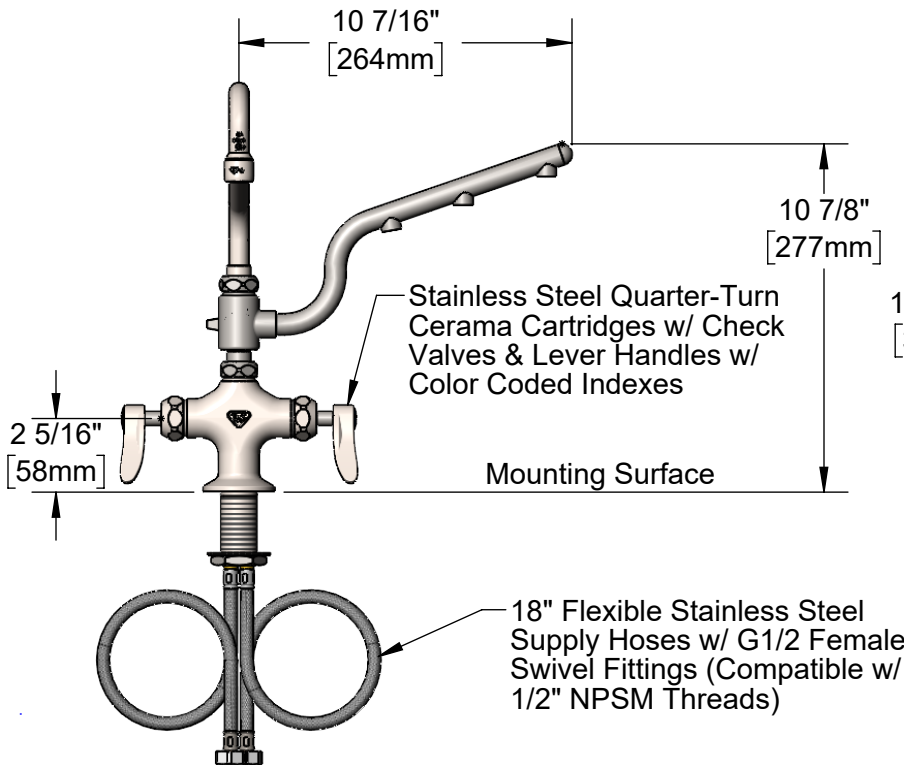
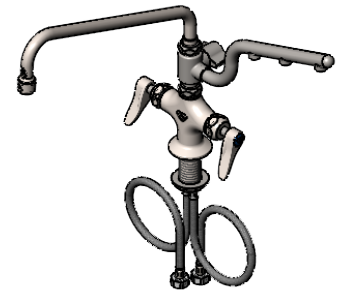
Contractor _____

Architect/Engineer _____



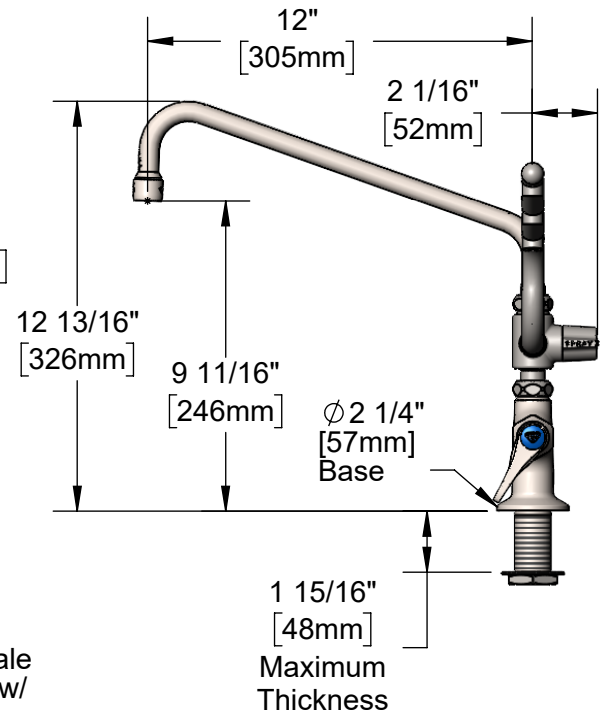
S-U12-KIT
 Stainless Steel
 10" ULTRARINSE
 1.5 GPM Multiple Tip
 Spray Arm

S062X
 Stainless Steel
 12" Swing Nozzle w/
 Stream Regulator Outlet.
 Converts to Rigid w/
 014200-45 Lock Washer
 (Included)



Stainless Steel Quarter-Turn
 Cerama Cartridges w/ Check
 Valves & Lever Handles w/
 Color Coded Indexes

Mounting Surface



Ø 2 1/4"
 [57mm]
 Base

1 15/16"
 [48mm]
 Maximum
 Thickness

Rough-In Requirement:
 Ø 1 1/2" [38mm] Mounting Hole

Product Specifications:

Stainless Steel Single Hole Deck Mount Mixing Faucet, SS Quarter-Turn Cerama Cartridges w/ Check Valves, SS Lever Handles, SS 12" Swing Nozzle, SS 1.5 GPM 10" ULTRARINSE Multiple Tip Spray Arm, SS Stream Regulator Outlet & 18" Flexible Stainless Steel Supply Hoses

Product Compliance:

ASME A112.18.1 / CSA B125.1
 NSF 61 - Section 9
 NSF 372 (Low Lead Content)
 ANSI A117.1 (ADA)



T&S BRASS AND BRONZE WORKS, INC.

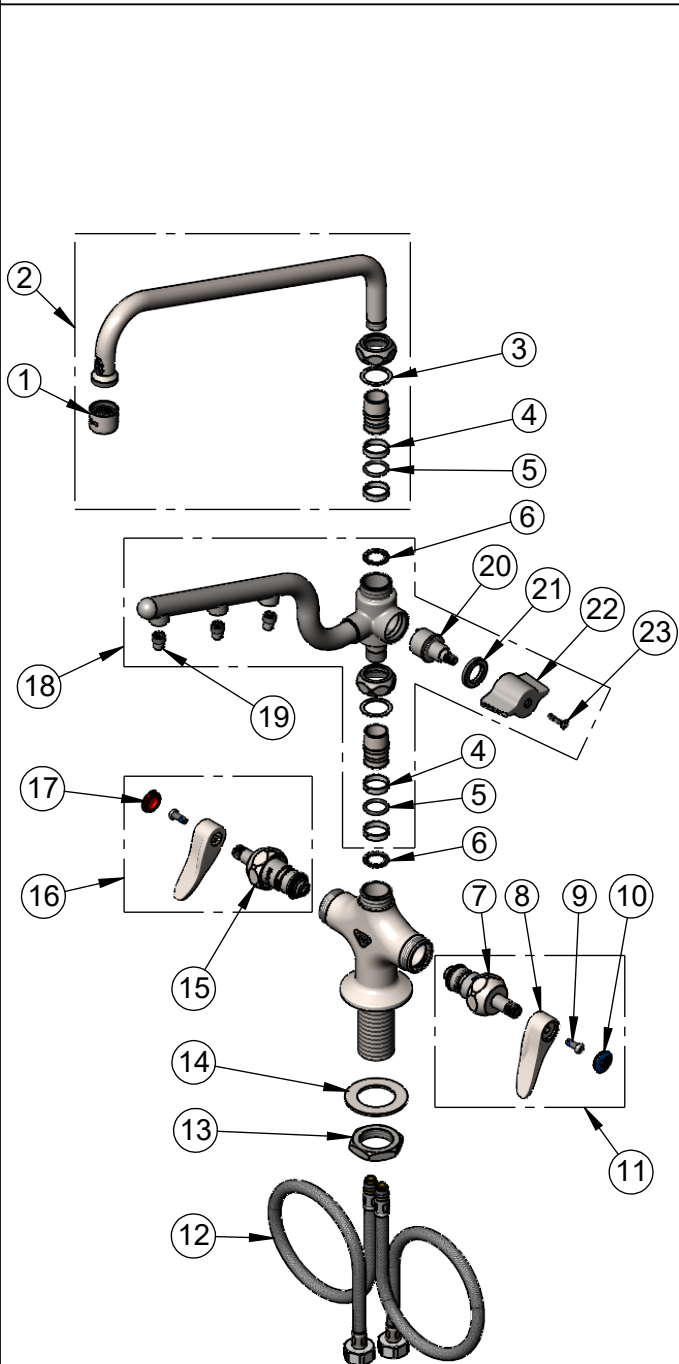
2 Saddleback Cove / P.O. Box 1088
Travelers Rest, SC 29690

Model No.

S-0201-U12-CR

Item No.

Travelers Rest, SC: 800-476-4103 • Simi Valley, CA: 800-423-0150 • Fax: 864-834-3518 • www.tsbrass.com



ITEM NO.	SALES NO.	DESCRIPTION
1	S-PT	Stainless Steel Full Flow Stream Regulator, 55/64-27
2	S062X	Stainless Steel 12" Swing Nozzle
3	009538-45	Swivel Washer
4	021087-45	Swivel Sleeves (2)
5	001074-45	O-Ring
6	014200-45	Star Washer, Anti-Rotation
7	S012395-30NS	Stainless Steel Quarter-Turn Cerama Cartridge w/ Check Valve, LTC
8	S001638-30NS	Lever Handle (New Style)
9	000925-45	Lab Handle Screw
10	018506-19NS	Blue Button Index, Press-in
11	S012447-30NS	Stainless Steel Quarter-Turn Cerama Cartridge w/ Check Valve, Handle, Blue Index & Screw, LTC
12	012436-45DR	Flexible Connector Hose
13	S000965-20	Lock Nut
14	S007365-20	Lock Washer
15	S012394-30NS	Stainless Steel Quarter-Turn Cerama Cartridge w/ Check Valve, RTC
16	S012446-30NS	Stainless Steel Quarter-Turn Cerama Cartridge w/ Check Valve, Handle, Red Index & Screw, RTC
17	001193-19NS	Red Button Index, Press-in
18	S-U12-KIT	ULTRARINSE 10" SS Swivel Spray Arm, 1.5 GPM
19	020667-25	0.5 GPM Spray Tip, SS
20	S020641-20	ULTRARINSE SS Diverter Cartridge
21	S020645-20	SS Diverter Cartridge Nut
22	S020642-30	ULTRARINSE SS Diverter Handle
23	020669-45	M4 Screw, 17mm Long

Product Specifications:
Stainless Steel Single Hole Deck Mount Mixing Faucet, SS Quarter-Turn Cerama Cartridges w/ Check Valves, SS Lever Handles, SS 12" Swing Nozzle, SS 1.5 GPM 10" ULTRARINSE Multiple Tip Spray Arm, SS Stream Regulator Outlet & 18" Flexible Stainless Steel Supply Hoses

Product Compliance:
ASME A112.18.1 / CSA B125.1
NSF 61 - Section 9
NSF 372 (Low Lead Content)
ANSI A117.1 (ADA)