



T&S BRASS AND BRONZE WORKS, INC.

2 Saddleback Cove / P.O. Box 1088
Travelers Rest, SC 29690

Model No.

EC-3101-HG-1W-S

Item No.

Travelers Rest, SC: 800-476-4103 • Simi Valley, CA: 800-423-0150 • Fax: 864-834-3518 • www.tsbrass.com



ADA Compliant

This Space for Architect/Engineer Approval

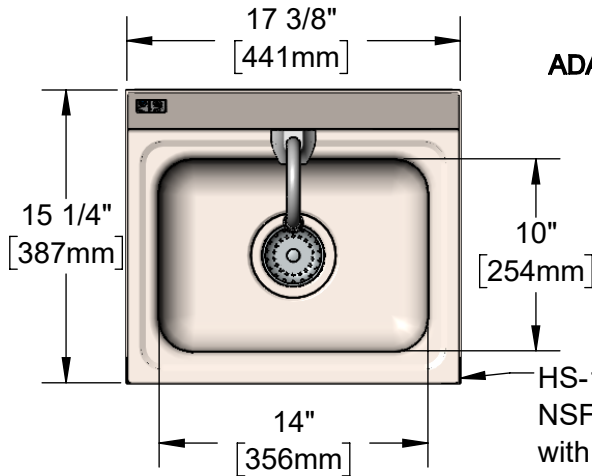
Job Name _____ Date _____

Model Specified _____ Quantity _____

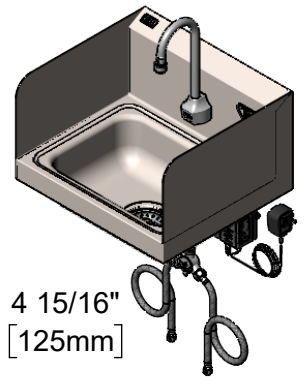
Customer/Wholesaler _____

Contractor _____

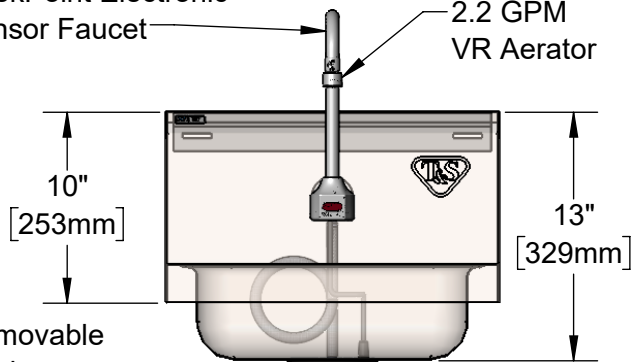
Architect/Engineer _____



HS-1715-1W-S
NSF Approved Stainless Steel Sink with Side Shields & 3 1/2" Drain Hole. Supplied with Mounting Bracket and Drain Assembly w/ Basket Strainer



EC-3101-HG
ChekPoint Electronic Sensor Faucet

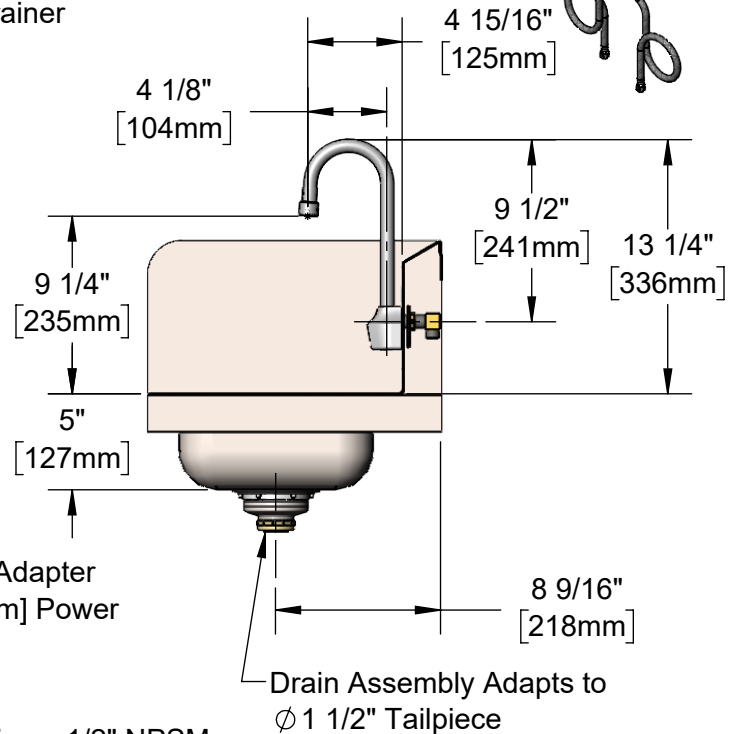


Removable Strainer
Hydro-Generator Power Supply.
No AA Batteries Needed to Supply Power to Faucet.

100-240 VAC Adapter w/ 72" [1830mm] Power Cord

(2) 3/8" Compression x 1/2" NPSM 18" [457mm] Flexible Stainless Steel Supply Hoses

Temperature Mixing Valve w/ Integral Check Valves



Product Specifications:

Hand Wash Sink / Elec. Sensor Faucet, Stainless Steel Sink / Backsplash, Side Splash Shields, 3 1/2" Drain Assembly, Electronic Sensor Faucet, Wall Mount Rigid Gooseneck w/ 2.2 GPM VR Aerator, AC/DC Control Module w/ Internal Flow Cont. Setting Switches, Temperature Control Mixing Valve w/ Check Valves, Hydro-Generator 18" Hot & Cold Supply Stop Flexible Connector Hoses

Product Compliance:

ASME A112.18.1 / CSA B125.1
ASME A112.19.3 / CSA B45.4 (Sink & Drain)
NSF 61 - Section 9
NSF 372 (Low Lead Content)
UL 1951
ANSI A117.1 (ADA)
NSF / ANSI 2 (Sink & Drain)
ASME A112.18.2/CSA B125.2 (Drain)



T&S BRASS AND BRONZE WORKS, INC.

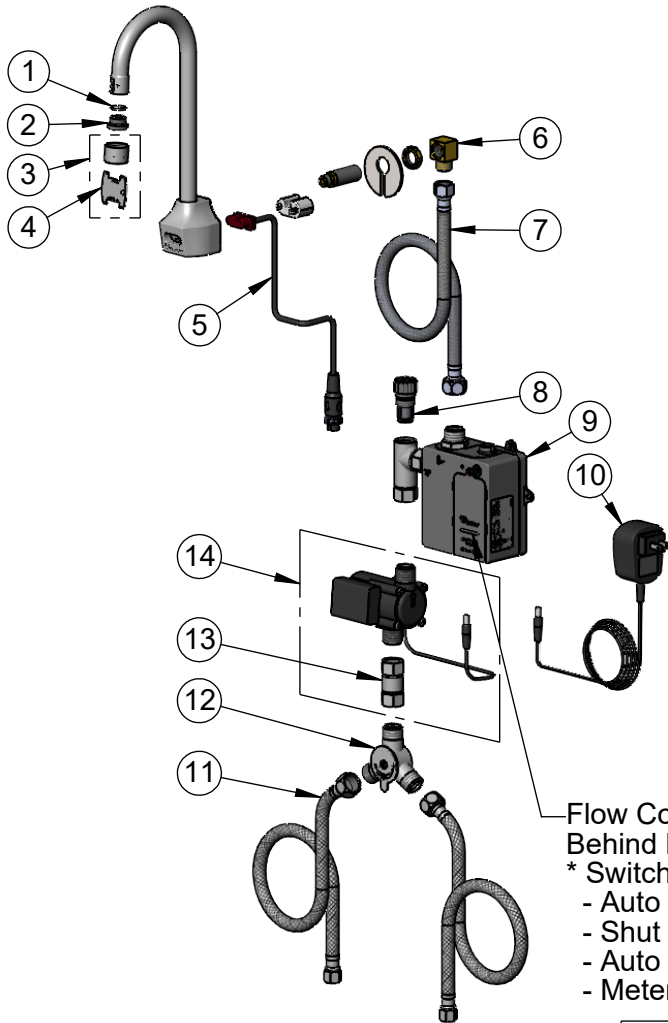
2 Saddleback Cove / P.O. Box 1088
Travelers Rest, SC 29690

Model No.

EC-3101-HG-1W-S

Item No.

Travelers Rest, SC: 800-476-4103 • Simi Valley, CA: 800-423-0150 • Fax: 864-834-3518 • www.tsbrass.com

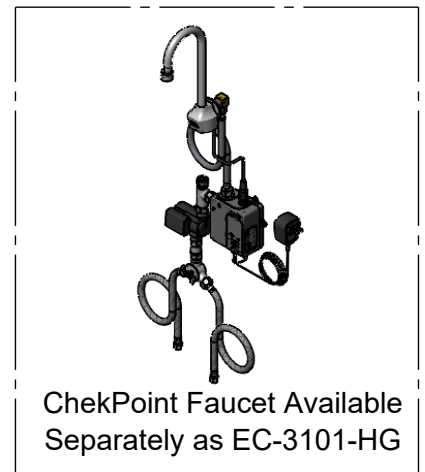
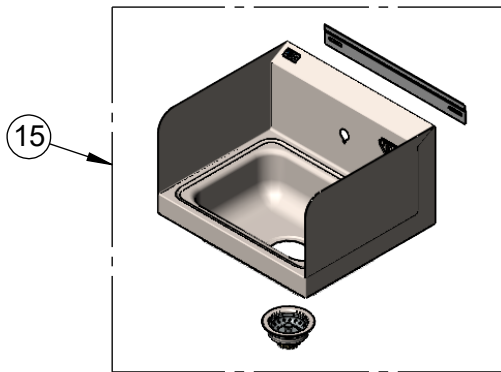


| ITEM NO. | SALES NO. | DESCRIPTION |
|----------|--------------|--|
| 1 | 006575-45 | O-Ring |
| 2 | 044A | 3/8" to Aerator Adapter |
| 3 | B-0199-06 | VR 2.2 GPM Aerator, 55/64-27 Female w/ Key |
| 4 | 015425-45 | Vandal Resistant Key |
| 5 | 019174-45 | Sensor Cable Assembly |
| 6 | 015345-20 | Low Profile Elbow, 3/8 NPSM |
| 7 | 016325-45 | Flex Connector, 3/8 NPSM x 1/2 NPSM |
| 8 | EC-FILTER | Replacement Filter |
| 9 | 019944-45 | ChekPoint Control Module w/ Filter Tee |
| 10 | 5EF-0002C | AC Adapter - US Plug |
| 11 | 5EF-0005 | Supply Hose, 9/16-24 Female x 1/2" NPSM |
| 12 | 5EF-0006 | Mechanical Mixing Valve |
| 13 | 017506-45 | Swivel Coupling Body |
| 14 | EC-HYDROGEN | HydroGenerator Power Supply |
| 15 | HS-1715-1W-S | 17" x 15" Sink w/ Side Splash Shields & Drain Assembly |

Flow Control Switches are Located Behind Battery Compartment Cover.

* Switches are Set to DEFAULT Position:

- Auto Time Out = 15 Seconds
- Shut Off Delay = 1 Second
- Auto Flush = OFF
- Metering Mode = OFF



ChekPoint Faucet Available Separately as EC-3101-HG

* Available Water Flow Control Selections:

- Auto Time Out: 15 sec, 30 sec, 45 sec, 60 sec, 3 min, 20 min
- Shut Off Delay: 1 sec, 10 sec, 15 sec, 30 sec
- Auto Flush (30 Seconds After Every 12 Inactive Hours): ON or OFF
- Metering Mode: ON or OFF

Product Specifications:

Hand Wash Sink / Elec. Sensor Faucet, Stainless Steel Sink / Backsplash, Side Splash Shields, 3 1/2" Drain Assembly, Electronic Sensor Faucet, Wall Mount Rigid Gooseneck w/ 2.2 GPM VR Aerator, AC/DC Control Module w/ Internal Flow Cont. Setting Switches, Temperature Control Mixing Valve w/ Check Valves, Hydro-Generator 18" Hot & Cold Supply Stop Flexible Connector Hoses

Product Compliance:

ASME A112.18.1 / CSA B125.1
ASME A112.19.3 / CSA B45.4 (Sink & Drain)
NSF 61 - Section 9
NSF 372 (Low Lead Content)
UL 1951
ANSI A117.1 (ADA)
NSF / ANSI 2 (Sink & Drain)
ASME A112.18.2/CSA B125.2 (Drain)