

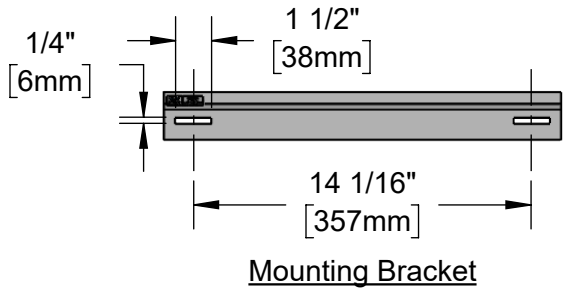


T&S BRASS AND BRONZE WORKS, INC.
 2 Saddleback Cove / P.O. Box 1088
 Travelers Rest, SC 29690

Model No.
HS-1715-1W

Item No.

Travelers Rest, SC: 800-476-4103 • Simi Valley, CA: 800-423-0150 • Fax: 864-834-3518 • www.tsbrass.com



This Space for Architect/Engineer Approval

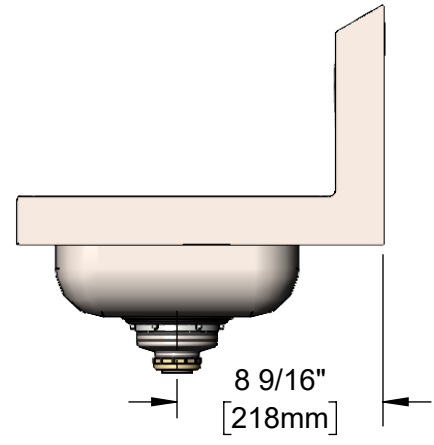
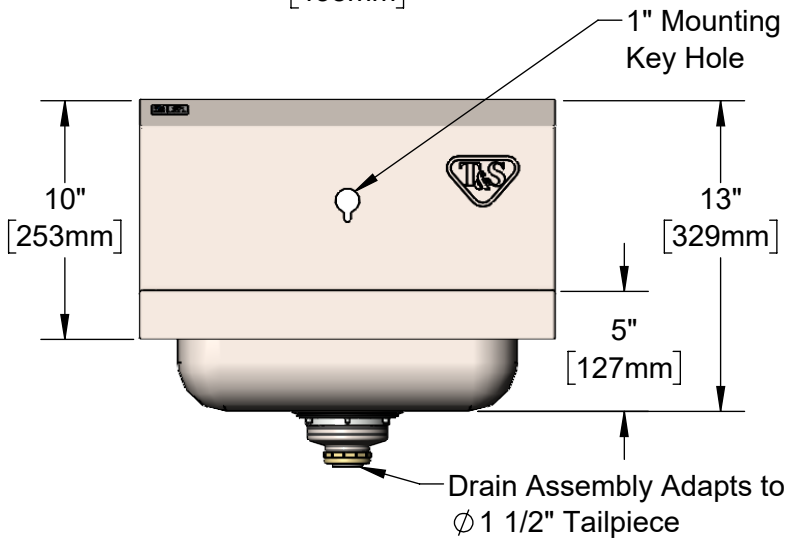
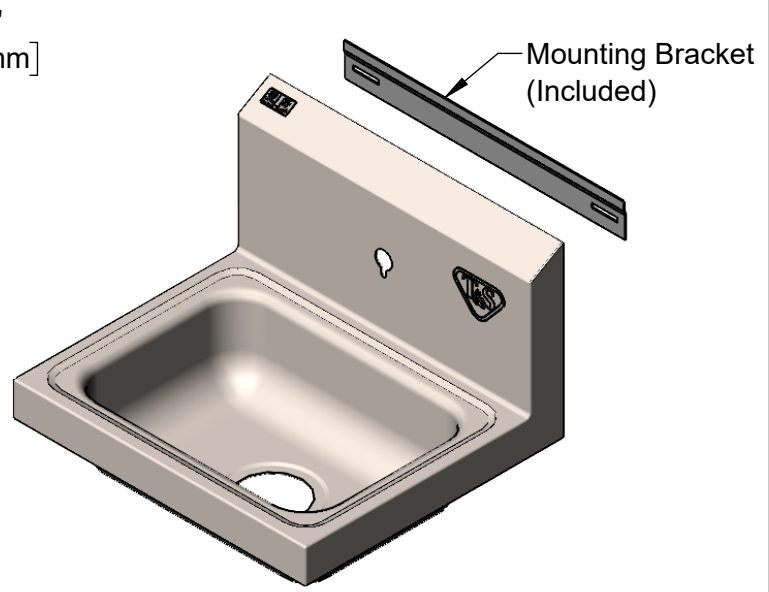
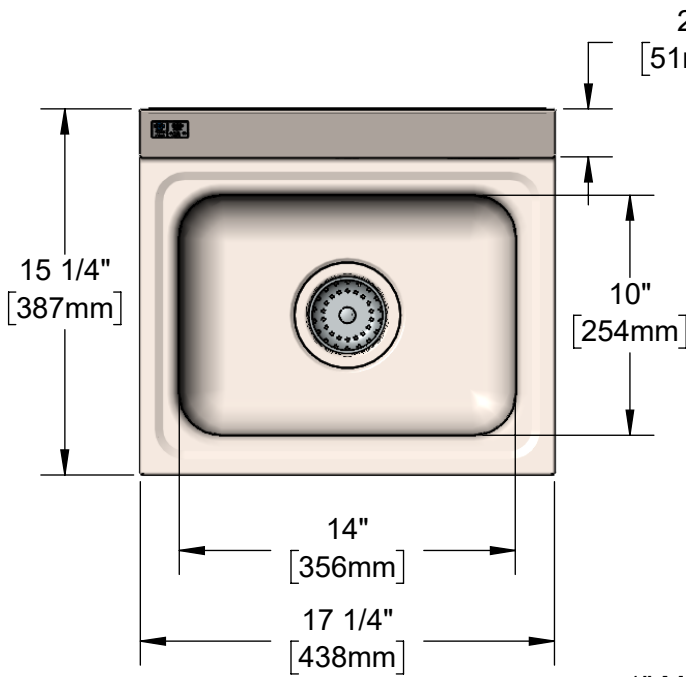
Job Name _____ Date _____

Model Specified _____ Quantity _____

Customer/Wholesaler _____

Contractor _____

Architect/Engineer _____



Product Specifications:
 Hand Wash Sink w/ Backsplash, Drain Assembly and Mounting Bracket,
 NSF Approved, Stainless Steel, 17" x 15" Overall, 14" x 10" Bowl, Single
 Faucet Mounting Hole, 3 1/2" Drain Hole

Product Compliance:
 ASME A112.19.3 / CSA B45.4 (Sink & Drain)
 NSF / ANSI 2 (Sink & Drain)
 ASME A112.18.2 / CSA B125.2 (Drain)