



Hand Sinks
HS-1715-1W

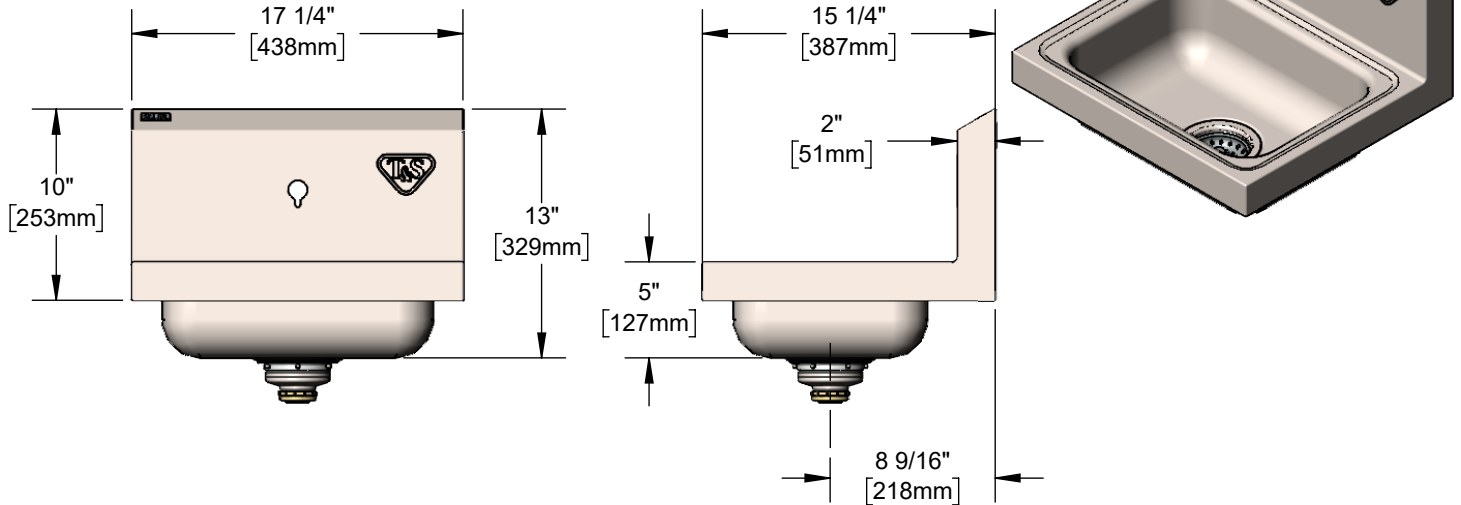
TAG:

Hand Sink

Architect/Engineering Specifications:

Stainless steel wall-mounted hand sink with backsplash, 3 1/2" drain that adapts to 1 1/2" drain pipe, mounting bracket and a single 1" key hole in the backsplash for a single hole wall mount faucet. Certified to ASME A112.19.3 / CSA B45.4 and ASME A112.18.2 / CSA B125.1.

Job Name _____
 Model Specified _____ Quantity _____
 Variations Specified _____
 Date _____



Features & Benefits:

- Stainless steel wall-mounted hand sink
- Backsplash w/ 1" key hole for single hole wall mounted faucets
- Mounting bracket is included
- 3 1/2" drain adapts to 1 1/2" drain pipe
- Material: Stainless steel sink

Product Compliance:

- ASME A112.19.3 / CSA B45.4 (Sink & Drain)
- NSF / ANSI 2 (Sink & Drain)
- ASME A112.18.2 / CSA B125.2 (Drain)



Warranty: One Year (Limited)

Performance Data:

- Discharge Rate: 18.00 GPM [68.14 L/min] max



T&S BRASS AND BRONZE WORKS, INC.



• 2 Saddleback Cove • Travelers Rest, SC 29690
 Ph 800-476-4103 • Fax 864-834-3518
 • Simi Valley, CA • Ph 800-423-0150 • www.tsbrass.com

Date: 11/06/24