

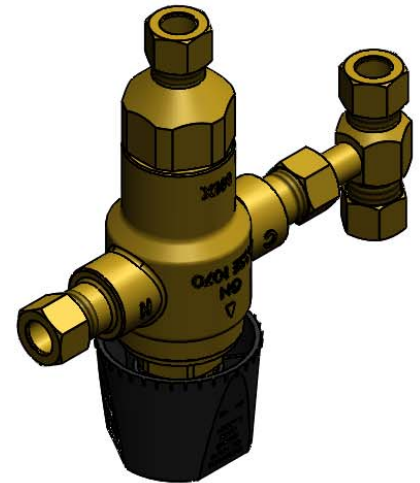
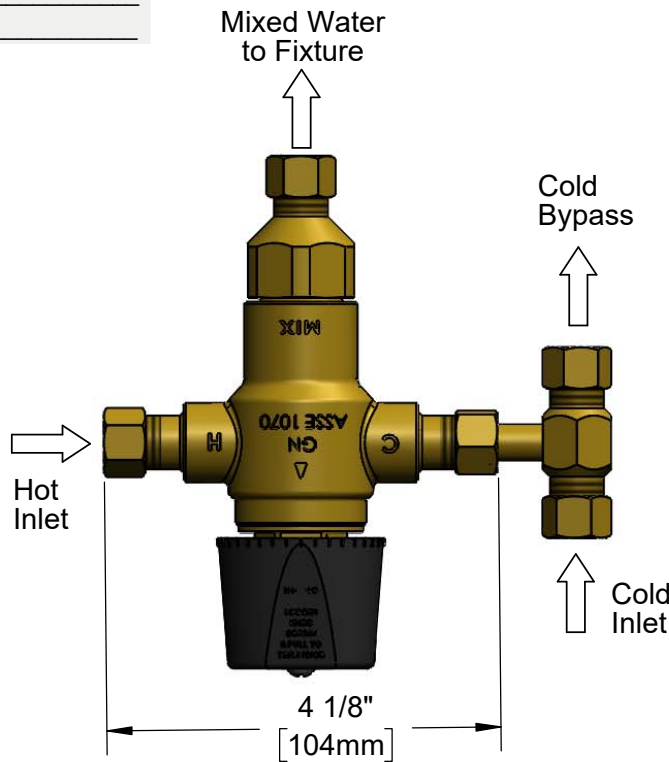
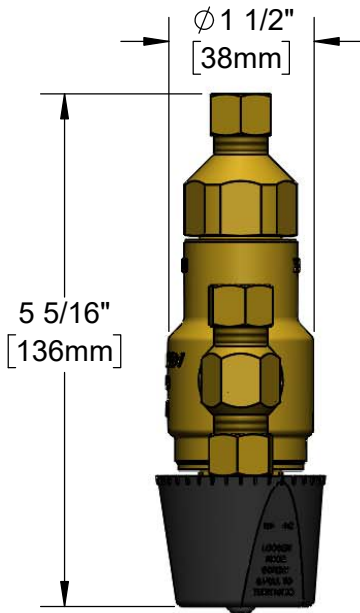


BP-TMV-38C-CBT *Thermostatic Mixing Valve with Cold Bypass Tee*

Architect/Engineering Specifications:

Thermostatic mixing valve with brass body, vandal resistant locking temperature adjustment knob, integral check valves with filter screens and 3/8" compression (or 9/16-24 male) connections. Includes cold water bypass tee that connects to the cold side of the mixing valve. Certified to NSF 61-Section 9, NSF 372 and ASSE 1070.

Job Name _____
 Model Specified _____ Quantity _____
 Variations Specified _____
 Date _____



Features & Benefits:

- Thermostatic mixing valve with brass body
- Vandal resistant locking temperature adjustment knob
- Factory pre-set temperature approximately 100°F (38 °C)
- Integral check valves with filter screens in hot and cold inlets
- 3/8" compression connections (converts to 9/16-24 male thread by removing lock nuts and ferrules)
- Cold water bypass tee included
- Material: Brass body

Product Compliance:

- NSF 61 - Section 9
- NSF 372 (Low Lead Content)
- ASSE 1070 (TMV)

Warranty: One Year (Limited)

Performance Data:

- Pressure: 20 - 125 psi [1.38 - 8.62 bar]
- Hot Water Inlet Temperature: 120 °F - 180 °F [49 °C - 82 °C]
- Outlet Temperature Range: 80 °F - 120 °F [27 °C - 49 °C]
- Minimum Flow Rate: 0.35 GPM [1.32 LPM]

