



Pre-Rinse Units
SMPK-8WLN-06-CR

EVERSTEEL **EasyInstall**

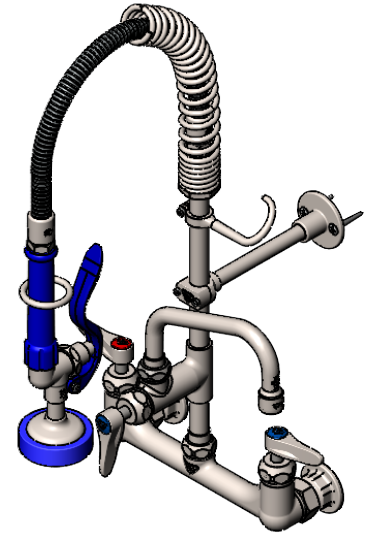
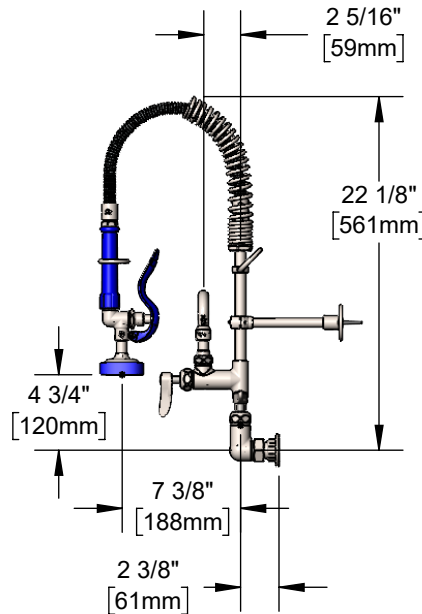
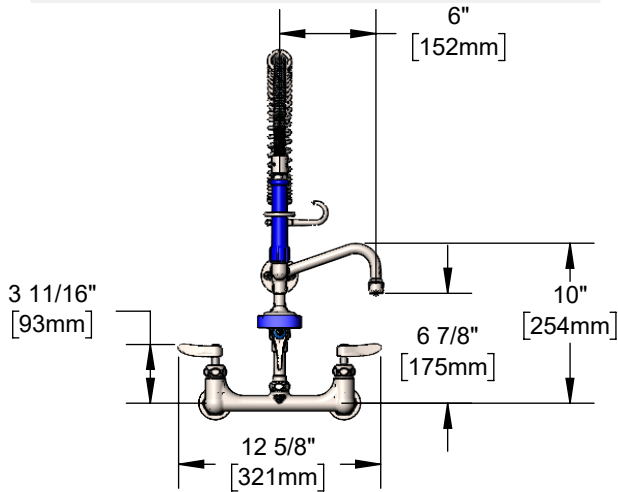
Mini Pre-Rinse Unit

TAG:

Architect/Engineering Specifications:

8" stainless steel wall mount mixing faucet, stainless steel add-on faucet, stainless steel 6" swing nozzle with stream regulator outlet, stainless steel 8" riser, 24" flexible stainless steel hose with heat resistant handle, stainless steel 1.15 GPM spray valve, stainless steel ceramic cartridges with check valves, stainless steel lever handles, stainless steel 1/2" NPT female inlets, stainless steel 6" adjustable wall bracket, stainless steel spray valve holder and stainless steel overhead spring. Certified to ASME A112.18.1/CSA B125.1, NSF 61-Section 9 and NSF 372. 2019 DOE PRSV - Class I compliant.

Job Name _____
 Model Specified _____ Quantity _____
 Variations Specified _____
 Date _____



Features & Benefits:

- All stainless steel construction with brushed finish
- 8" wall mount mixing faucet w/ stainless steel body
- Stainless steel EasyInstall add-on faucet
- Stainless steel 6" swing nozzle w/ stream regulator outlet, Series 1
- Stainless steel 8" rigid riser
- 24" flexible stainless steel hose w/ heat resistant blue handle and hold down ring
- Stainless steel 1.15 GPM spray valve
- Stainless steel quarter-turn Cerama cartridges with check valves to prevent cross flow of water
- Stainless steel lever handles w/ color coded indexes
- Adjustable centers from 7 3/4" to 8 1/4"
- Stainless steel 1/2" NPT female eccentric inlets with $\phi 2"$ flanges
- Stainless steel 6" adjustable wall bracket
- Material: Stainless steel body, tubular nozzle, add-on faucet body, riser, spray valve, hose, cartridges and handles

Product Compliance:

- ASME A112.18.1 / CSA B125.1
- NSF 61 - Section 9
- NSF 372 (Low Lead Content)
- 2019 DOE PRSV - Class II
- For Commercial Use Only



Warranty: Lifetime (Limited)

Performance Data:

- Pressure: 20 - 125 psi [1.38 - 8.62 bar]
- Temperature: 40°F - 140°F [4.44°C - 60°C]
- Flow Rate:
 Spray Valve: 1.15 GPM [4.35 L/min] @ 60 psi [4.14 bar]
 Add-On Faucet: 5.35 GPM [20.25 L/min] @ 60 psi [4.14 bar]

Stainless Steel T&S Swing Nozzles

- S059X 6" Swing Nozzle (Standard)
- S060X 8" Swing Nozzle
- S062X 12" Swing Nozzle

Stainless Steel Optional Pre-Rinse Spray Valves

- S-0107 (1.15 GPM) (Standard)
- S-0107-J (1.07 GPM)



T&S BRASS AND BRONZE WORKS, INC.



• 2 Saddleback Cove • Travelers Rest, SC 29690
 Ph 800-476-4103 • Fax 864-834-3518
 • Simi Valley, CA • Ph 800-423-0150 • www.tsbrass.com

Date: 10/18/24