



**T&S BRASS AND BRONZE WORKS, INC.**  
 2 Saddleback Cove / P.O. Box 1088  
 Travelers Rest, SC 29690

Model No.

**SMPK-2LSN-06**

Item No.

Travelers Rest, SC: 800-476-4103 • Simi Valley, CA: 800-423-0150 • Fax: 864-834-3518 • www.tsbrass.com

This Space for Architect/Engineer Approval

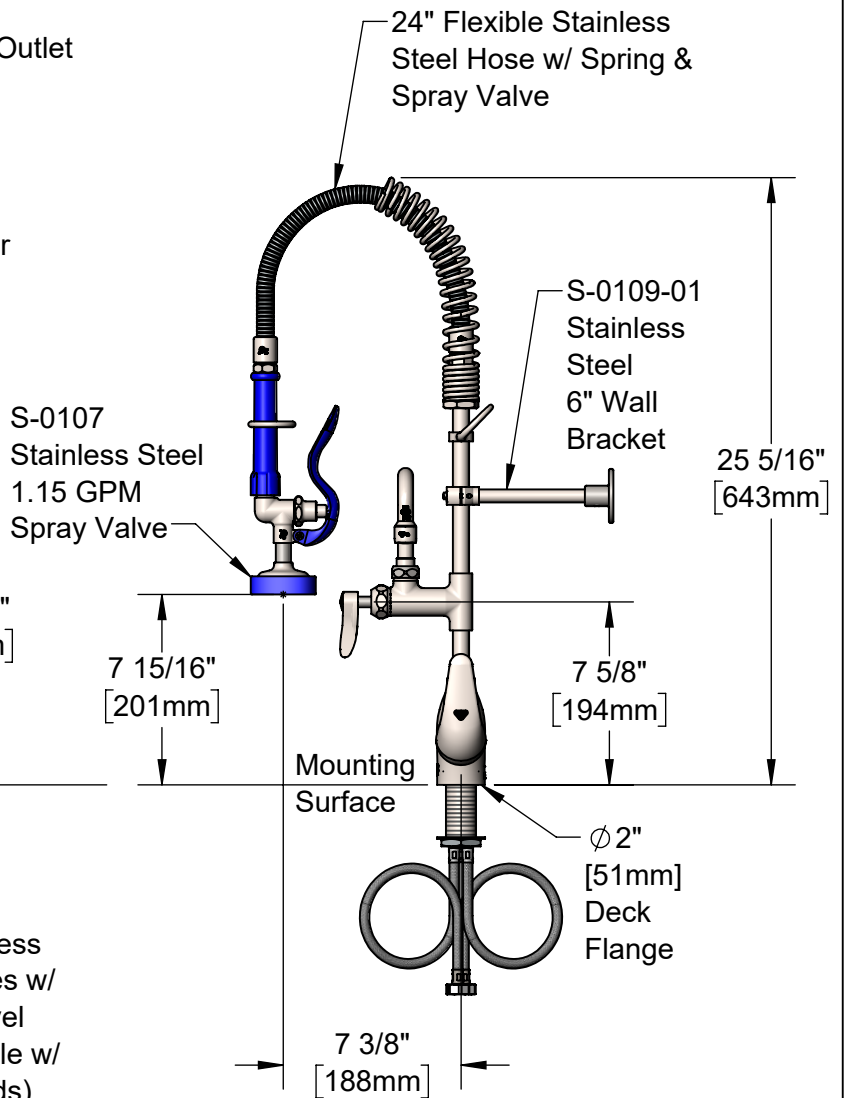
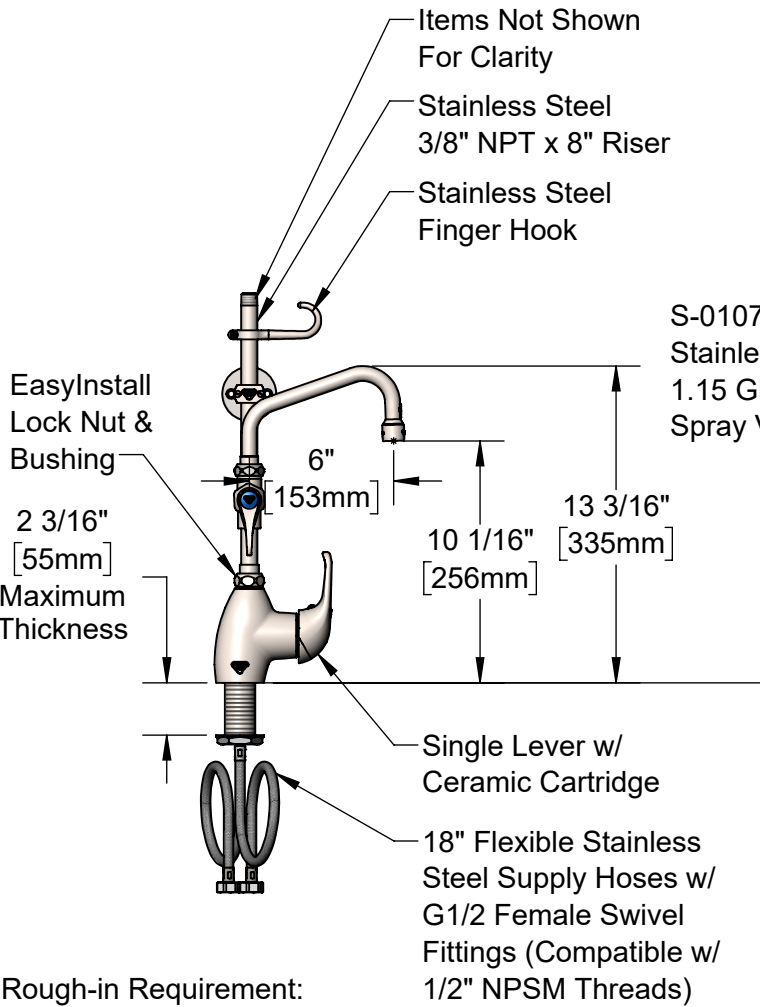
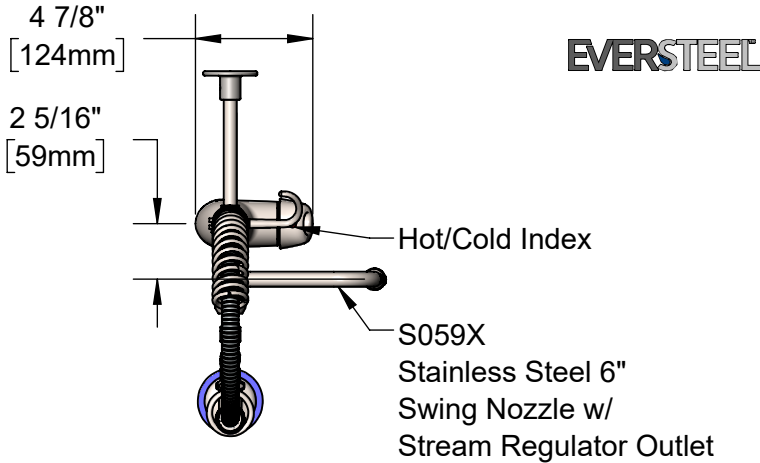
Job Name \_\_\_\_\_ Date \_\_\_\_\_

Model Specified \_\_\_\_\_ Quantity \_\_\_\_\_

Customer/Wholesaler \_\_\_\_\_

Contractor \_\_\_\_\_

Architect/Engineer \_\_\_\_\_



Rough-in Requirement:  
 Ø 1 1/2" [38mm] Mounting Hole

Product Specifications:

Pre-Rinse Unit: EasyInstall Stainless Steel Single Hole Deck Mount Single Lever Faucet, Ceramic Cartridge, SS Add-On Faucet, SS 6" Swing Nozzle, 24" Flexible Stainless Steel Hose, Stainless Steel 1.15 GPM Spray Valve, Stainless Steel 6" Wall Bracket & Flexible Stainless Steel Supply Hoses

Product Compliance:

ASME A112.18.1 / CSA B125.1  
 NSF 61 - Section 9  
 NSF 372 (Low Lead Content)  
 2019 DOE PRSV - Class II



# T&S BRASS AND BRONZE WORKS, INC.

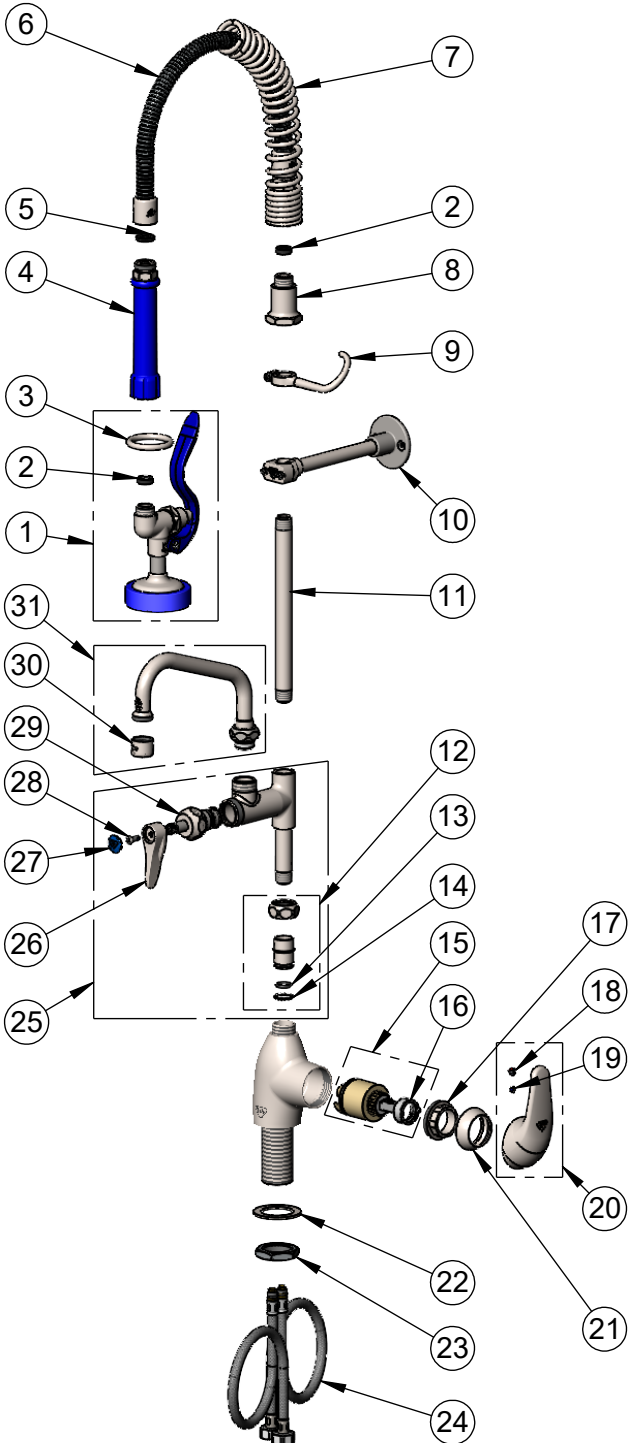
2 Saddleback Cove / P.O. Box 1088  
Travelers Rest, SC 29690

Model No.

**SMPK-2LSN-06**

Item No.

Travelers Rest, SC: 800-476-4103 • Simi Valley, CA: 800-423-0150 • Fax: 864-834-3518 • www.tsbrass.com



ITEM NO.	SALES NO.	DESCRIPTION
1	S-0107	Stainless Steel 1.15 GPM Spray Valve (Blue)
2	010476-45	#27 Washer
3	S000907-30	Spray Valve Hold Down Ring
4	S011482-30	Stainless Steel Grip Handle (Blue)
5	001014-45	Washer, Hose Barrel
6	S-0024-H2A	Flexible Stainless Steel Hose
7	S016795-30	Compact Spring
8	S000821-30	Spring Body
9	S004R	Finger Hook
10	S-0109-01	Stainless Steel 6" Wall Bracket
11	S078X	3/8" NPT x 8" Riser
12	SEZ-K	Stainless Steel EasyInstall Kit: Nut, Bushing, O-Ring & Lock Washer
13	001065-45	O-Ring
14	014200-45	Star Washer, Anti-Rotation
15	013111-45	Ceramic Cartridge w/ Temperature Limit Stop
16	015400-45	Temperature Limit Stop
17	S021022-20	Locking Nut, Stainless Steel
18	014173-45	Index, Temperature
19	016675-45	Set Screw
20	S021020-30	Single Lever Handle, Stainless Steel
21	S021021-30	Trim Ring, Stainless Steel
22	S020656-20	Washer, Stainless Steel
23	S020655-20	Lock Nut
24	012436-45DR	Flexible Connector Hose
25	S-0155-CR-LNEZ	Stainless Steel EasyInstall Add-On Faucet w/ Cerama Cartridge & Lever Handle (Less Nozzle)
26	S001638-30NS	Lever Handle (New Style)
27	018506-19NS	Blue Button Index, Press-in
28	000925-45	Lab Handle Screw
29	S012394-30NS	Stainless Steel Quarter-Turn Cerama Cartridge w/ Check Valve, RTC
30	S-PT	Stainless Steel Full Flow Stream Regulator, 55/64-27
31	S059X	Stainless Steel 6" Swing Nozzle

**Product Specifications:**

Pre-Rinse Unit: EasyInstall Stainless Steel Single Hole Deck Mount Single Lever Faucet, Ceramic Cartridge, SS Add-On Faucet, SS 6" Swing Nozzle, 24" Flexible Stainless Steel Hose, Stainless Steel 1.15 GPM Spray Valve, Stainless Steel 6" Wall Bracket & Flexible Stainless Steel Supply Hoses

**Product Compliance:**

ASME A112.18.1 / CSA B125.1  
NSF 61 - Section 9  
NSF 372 (Low Lead Content)  
2019 DOE PRSV - Class II