



T&S BRASS AND BRONZE WORKS, INC.
 2 Saddleback Cove / P.O. Box 1088
 Travelers Rest, SC 29690

Model No.
S-0155-CR-LNEZ

Item No.

Travelers Rest, SC: 800-476-4103 • Simi Valley, CA: 800-423-0150 • Fax: 864-834-3518 • www.tsbrass.com

This Space for Architect/Engineer Approval

Job Name _____ Date _____

Model Specified _____ Quantity _____

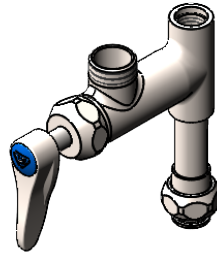
Customer/Wholesaler _____

Contractor _____

Architect/Engineer _____



ADA Compliant

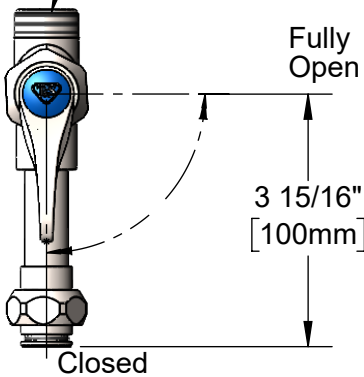


Swivel to Rigid Lock Washer (Included)

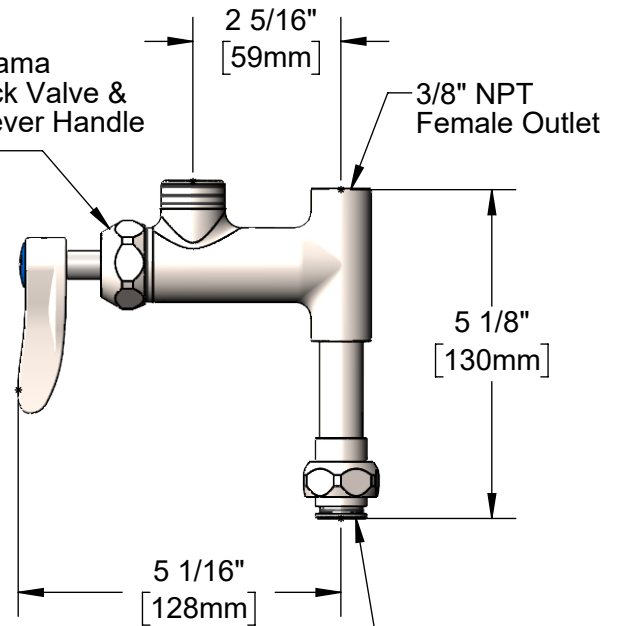
3/8" Hex L-Key to Remove Existing Riser Swivel Piece (Included)



Swivel Outlet Accepts T&S Stainless Steel Swing Nozzles



Stainless Steel Quarter-Turn Cerama Cartridge w/ Check Valve & Stainless Steel Lever Handle w/ Blue Index



Inlet Connection Fits Stainless Steel T&S EasyInstall Base Faucets (See Note 3)

Notes:

1. Add-On Faucet is an Addition to Pre-Rinse Units and is Installed in Outlets of Base Mixing Faucets of Units Before Fitting Riser Pipes
2. Lever Handle Controls Water On-Off Thru Nozzle Only. Pressure is Always "On" in Riser Pipe (Controlled by Base Mixing Faucet)
3. Place Lock Washer into Base Faucet Outlet & Lubricate O-Ring Prior to Installing Add-On Faucet

Product Specifications:

Stainless Steel Add-On Faucet w/ Quarter-Turn Cerama Cartridge w/ Check Valve, Lever Handle, 3" Nipple (Less Nozzle)

Product Compliance:

ASME A112.18.1 / CSA B125.1
 NSF 61 - Section 9
 NSF 372 (Low Lead Content)
 ANSI A117.1 (ADA)



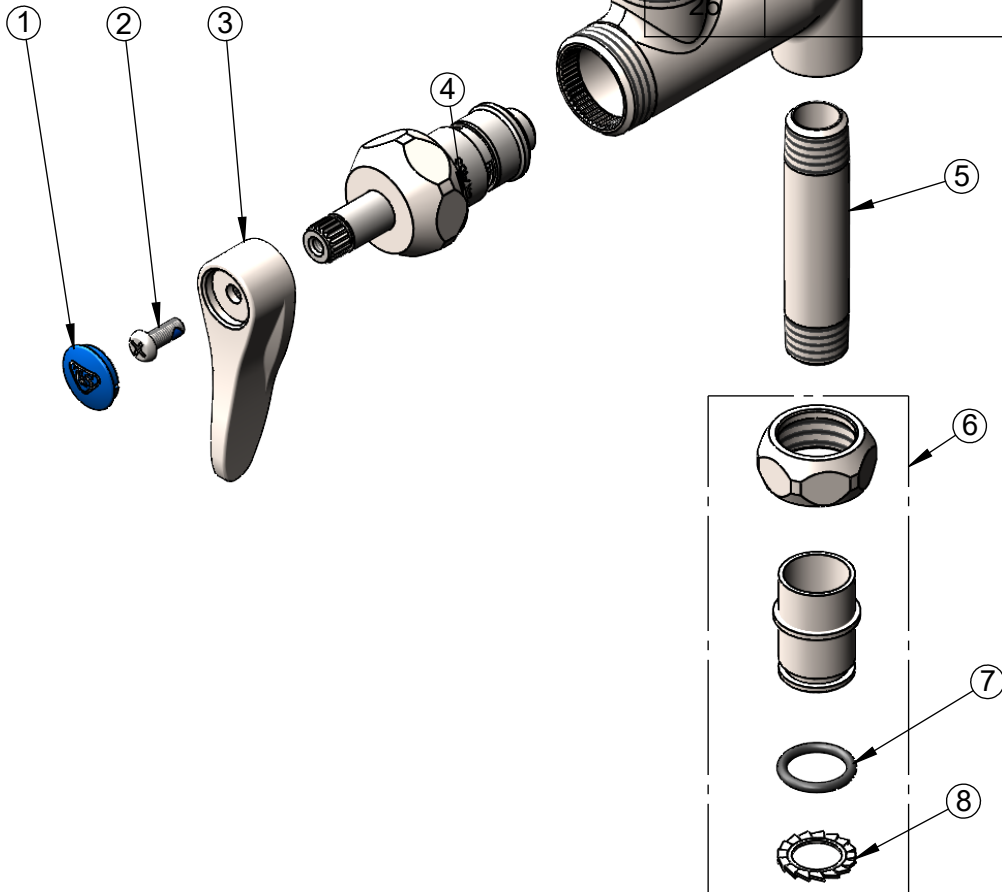
T&S BRASS AND BRONZE WORKS, INC.
 2 Saddleback Cove / P.O. Box 1088
 Travelers Rest, SC 29690

Model No.
S-0155-CR-LNEZ

Item No.

Travelers Rest, SC: 800-476-4103 • Simi Valley, CA: 800-423-0150 • Fax: 864-834-3518 • www.tsbrass.com

| ITEM NO. | SALES NO. | DESCRIPTION |
|----------|--------------|--|
| 1 | 018506-19NS | Blue Button Index, Press-in |
| 2 | 000925-45 | Lab Handle Screw |
| 3 | S001638-30NS | Lever Handle (New Style) |
| 4 | S012394-30NS | Quarter-Turn Eterna Cartridge w/ Spring Check, RTC |
| 5 | S000358-30 | Nipple, 3/8" NPT x 3" |
| 6 | SEZ-K | EasyInstall Installation Kit |
| 7 | 001065-45 | O-Ring |
| 8 | 014200-45 | Star Washer, Anti-Rotation |
| 22 | | Stainless Steel Barrel, LTC Ceramic Cartridge (COLD) |
| 23 | | Bearing Ring, Ceramic Cartridge, UHMW-PE |
| 24 | | Diffuser, Ceramic Cartridge (KTW-BWGL) |
| 25 | | Seal, Seat, Ceramic Cartridge, 70 Duro EPDM |



Product Specifications:

Stainless Steel Add-On Faucet w/ Quarter-Turn Cerama Cartridge w/ Check Valve, Lever Handle, 3" Nipple (Less Nozzle)

Product Compliance:

ASME A112.18.1 / CSA B125.1
 NSF 61 - Section 9
 NSF 372 (Low Lead Content)
 ANSI A117.1 (ADA)