



Pre-Rinse Units
SMPK-2LSN-00

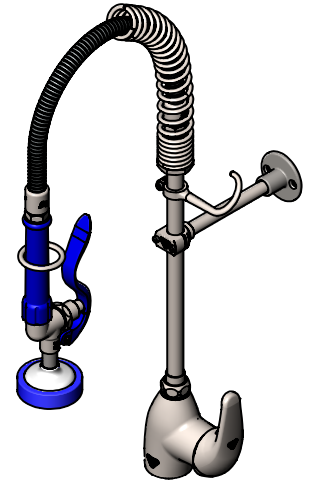
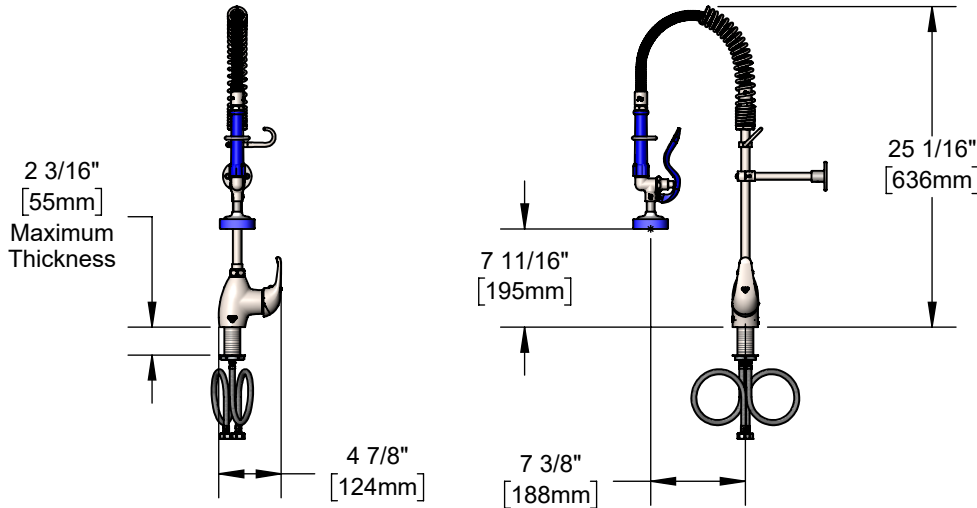
TAG:

EVERSTEEL **EasyInstall** *Mini Pre-Rinse Unit*

Architect/Engineering Specifications:

Single hole stainless steel deck mount single lever faucet, stainless steel 12" riser, 24" flexible stainless steel hose with heat resistant handle, stainless steel 1.15 GPM spray valve, ceramic cartridge, 18" flexible stainless steel supply hoses with G1/2 female swivel connections, stainless steel 6" adjustable wall bracket, stainless steel spray valve holder and stainless steel overhead spring. Certified to ASME A112.18.1/CSA B125.1, NSF 61-Section 9 and NSF 372. 2019 DOE PRSV - Class II compliant.

Job Name _____
 Model Specified _____ Quantity _____
 Variations Specified _____
 Date _____



Features & Benefits:

- Deck mount single lever faucet w/ brushed stainless steel body
- Stainless steel EasyInstall riser for quick installation
- 24" flexible stainless steel hose w/ heat resistant blue handle and hold down ring
- Stainless steel 1.15 GPM spray valve
- Ceramic cartridge
- Stainless steel 6" adjustable wall bracket
- 18" flexible stainless steel supply hoses w/ G1/2 female swivel connections (compatible w/ 1/2" NPSM threads)
- Material: Brushed stainless steel body and handle, stainless steel tubular nozzle, riser, spray valve, flexible hose, and stainless steel supply hoses

Product Compliance:

- ASME A112.18.1 / CSA B125.1
- NSF 61 - Section 9
- NSF 372 (Low Lead Content)
- 2019 DOE PRSV - Class II



Warranty: Lifetime (Limited)

- Ceramic Cartridge: Two Year (Limited)

Performance Data:

- Pressure: 20 - 125 psi [1.38 - 8.62 bar]
- Temperature: 40°F - 140°F [4.44°C - 60°C]
- Flow Rate:
 Spray Valve: 1.15 GPM [4.35 L/min] @ 60 psi [4.14 bar]

**Stainless Steel
Optional Pre-Rinse Spray Valves**

- S-0107 (1.15 GPM) (Standard)
- S-0107-C (0.65 GPM)
- S-0107-J (1.07 GPM)
- S-0107-Y (1.15 GPM)



T&S BRASS AND BRONZE WORKS, INC.



• 2 Saddleback Cove • Travelers Rest, SC 29690
 Ph 800-476-4103 • Fax 864-834-3518
 • Simi Valley, CA • Ph 800-423-0150 • www.tsbrass.com

Date: 06/04/24