



# Pre-Rinse Units

## SMPY-2LSN-06

TAG:

EVERSTEEL

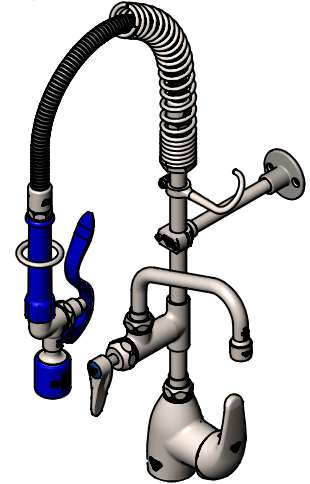
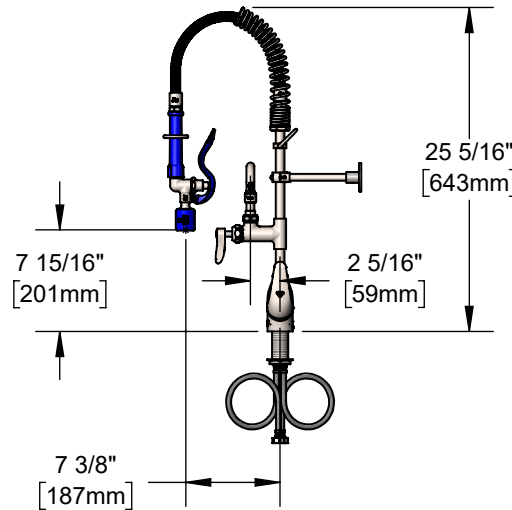
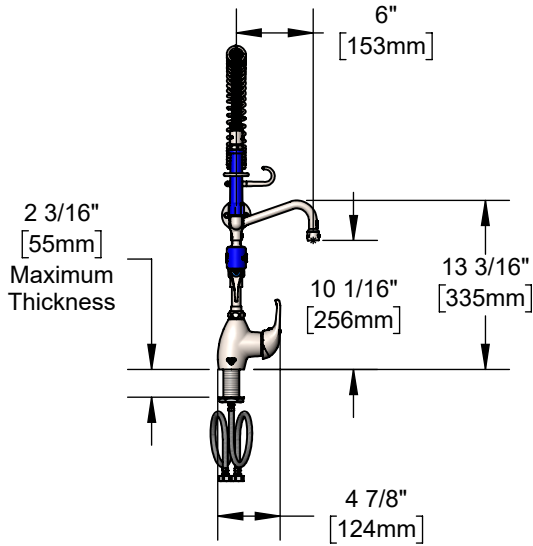
EasyInstall

Mini Pre-Rinse Unit

### Architect/Engineering Specifications:

Single hole stainless steel deck mount single lever faucet, stainless steel add-on faucet, stainless steel 6" swing nozzle with stream regulator outlet, stainless steel 8" riser, 24" flexible stainless steel hose with heat resistant handle, stainless steel 0.65 GPM low flow spray valve, ceramic cartridge, 18" flexible stainless steel supply hoses with G1/2 female swivel connections, stainless steel 6" adjustable wall bracket, stainless steel spray valve holder and stainless steel overhead spring. Certified to ASME A112.18.1/CSA B125.1, NSF 61-Section 9 and NSF 372. 2019 DOE PRSV - Class I compliant.

Job Name \_\_\_\_\_  
 Model Specified \_\_\_\_\_ Quantity \_\_\_\_\_  
 Variations Specified \_\_\_\_\_  
 Date \_\_\_\_\_



### Features & Benefits:

- Deck mount single lever faucet w/ brushed stainless steel body
- Stainless steel EasyInstall add-on faucet
- Stainless steel 6" swing nozzle w/ stream regulator outlet, Series 1
- Stainless steel 8" rigid riser
- 24" flexible stainless steel hose w/ heat resistant blue handle and hold down ring
- Stainless steel 0.65 GPM low flow spray valve
- Ceramic cartridge
- Stainless steel 6" adjustable wall bracket
- 18" flexible stainless steel supply hoses w/ G1/2 female swivel connections (compatible w/ 1/2" NPSM threads)
- Material: Brushed stainless steel body and handle, stainless steel tubular nozzle, add-on faucet body, riser, spray valve, flexible hose, and stainless steel supply hoses

### Product Compliance:

- ASME A112.18.1 / CSA B125.1
- NSF 61 - Section 9
- NSF 372 (Low Lead Content)
- 2019 DOE PRSV - Class I



### Warranty: Lifetime (Limited)

- Ceramic Cartridge: Two Year (Limited)

### Performance Data:

- Pressure: 20 - 125 psi [1.38 - 8.62 bar]
- Temperature: 40°F - 140°F [4.44°C - 60°C]
- Flow Rate:
  - Spray Valve: 0.65 GPM [2.46 L/min] @ 60 psi [4.14 bar]
  - Add-On Faucet: 5.13 GPM [19.42 l/min] @ 60 psi [4.14 bar]

### Stainless Steel T&S Swing Nozzles

- S059X 6" Swing Nozzle (Standard)
- S060X 8" Swing Nozzle
- S062X 12" Swing Nozzle
- S063X 14" Swing Nozzle
- S065X 18" Swing Nozzle

### Stainless Steel Optional Pre-Rinse Spray Valves

- S-0107 (1.15 GPM)
- S-0107-C (0.65 GPM) (Standard)
- S-0107-J (1.07 GPM)
- S-0107-Y (1.15 GPM)



T&S BRASS AND BRONZE WORKS, INC.



• 2 Saddleback Cove • Travelers Rest, SC 29690  
 Ph 800-476-4103 • Fax 864-834-3518  
 • Simi Valley, CA • Ph 800-423-0150 • www.tsbrass.com

Date: 06/04/24