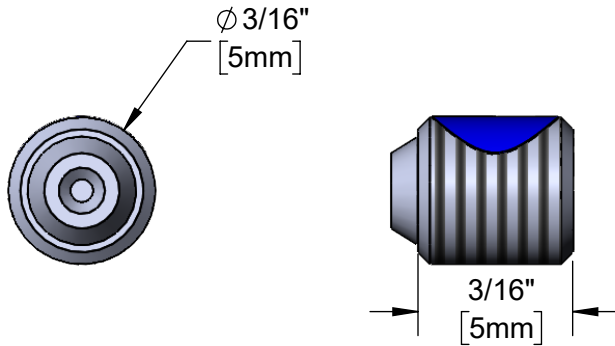
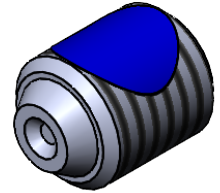




Architect/Engineering Specifications:

Stainless steel set screw with M5 thread and thread-locking patch.

Job Name _____
Model Specified _____ Quantity _____
Variations Specified _____
Date _____



Features & Benefits:

- Stainless steel set screw
- M5 thread
- Thread-locking patch
- 2.5mm Hex
- Material: Stainless steel

Product Compliance:

- N/A

Warranty: One Year (Limited)

Performance Data:

- N/A

