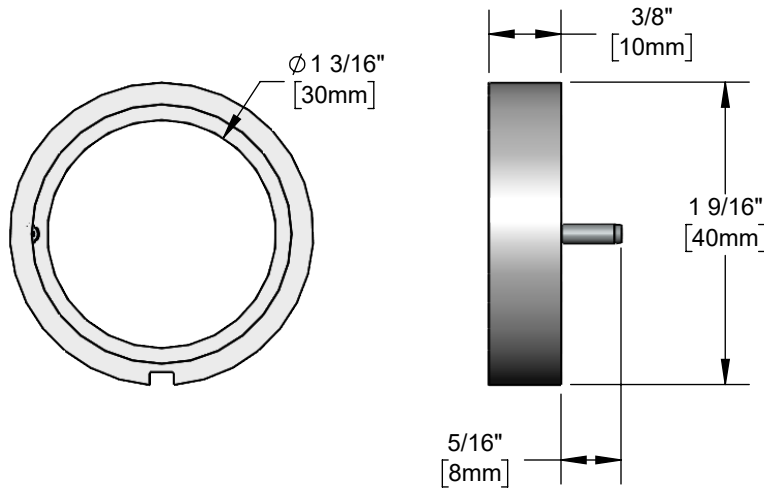
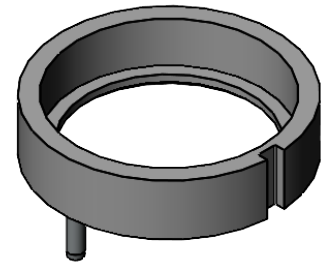




Architect/Engineering Specifications:

Metering cartridge shield and pin, polished chrome plated brass.

Job Name _____
 Model Specified _____ Quantity _____
 Variations Specified _____
 Date _____



Features & Benefits:

- Metering cartridge shield and pin
- Material: Polished chrome plated brass shield and stainless steel pin

Product Compliance:

- N/A

Warranty: One Year (Limited)

Performance Data:

- N/A

