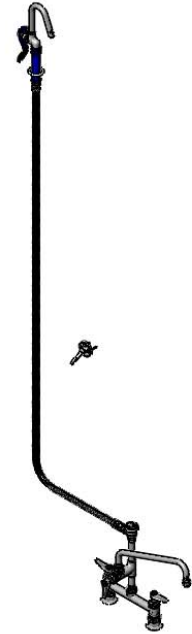
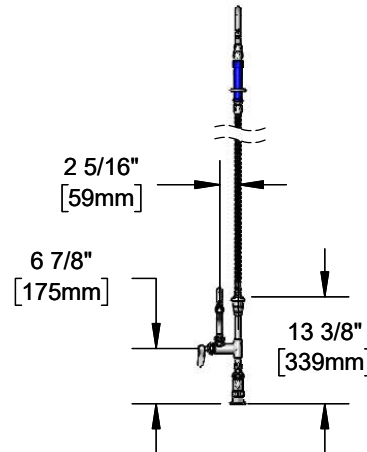
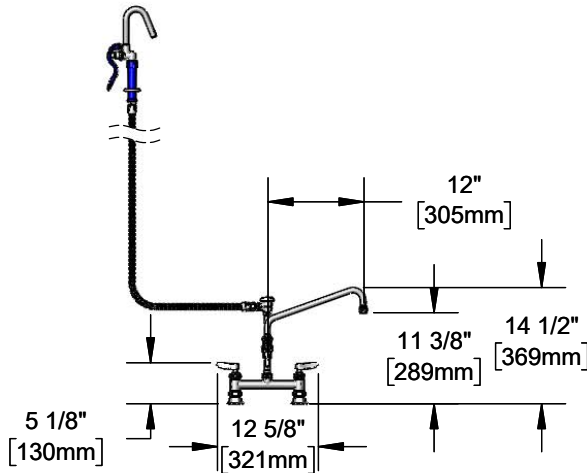




**Architect/Engineering Specifications:**

8" deck mount mixing faucet with polished chrome plated brass body, add-on faucet with ceramic cartridge with check valve and lever handle, 12" swing nozzle with stream regulator outlet, vacuum breaker, 80" flexible stainless steel hose, heat resistant handle, spray valve with hook nozzle, hose hanger hook, ceramic cartridges with check valves, lever handles and 1/2" NPT female inlets. Certified to ASME A112.18.1/CSA B125.1, NSF 61-Section 9, NSF 372 and ASSE 1001.

Job Name \_\_\_\_\_  
 Model Specified \_\_\_\_\_ Quantity \_\_\_\_\_  
 Variations Specified \_\_\_\_\_  
 Date \_\_\_\_\_



**Features & Benefits:**

- 8" deck mount polished chrome plated brass body
- Add-on faucet with polished chrome plated brass body
- 12" swing nozzle with stream regulator outlet, Series 1
- 3/8" NPT vacuum breaker
- 80" flexible stainless steel hose w/ heat resistant blue handle and hold down ring
- Spray valve with hook nozzle
- Quarter-turn Cerama cartridges w/ check valves to prevent cross flow of water
- Lever handles w/ color coded indexes
- 1/2" NPT female eccentric inlets with Ø 2" flanges
- Adjustable centers from 7 3/4" to 8 1/4"
- Wall hook w/ mounting screws
- Material: Polished chrome plated brass body, riser, overhead swivel arm & spray valve body, stainless steel hose and chrome plated metal handles

**Product Compliance:**

- ASME A112.18.1 / CSA B125.1
- NSF 61 - Section 9
- NSF 372 (Low Lead Content)
- 2019 DOE PRSV Non-Compliant
- ASSE 1001 (VB)



**Warranty:** One Year (Limited)

- Cerama Cartridges: Lifetime (Limited)

**Performance Data:**



- Pressure: 20 - 125 psi [1.38 - 8.62 bar]
- Temperature: 40 °F - 140 °F [4.44 °C - 60 °C]
- Flow Rate:
  - Spray Valve: 3.16 GPM [12.0 L/min] @ 60 psi [4.14 bar]
  - Add-On Faucet: 5.35 GPM [20.3 L/min] @ 60 psi [4.14 bar]

**Optional Handles**

- 4" Wrist Action
- Lever (Standard)
- 4-Arm

**Optional Cartridges With Checks**

- Quarter-Turn Cerama w/ Check Valve (Standard)
- Quarter-Turn Eterna w/ Spring Check

