



**T&S BRASS AND BRONZE WORKS, INC.**  
 2 Saddleback Cove / P.O. Box 1088  
 Travelers Rest, SC 29690

Model No.  
**EX-1DP12-H**

Item No.

Travelers Rest, SC: 800-476-4103 • Simi Valley, CA: 800-423-0150 • Fax: 864-834-3518 • www.tsbrass.com

This Space for Architect/Engineer Approval

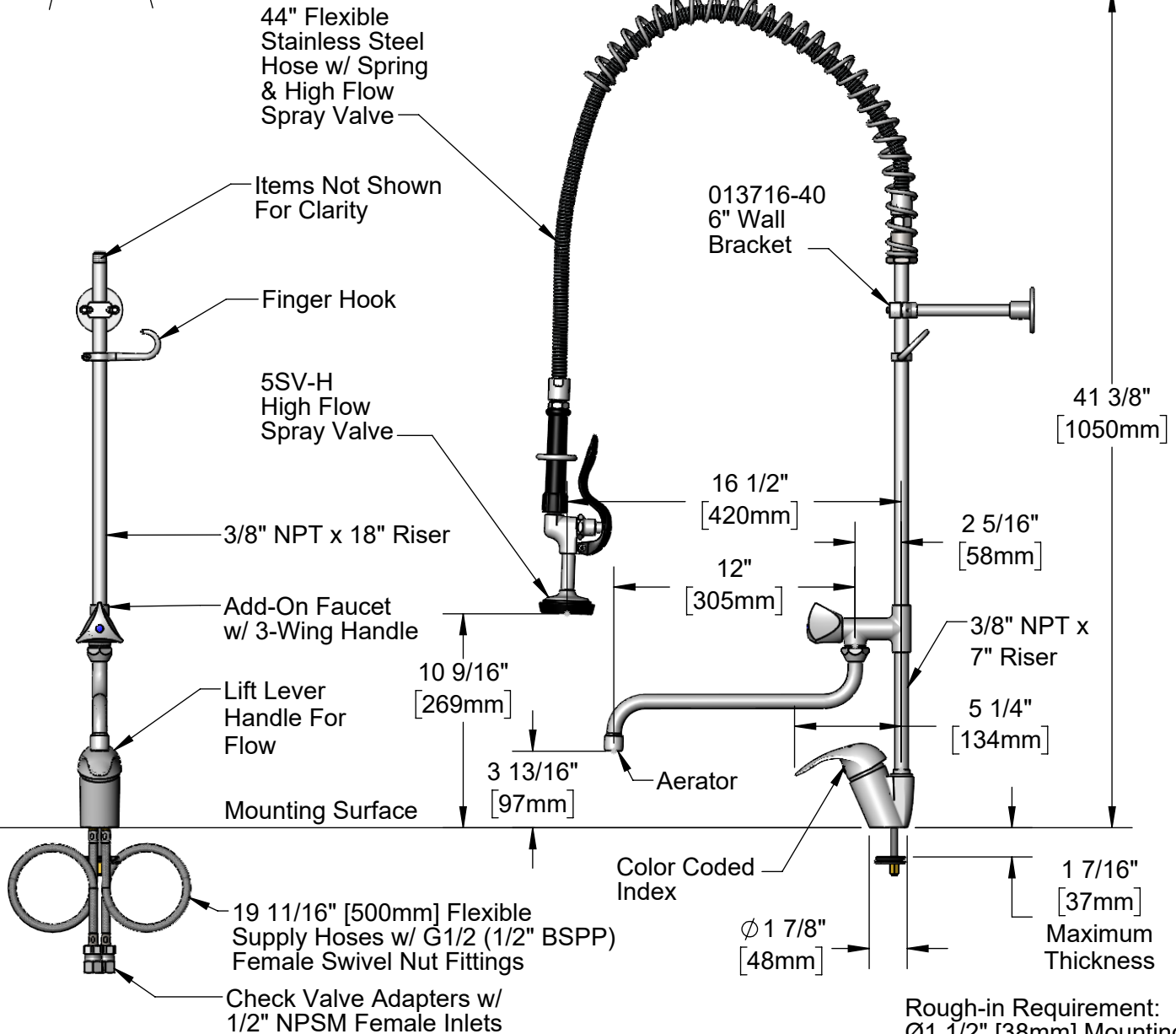
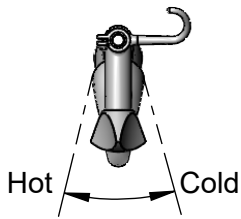
Job Name \_\_\_\_\_ Date \_\_\_\_\_

Model Specified \_\_\_\_\_ Quantity \_\_\_\_\_

Customer/Wholesaler \_\_\_\_\_

Contractor \_\_\_\_\_

Architect/Engineer \_\_\_\_\_



**Rough-in Requirement:**  
 Ø1 1/2" [38mm] Mounting Hole

**Product Specifications:**  
 Pre-Rinse Unit: Single Lever Deck Mount Faucet, Add-On Faucet, 12" Swing Nozzle w/ Full Flow Aerator, 18" Riser, 44" Flexible Stainless Steel Hose, High Flow Spray Valve, 6" Wall Bracket, 19 11/16" [500mm] Flexible Supply Hoses w/ G1/2 (1/2" BSPP) Female Nut Fittings & Check Valve Adapters w/ 1/2" NPSM Female Inlets

**Product Compliance:**



# T&S BRASS AND BRONZE WORKS, INC.

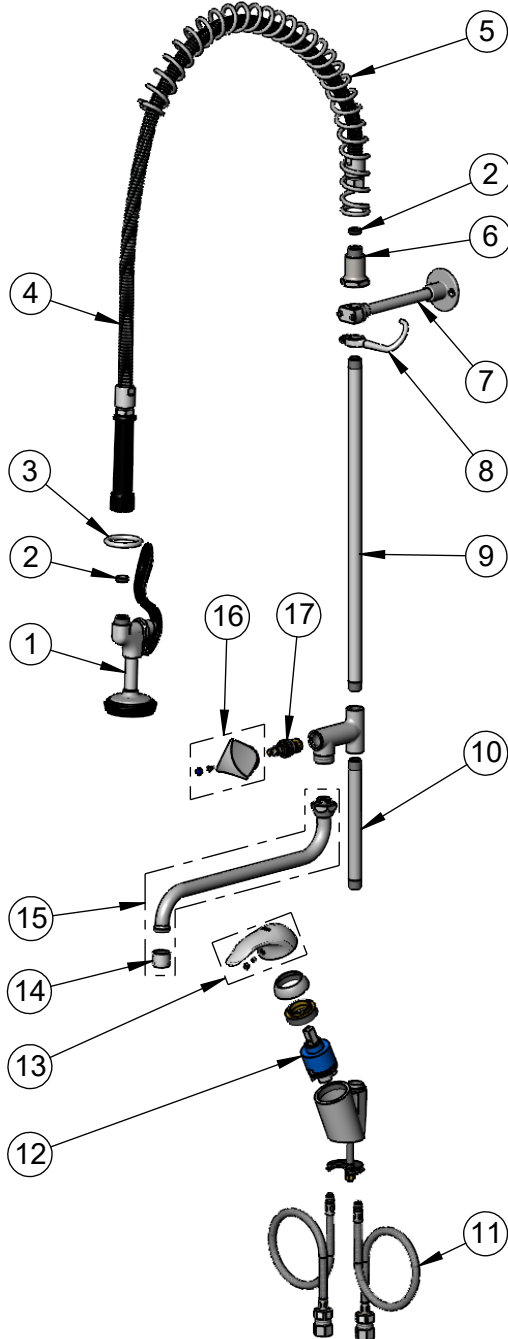
2 Saddleback Cove / P.O. Box 1088  
Travelers Rest, SC 29690

Model No.

**EX-1DP12-H**

Item No.

Travelers Rest, SC: 800-476-4103 • Simi Valley, CA: 800-423-0150 • Fax: 864-834-3518 • www.tsbrass.com



ITEM NO.	SALES NO.	DESCRIPTION
1	5SV-H	equip High Flow Spray Valve
2	010476-45	#27 Washer
3	000907-45	Spray Valve Hold Down Ring
4	5HSE44	equip 44" Flexible Stainless Steel Hose
5	014068-45	Overhead Spring
6	000821-40	Spring Body
7	013716-40	6" Wall Bracket
8	004R	Finger Hook
9	000369-40	3/8" NPT x 18" Riser
10	000363-40	Nipple, 3/8" NPT x 7"
11	016068-25DR	Flexible Connector Hose w/ Check Valve Adapter
12	019215-45	40mm S/L Ceramic Cartridge (Tall)
13	019313-45	Single Lever Handle, EX-1DP00-H
14	EU-0199-M22-FFA	Full Flow Aerator, M22 x 1 Female
15	017825-45	12" Swing Nozzle
16	019251-45	3-Wing Handle w/ Color Coded Indexes and Screw
17	021167-45	Cold RTC Ceramic Cartridge

**Product Specifications:**

Pre-Rinse Unit: Single Lever Deck Mount Faucet, Add-On Faucet, 12" Swing Nozzle w/ Full Flow Aerator, 18" Riser, 44" Flexible Stainless Steel Hose, High Flow Spray Valve, 6" Wall Bracket, 19 11/16" [500mm] Flexible Supply Hoses w/ G1/2 (1/2" BSPP) Female Nut Fittings & Check Valve Adapters w/ 1/2" NPSM Female Inlets

**Product Compliance:**