



T&S BRASS AND BRONZE WORKS, INC.

2 Saddleback Cove / P.O. Box 1088
Travelers Rest, SC 29690

Model No.

EX-RINSER-2

Item No.

Travelers Rest, SC: 800-476-4103 • Simi Valley, CA: 800-423-0150 • Fax: 864-834-3518 • www.tsbrass.com

This Space for Architect/Engineer Approval

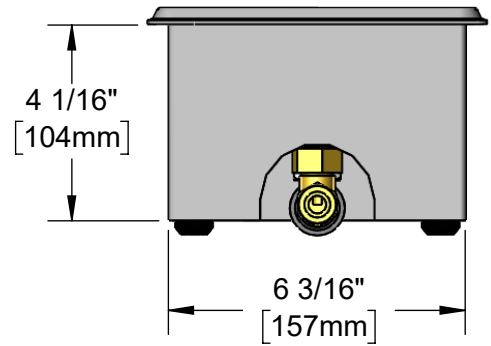
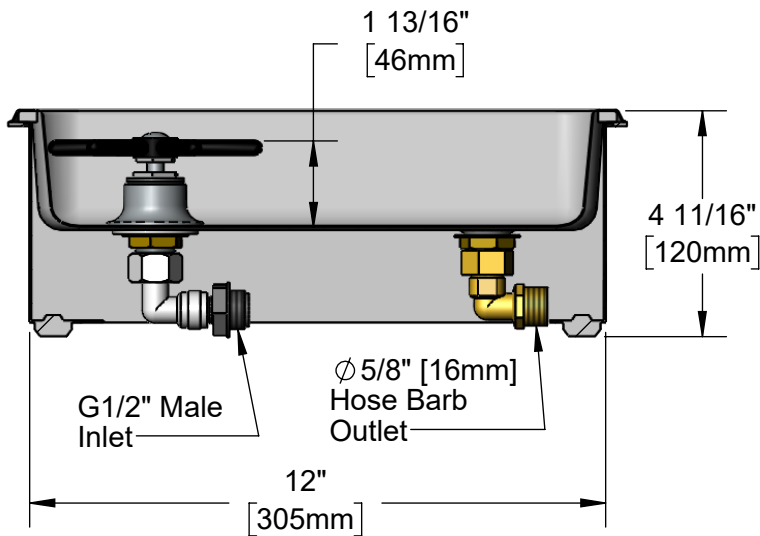
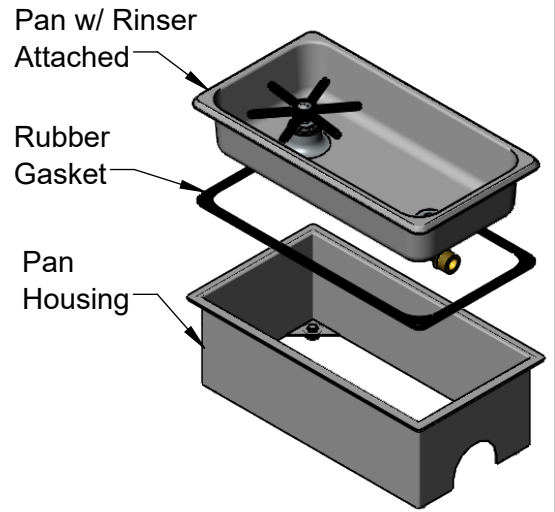
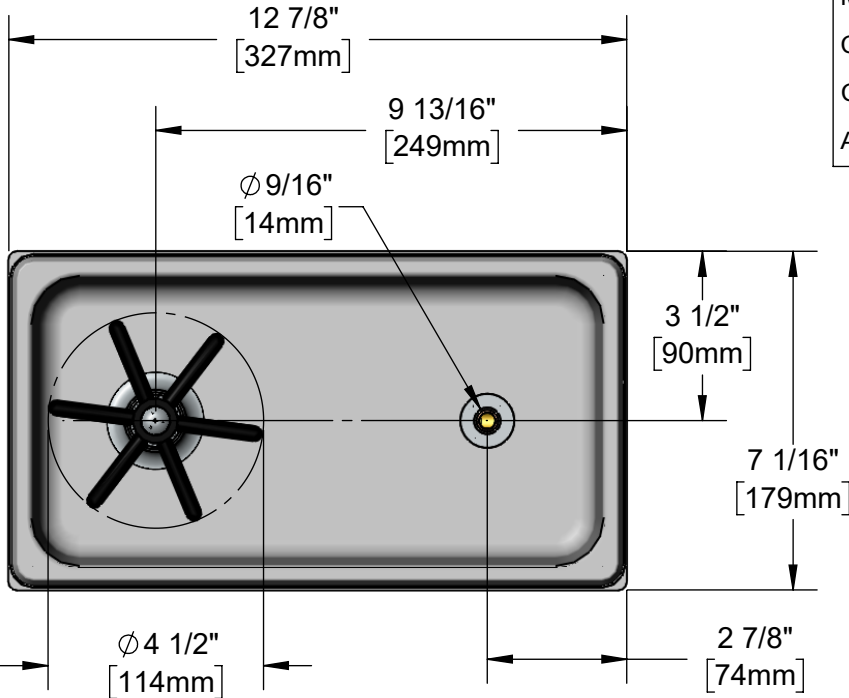
Job Name _____ Date _____

Model Specified _____ Quantity _____

Customer/Wholesaler _____

Contractor _____

Architect/Engineer _____



Note:

- Inlet and Outlet Fittings (Included)

Product Specifications:
Can/Jar Rinser Unit w/ G1/2" Male Inlet & Hose Barb Outlet
(Medium Version)

Product Compliance: