



# T&S BRASS AND BRONZE WORKS, INC.

2 Saddleback Cove / P.O. Box 1088  
Travelers Rest, SC 29690

Model No.

**UMPM-2DLN-08**

Item No.

Travelers Rest, SC: 800-476-4103 • Simi Valley, CA: 800-423-0150 • Fax: 864-834-3518 • www.tsbrass.com

This Space for Architect/Engineer Approval

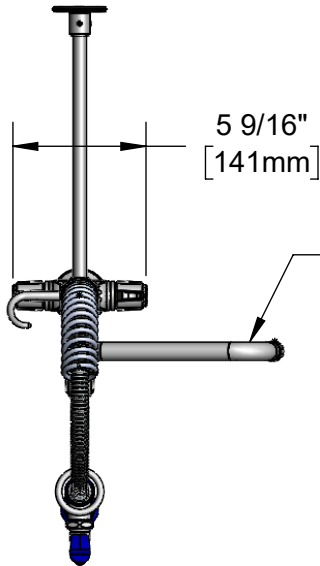
Job Name \_\_\_\_\_ Date \_\_\_\_\_

Model Specified \_\_\_\_\_ Quantity \_\_\_\_\_

Customer/Wholesaler \_\_\_\_\_

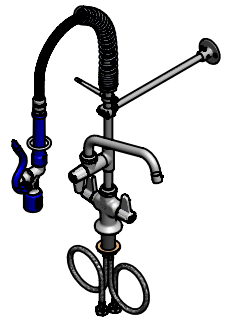
Contractor \_\_\_\_\_

Architect/Engineer \_\_\_\_\_



5 9/16"  
[141mm]

ES-08  
8" Swing Nozzle



24" Flexible Stainless Steel Hose w/ Spring & Spray Valve

Items Not Shown For Clarity

Finger Hook

EasyInstall Lock Nut & Bushing

EB-0107-J  
1.07 GPM  
Spray Valve  
(Blue)

B-0109-03  
12" Wall  
Bracket

23 7/8"  
[607mm]

8 1/8"  
[206mm]

12 3/8"  
[314mm]

9 15/16"  
[252mm]

4 1/4"  
[107mm]

6 1/2"  
[165mm]

Mounting Surface

3/8" NPT x 7" Riser

EasyInstall Add-On Faucet w/ Quarter-Turn Ceramic Cartridge & Euro Lever Handle

8 7/8"  
[226mm]

1 15/16"  
[49mm]  
Maximum Thickness

Quarter-Turn Ceramic Cartridges w/ Euro Lever Handles & Color Coded Screws

19 11/16" [500mm]  
Flexible Supply Hoses w/  
G1/2 (1/2" BSPP) Female  
Swivel Nut Fittings

Rough-In Requirement:  
Ø 1 1/2" [38mm] Mounting Hole



020465-45  
Adapters (Included)

Product Specifications:

Pre-Rinse Unit: EasyInstall Single Hole Deck Mount Mixing Faucet, Quarter-Turn Ceramic Cartridges, Euro Lever Handles, Add-On Faucet, 8" Swing Nozzle, 24" Flexible Stainless Steel Hose, 1.07 GPM Spray Valve, 12" Wall Bracket & 19 11/16" Supply Hoses w/ G1/2 (1/2" BSPP) Female Swivel Nut Fittings

Product Compliance:

WRAS Approved Product (UK)



# T&S BRASS AND BRONZE WORKS, INC.

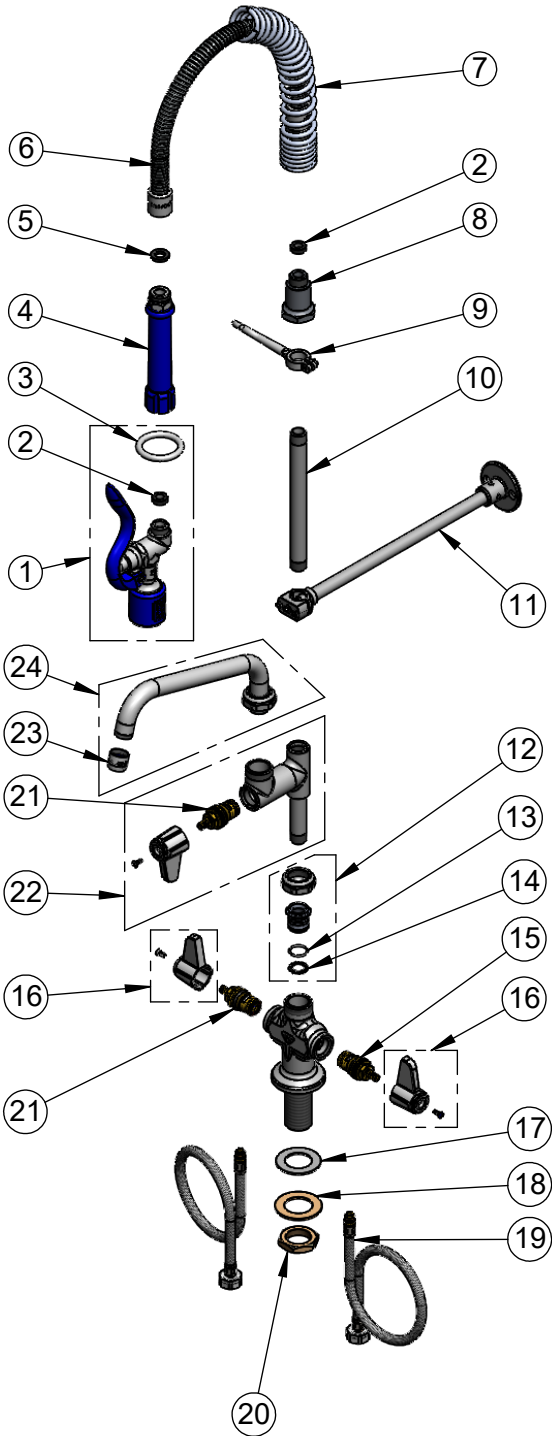
2 Saddleback Cove / P.O. Box 1088  
Travelers Rest, SC 29690

Model No.

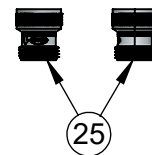
**UMPM-2DLN-08**

Item No.

Travelers Rest, SC: 800-476-4103 • Simi Valley, CA: 800-423-0150 • Fax: 864-834-3518 • www.tsbrass.com



ITEM NO.	SALES NO.	DESCRIPTION
1	EB-0107-J	1.07 GPM Blue Spray Valve
2	010476-45	#27 Washer
3	000907-45	Spray Valve Hold Down Ring
4	011482-40	Blue Grip Handle
5	001014-45	Washer, Hose Barrel
6	B-0024-H2A	24" Flex Hose Less Handle
7	016795-45	Compact Spring
8	000821-40	Spring Body
9	004R	Finger Hook
10	000363-40	Nipple, 3/8" NPT x 7"
11	B-0109-03	12" Wall Bracket
12	EU-EZ-K	Euro EasyInstall Retro-Fit Kit
13	001062-45	O-Ring
14	014200-45	Star Washer, Anti-Rotation
15	013788-45	equip, Quarter-Turn Ceramic Cartridge, LTC
16	E-HDL-L	EU Lever Handle & Blue/Red Screws
17	014612-45	Deck Seal
18	002290-45	Lock Washer
19	012436-45DR	Flexible Connector Hose
20	000965-45	Lock Nut
21	013787-45	equip, Quarter-Turn Ceramic Cartridge, RTC
22	EU-AF00	Add-On Faucet
23	014250-45	Laminar Full Flow Outlet Device
24	ES-08	8" Swing Nozzle, Euro
25	020465-45	Check Valve Adapters



**Product Specifications:**

Pre-Rinse Unit: EasyInstall Single Hole Deck Mount Mixing Faucet, Quarter-Turn Ceramic Cartridges, Euro Lever Handles, Add-On Faucet, 8" Swing Nozzle, 24" Flexible Stainless Steel Hose, 1.07 GPM Spray Valve, 12" Wall Bracket & 19 11/16" Supply Hoses w/ G1/2 (1/2" BSPP) Female Swivel Nut Fittings

**Product Compliance:**

WRAS Approved Product (UK)