



# T&S BRASS AND BRONZE WORKS, INC.

2 Saddleback Cove / P.O. Box 1088  
Travelers Rest, SC 29690

Model No.

**UMPU-6DLN-06**

Item No.

Travelers Rest, SC: 800-476-4103 • Simi Valley, CA: 800-423-0150 • Fax: 864-834-3518 • www.tsbrass.com

This Space for Architect/Engineer Approval

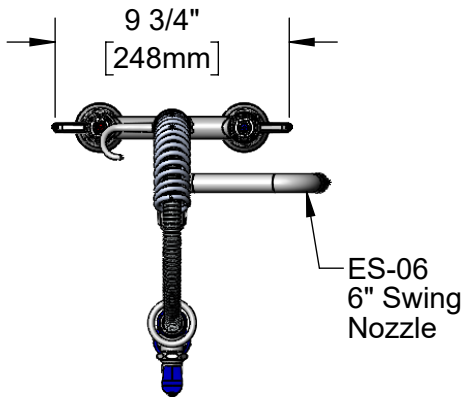
Job Name \_\_\_\_\_ Date \_\_\_\_\_

Model Specified \_\_\_\_\_ Quantity \_\_\_\_\_

Customer/Wholesaler \_\_\_\_\_

Contractor \_\_\_\_\_

Architect/Engineer \_\_\_\_\_



Items Not Shown  
For Clarity

Finger  
Hook

3/8" NPT x  
7" Riser

EasyInstall  
Lock Nut &  
Bushing

6" [152mm]

Quarter-Turn  
Ceramic Cartridges w/  
Euro Lever Handles &  
Color Coded Screws

6 1/8" [156mm]

11 1/2" [292mm]

9 1/16" [230mm]

Mounting  
Surface

24" Flexible Stainless  
Steel Hose w/ Spring  
& Spray Valve

EB-0107-C  
0.65 GPM  
Low Flow Spray  
Valve (Blue)

\* 6 1/8" [156mm]

1/2" BSPT  
Male Inlets

\* 8 7/8" [226mm]

B-0109-03  
12" Adjustable  
Wall Bracket

EasyInstall Add-On  
Faucet w/ Quarter-  
Turn Ceramic  
Cartridge & Euro  
Handle

\* 23 9/16" [599mm]

1 9/16" [39mm]  
Maximum  
Thickness

Rough-In Requirement:  
(2)  $\varnothing$  1" [25mm] Holes

\* Dimensions Will Vary  $\pm$  1" Each Installation

Product Specifications:

EasyInstall Pre-Rinse Unit: 6" Deck Mount Mixing Faucet, Quarter-Turn Ceramic Cartridge, Euro Lever Handles, Add-On-Faucet, 6" Swing Nozzle, Compact Spring & 24" Flexible Stainless Steel Hose, 0.65 GPM Low Flow Spray Valve, 12" Wall Bracket, Lever Handles and 1/2" BSPT Male Inlets

Product Compliance:

WRAS Approved Product (UK)



# T&S BRASS AND BRONZE WORKS, INC.

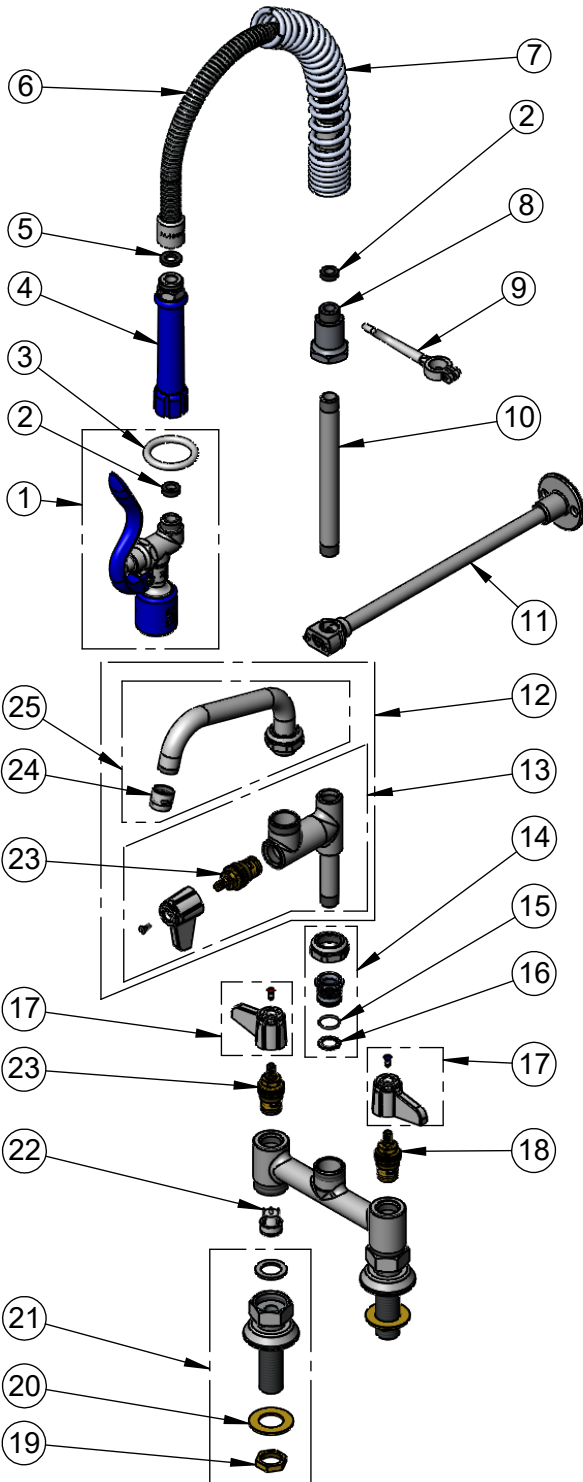
2 Saddleback Cove / P.O. Box 1088  
Travelers Rest, SC 29690

Model No.

**UMPU-6DLN-06**

Item No.

Travelers Rest, SC: 800-476-4103 • Simi Valley, CA: 800-423-0150 • Fax: 864-834-3518 • www.tsbrass.com



ITEM NO.	SALES NO.	DESCRIPTION
1	EB-0107-C	0.65 GPM Blue Low Flow Spray Valve
2	010476-45	#27 Washer
3	000907-45	Spray Valve Hold Down Ring
4	011482-40	Blue Grip Handle
5	001014-45	Washer, Hose Barrel
6	B-0024-H2A	24" Flexible Stainless Steel Hose Less Handle
7	016795-45	Compact Spring
8	000821-40	Spring Body
9	004R	Finger Hook
10	000363-40	Nipple, 3/8" NPT x 7"
11	B-0109-03	12" Wall Bracket
12	EU-AF06	Add-On Faucet w/ 6" Swing Nozzle
13	EU-AF00	Add-On Faucet
14	EU-EZ-K	Euro EasyInstall Retro-Fit Kit
15	001062-45	O-Ring
16	014200-45	Star Washer, Anti-Rotation
17	E-HDL-L	Euro Lever Hand w/ Color Coded Screws
18	013788-45	equip, Quarter-Turn Ceramic Cartridge, LTC
19	002954-45	Shank Lock Nut
20	000999-45	Brass Lock Washer
21	011473-40	UK Inlet Flange
22	013840-45	20mm Check Valve
23	013787-45	equip, Quarter-Turn Ceramic Cartridge, RTC
24	014250-45	Laminar Full Flow Outlet Device
25	ES-06	6" Swing Nozzle, Euro

**Product Specifications:**

EasyInstall Pre-Rinse Unit: 6" Deck Mount Mixing Faucet, Quarter-Turn Ceramic Cartridge, Euro Lever Handles, Add-On-Faucet, 6" Swing Nozzle, Compact Spring & 24" Flexible Stainless Steel Hose, 0.65 GPM Low Flow Spray Valve, 12" Wall Bracket, Lever Handles and 1/2" BSPT Male Inlets

**Product Compliance:**

WRAS Approved Product (UK)