



T&S BRASS AND BRONZE WORKS, INC.
 2 Saddleback Cove / P.O. Box 1088
 Travelers Rest, SC 29690

Model No.
UMPK-2DLN-00

Item No.

Travelers Rest, SC: 800-476-4103 • Simi Valley, CA: 800-423-0150 • Fax: 864-834-3518 • www.tsbrass.com

This Space for Architect/Engineer Approval

Job Name _____ Date _____

Model Specified _____ Quantity _____

Customer/Wholesaler _____

Contractor _____

Architect/Engineer _____



EB-0024-H
 24" Stainless Steel
 Hose w/ Polyurethane
 Inner Hose & Handle

* 8 7/8"
 [226mm]

UK-0107
 1.15 GPM
 Blue Spray
 Valve



Items Not Shown
 For Clarity

Finger
 Hook

EasyInstall Lock Nut
 & Bushing

Quarter-Turn
 Ceramic Cartridges
 w/ Lever Handles
 & Color Coded
 Screws

* 24 11/16"
 [627mm]

B-0109-03
 12" Adjustable
 Wall Bracket

145X
 3/8" NPT
 x 12" Riser

* 7 5/16"
 [186mm]

Mounting
 Surface

9 11/16" [500mm]
 Flexible Supply Hoses w/
 G1/2 (1/2" BSPP) Female
 Swivel Nut

1 7/8"
 [48mm]
 Maximum
 Thickness



020465-45
 Check Valve
 Adapters (Included)

Rough-In Requirement:

Ø 1 1/2" [38mm] Mounting Hole

* Dimensions Will Vary ±1" Each Installation

Product Specifications:

EasyInstall Pre-Rinse Unit:

Single Deck Mount Mixing Faucet, Quarter-Turn Ceramic Cartridges, Euro
 Lever Handles, Compact Spring & Flexible Stainless Steel Hose, 1.15 GPM
 Spray Valve (Blue), 12" Wall Bracket & 19 11/16" Flexible Hoses w/ G1/2
 (1/2"BSPP) Female Swivel Fittings

Product Compliance:

WRAS Approved Product (UK)



T&S BRASS AND BRONZE WORKS, INC.

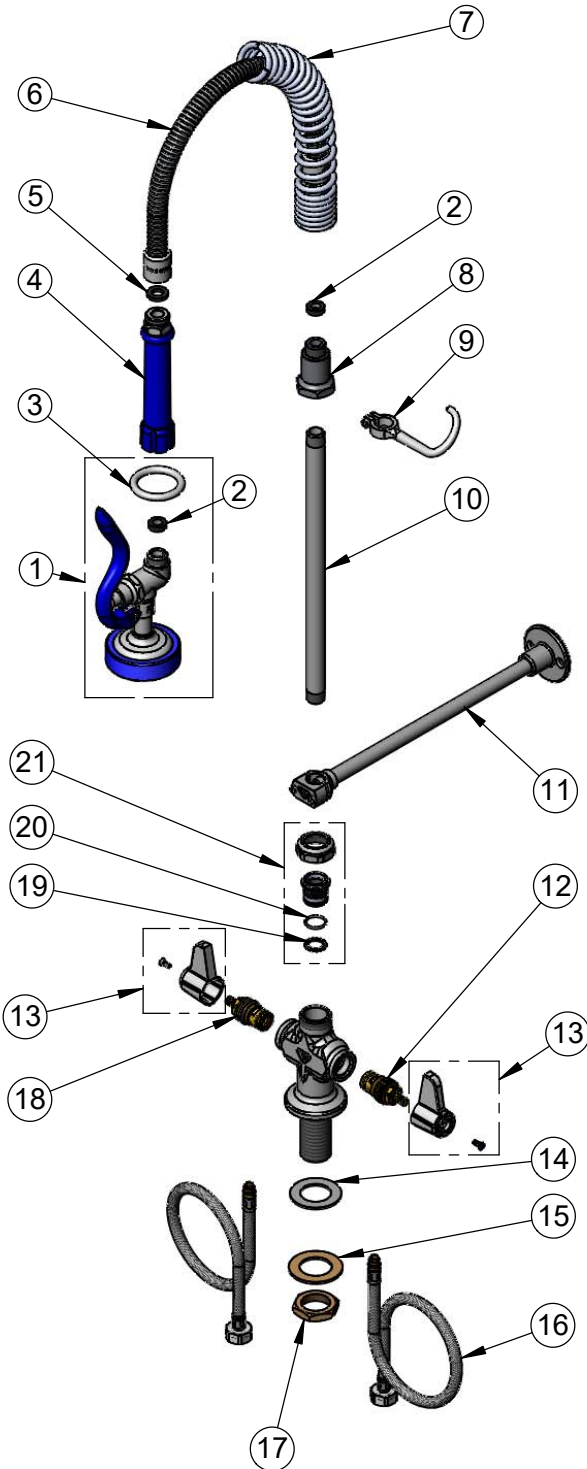
2 Saddleback Cove / P.O. Box 1088
Travelers Rest, SC 29690

Model No.

UMPK-2DLN-00

Item No.

Travelers Rest, SC: 800-476-4103 • Simi Valley, CA: 800-423-0150 • Fax: 864-834-3518 • www.tsbrass.com



ITEM NO.	SALES NO.	DESCRIPTION
1	UK-0107	1.15 GPM Blue Spray Valve
2	010476-45	#27 Washer
3	000907-45	Hold Down Ring
4	011482-40	Blue Grip Handle
5	010475-45	Washer, B-0100 Hose Barrel
6	B-0024-H2A	24" Flex Hose Less handle
7	016795-45	Compact Pre-Rinse Spring
8	000821-40	Spring Body
9	004R	Finger Hook
10	145X	3/8" x 12" Riser
11	B-0109-03	12" Wall Bracket
12	013788-45	equip, Quarter-turn Ceramic Cartridge, LTC
13	E-HDL-L	EU Lever Handle & Blue/Red Screws
14	014612-45	Deck Seal
15	002290-45	Shank Washer
16	012436-45DR	Euro 15mm Flexible Hose w/ Check Valve
17	000965-45	Shank Lock Nut
18	013787-45	equip, Quarter-Turn Ceramic Cartridge, RTC
19	014200-45	Star Washer, Anti-Rotation
20	001062-45	O-Ring
21	EU-EZ-K	Euro EasyInstall Retro-Fit Kit
22	020465-45	Check Valve Adapter

Product Specifications:
 EasyInstall Pre-Rinse Unit:
 Single Deck Mount Mixing Faucet, Quarter-Turn Ceramic Cartridges, Euro Lever Handles, Compact Spring & Flexible Stainless Steel Hose, 1.15 GPM Spray Valve (Blue), 12" Wall Bracket & 19 11/16" Flexible Hoses w/ G1/2 (1/2"BSPP) Female Swivel Fittings

Product Compliance:
 WRAS Approved Product (UK)