



T&S BRASS AND BRONZE WORKS, INC.

2 Saddleback Cove / P.O. Box 1088
Travelers Rest, SC 29690

Model No.

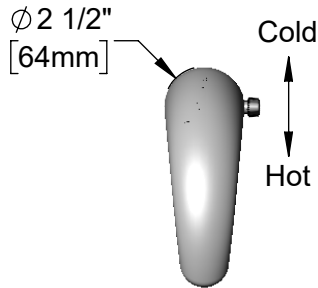
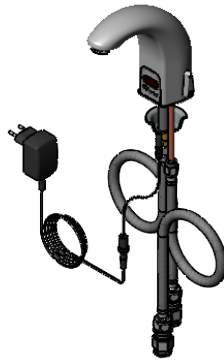
EU-3142-VF05

Item No.

Travelers Rest, SC: 800-476-4103 • Simi Valley, CA: 800-423-0150 • Fax: 864-834-3518 • www.tsbrass.com



ADA Compliant



This Space for Architect/Engineer Approval

Job Name _____ Date _____

Model Specified _____ Quantity _____

Customer/Wholesaler _____

Contractor _____

Architect/Engineer _____

Internal Above Deck
Electronics w/ Flow
Control Setting Switches.
Powered w/ 6 VDC
Lithium Battery.

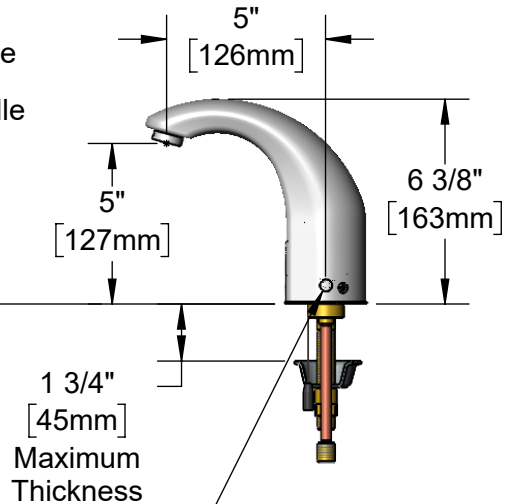
Removable
Anti-Rotation Pin

13/16"
[21mm]

Cast Spout w/
B-0199-08-N05
0.5 GPM [1.9 L/min]
Vandal Resistant
Non-Aerated Spray Device

Temperature Mixing Handle
w/ Color Coded Index
(Optional Plug Included to
Replace Handle When
Temperature is Preset)

Mounting
Surface



Shown w/ Optional
Plug Installed When
Water Temperature
is Preset (Included)

18" [457mm] Flexible
Stainless Steel Supply
Hoses

Check Valve Adapters
w/ 1/2" NPSM Inlets
(Compatible w/ G1/2 Threads)
& Filter Washers

1/2" NPSM Male x
G3/8 Female Adapters
w/ Sealing Washers

5EF-0011C
EU Transformer
100-240 VAC Adapter w/
72" [1830mm] Power Cord

Rough-In Requirement:
Ø 1 1/4" [32mm] Mounting Hole
Ø 3/16" [5mm] Anti-Rotation Pin Hole (Optional)

Product Specifications:

Chrome Plated Brass Above Deck Electronics Faucet, Single Hole Deck Mount, Cast Spout w/ 0.5 GPM VR Non-Aerated Spray Device, Point-of-Use Temperature Control, Battery or AC Adapter Powered, EU Transformer, Stainless Steel Flexible Supply Lines & G3/8 Female Inlet Adapters

Product Compliance:

ASME A112.18.1 / CSA B125.1
NSF 61 - Section 9
NSF 372 (Low Lead Content)
ANSI A117.1 (ADA)
UL 1951



T&S BRASS AND BRONZE WORKS, INC.

2 Saddleback Cove / P.O. Box 1088
Travelers Rest, SC 29690

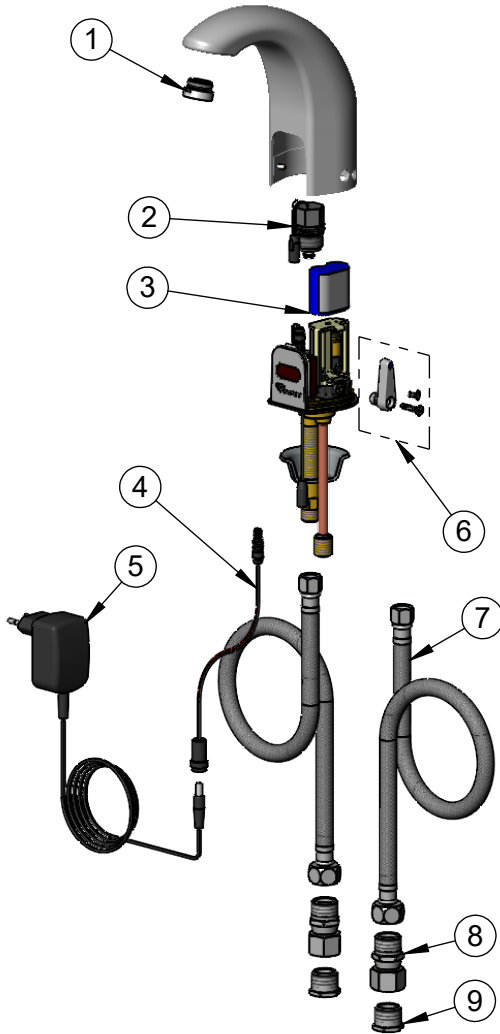
Model No.

EU-3142-VF05

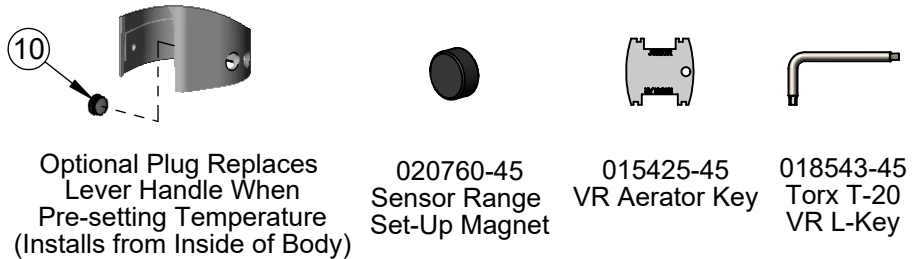
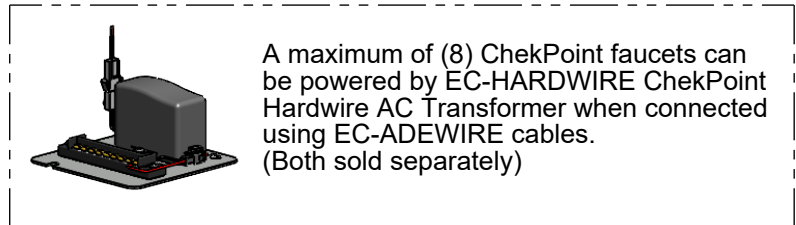
Item No.

Travelers Rest, SC: 800-476-4103 • Simi Valley, CA: 800-423-0150 • Fax: 864-834-3518 • www.tsbrass.com

ITEM NO.	SALES NO.	DESCRIPTION
1	B-0199-08-N05	0.5 GPM VR Spray Device, 13/16-27 Male with VR Key
2	020330-45	Solenoid Valve, M22 x 2 Male Thd
3	019087-45	6VDC Lithium Battery, CR-P2
* 4	020417-45	Aux. Power Connector Cable
* 5	5EF-0011C	AC Adapter - EU Type Plug
* 6	020270-45	Lever Asm & Body Screw Kit w/ L-Key
7	5EF-0005	Supply Hose, 9/16-24 Female x 1/2" NPSM
8	019562-45	Check Valve Adapter, 1/2" NPSM
9	020498-25	Hex Bushing, G3/8 Female x 1/2" NPSM Male w/ Sealing Washer
* 10	020426-40	Body Plug, Pre-Set Temperature



* For Versions Prior to 2024, Consult with T&S Customer Service



Flow Control Switches are Located Behind the Sensor.
Remove Battery to Access Switches.

* Switches are set to DEFAULT position:

- Auto Time Out = 15 seconds
- Shut Off Delay = 1 second
- Auto Flush = OFF
- Metering Mode = OFF

* Available Water Flow Control Selections:

- Auto Time Out: 15 sec, 30 sec, 45 sec, 60 sec, 3 min, 20 min
- Shut Off Delay: 1 sec, 10 sec, 15 sec, 30 sec
- Auto Flush (30 Seconds After Every 12 Inactive Hours): ON or OFF
- Metering Mode: ON or OFF

Product Specifications:

Chrome Plated Brass Above Deck Electronics Faucet, Single Hole Deck Mount, Cast Spout w/ 0.5 GPM VR Non-Aerated Spray Device, Point-of-Use Temperature Control, Battery or AC Adapter Powered, EU Transformer, Stainless Steel Flexible Supply Lines & G3/8 Female Inlet Adapters

Product Compliance:

ASME A112.18.1 / CSA B125.1
NSF 61 - Section 9
NSF 372 (Low Lead Content)
ANSI A117.1 (ADA)
UL 1951