



T&S BRASS AND BRONZE WORKS, INC.

2 Saddleback Cove / P.O. Box 1088
Travelers Rest, SC 29690

Model No.

UMPK-2DLN-08

Item No.

Travelers Rest, SC: 800-476-4103 • Simi Valley, CA: 800-423-0150 • Fax: 864-834-3518 • www.tsbrass.com

This Space for Architect/Engineer Approval

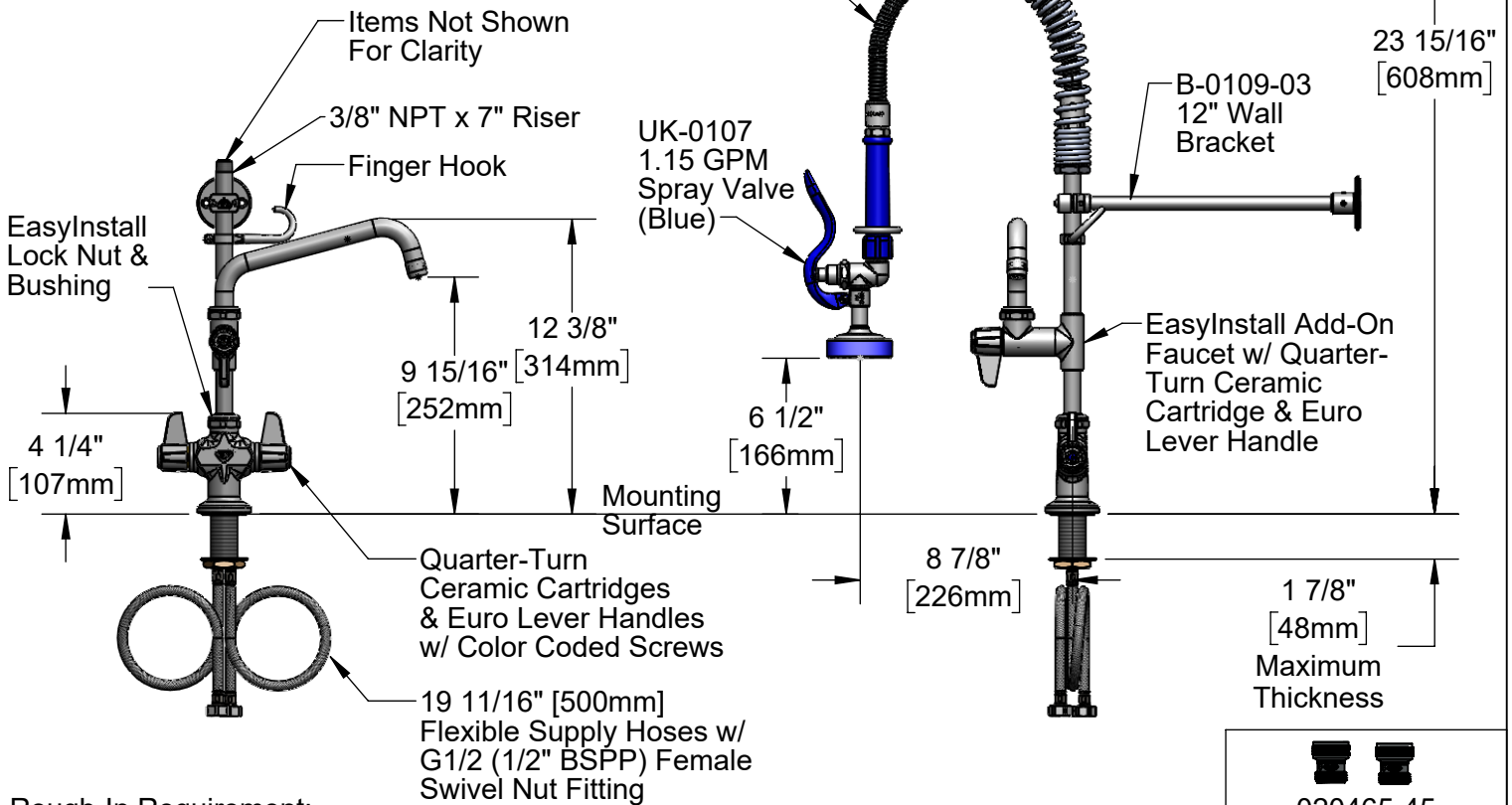
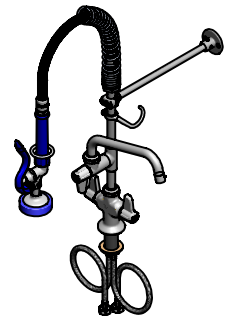
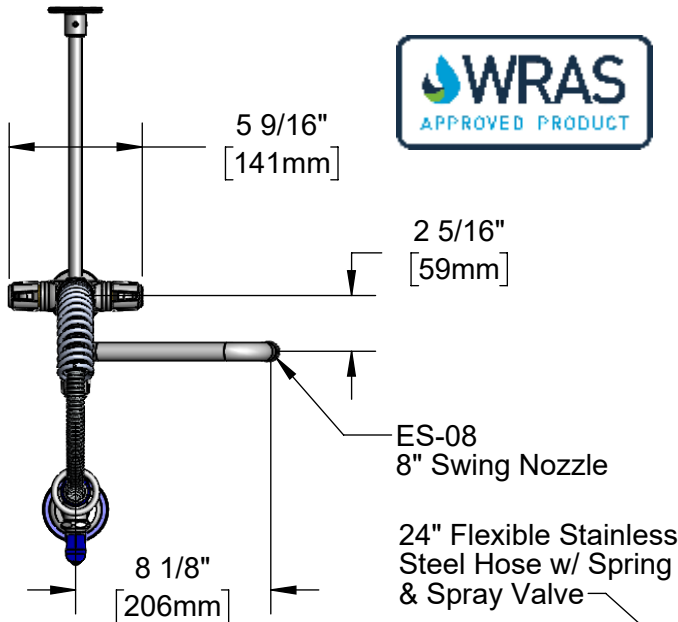
Job Name _____ Date _____

Model Specified _____ Quantity _____

Customer/Wholesaler _____

Contractor _____

Architect/Engineer _____



Rough-In Requirement:
Ø 1 1/2" [38mm] Mounting Hole

020465-45
Adapters (Included)

Product Specifications:

Pre-Rinse Unit: EasyInstall Single Hole Deck Mount Mixing Faucet, Quarter-Turn Ceramic Cartridges, Euro Lever Handles, Add-On Faucet, 8" Swing Nozzle, 24" Flexible Stainless Steel Hose, 1.15 GPM Spray Valve, 12" Wall Bracket & 19 11/16" Supply Hoses w/ G1/2 (1/2" BSPP) Female Swivel Nut Fittings

Product Compliance:

WRAS Approved Product (UK)



T&S BRASS AND BRONZE WORKS, INC.

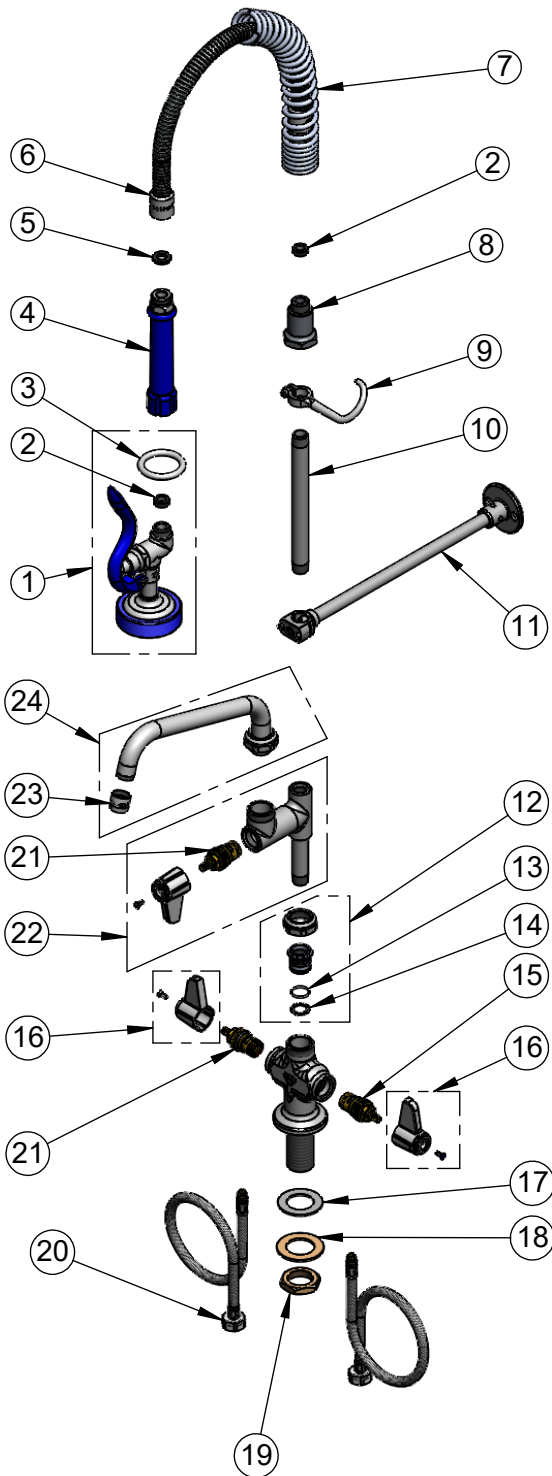
2 Saddleback Cove / P.O. Box 1088
Travelers Rest, SC 29690

Model No.

UMPK-2DLN-08

Item No.

Travelers Rest, SC: 800-476-4103 • Simi Valley, CA: 800-423-0150 • Fax: 864-834-3518 • www.tsbrass.com



| ITEM NO. | SALES NO. | DESCRIPTION |
|----------|-------------|---|
| 1 | UK-0107 | 1.15 GPM Spray Valve (Blue) |
| 2 | 010476-45 | #27 Washer |
| 3 | 000907-45 | Hold Down Ring |
| 4 | 011482-40 | Grip Handle (Blue) |
| 5 | 001014-45 | Washer, Hose Barrel |
| 6 | B-0024-H2A | 24" Flexible Stainless Steel Hose, Less Handle |
| 7 | 016795-45 | Compact Pre-Rinse Spring |
| 8 | 000821-40 | Spring Body |
| 9 | 004R | Finger Hook |
| 10 | 000363-40 | 3/8" x 7" Riser |
| 11 | B-0109-03 | 12" Wall Bracket |
| 12 | EU-EZ-K | Euro EasyInstall Retro-Fit Kit |
| 13 | 001062-45 | O-Ring |
| 14 | 014200-45 | Star Washer, Anti-Rotation equip, Quarter-Turn Ceramic Cartridge, LTC |
| 15 | 013788-45 | Star Washer, Anti-Rotation equip, Quarter-Turn Ceramic Cartridge, LTC |
| 16 | E-HDL-L | Euro Lever Handle w/ Color Coded Screws |
| 17 | 014612-45 | Deck Seal |
| 18 | 002290-45 | Shank Washer |
| 19 | 000965-45 | Shank Lock Nut |
| 20 | 012436-45DR | Euro 15mm Flexible Hose w/ Check Valve |
| 21 | 013787-45 | equip, Quarter-Turn Ceramic Cartridge, RTC |
| 22 | EU-AF00 | Add-On Faucet |
| 23 | 014250-45 | 3/4" Full Flow Laminar Outlet |
| 24 | ES-08 | 8" Swing Nozzle, Euro |
| 25 | 020465-45 | Check Valve Adapter |

Product Specifications:

Pre-Rinse Unit: EasyInstall Single Hole Deck Mount Mixing Faucet, Quarter-Turn Ceramic Cartridges, Euro Lever Handles, Add-On Faucet, 8" Swing Nozzle, 24" Flexible Stainless Steel Hose, 1.15 GPM Spray Valve, 12" Wall Bracket & 19 11/16" Supply Hoses w/ G1/2 (1/2" BSPP) Female Swivel Nut Fittings

Product Compliance:

WRAS Approved Product (UK)