



T&S BRASS AND BRONZE WORKS, INC.

2 Saddleback Cove / P.O. Box 1088
Travelers Rest, SC 29690

Model No.

CEF-EU1DS

Item No.

Travelers Rest, SC: 800-476-4103 • Simi Valley, CA: 800-423-0150 • Fax: 864-834-3518 • www.tsbrass.com

This Space for Architect/Engineer Approval

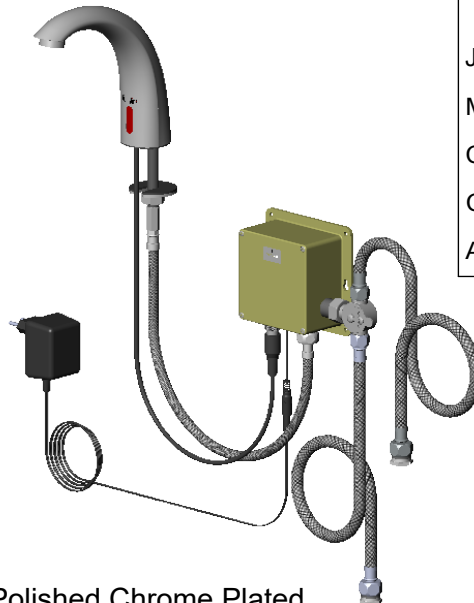
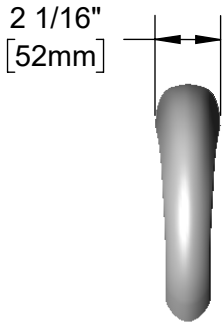
Job Name _____ Date _____

Model Specified _____ Quantity _____

Customer/Wholesaler _____

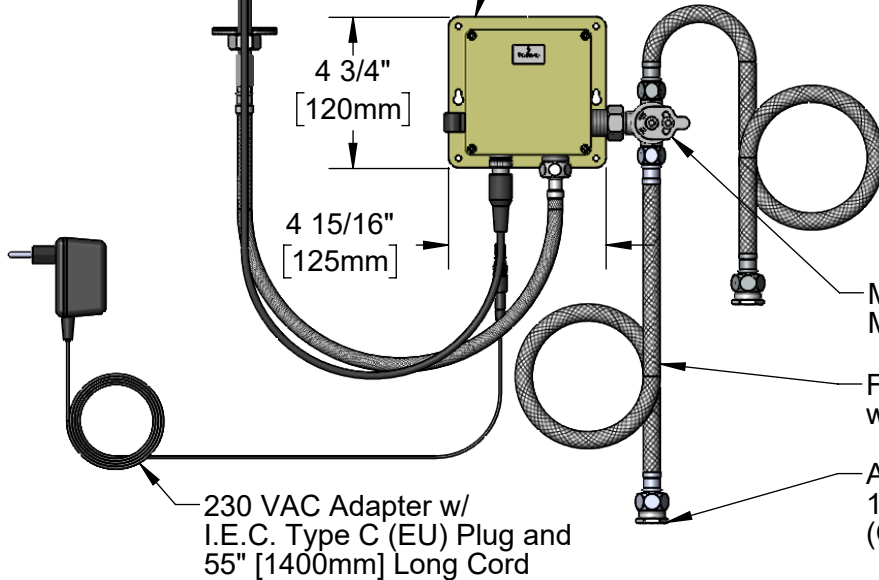
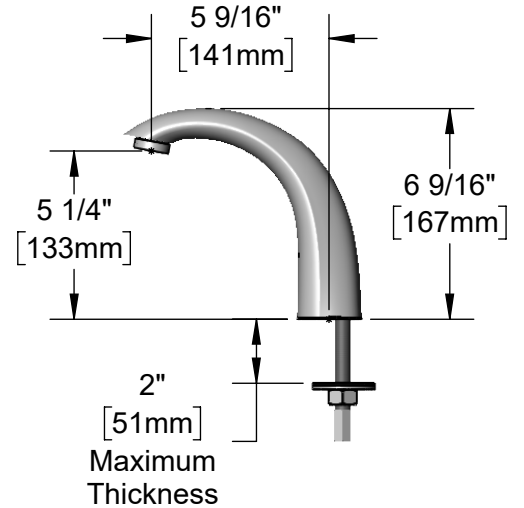
Contractor _____

Architect/Engineer _____



Polished Chrome Plated
Cast Brass Spout w/
Vandal Resistant
1.5 GPM [5.7 L/min] Aerator

Control Module Box w/
Integral Inlet Filter.
AC or DC Powered.
(4) AA Batteries Included.



4 3/4" [120mm]

4 15/16" [125mm]

Mechanical Temperature
Mixing Valve

Flexible Supply Hoses
w/ G 1/2" Female Inlets

Adapters, G 3/8" Female x
1/2" NPSM Male
(Compatible with G 1/2")

230 VAC Adapter w/
I.E.C. Type C (EU) Plug and
55" [1400mm] Long Cord

Rough-In Requirement:
Ø 1 1/4" [32mm] Mounting Hole

Product Specifications:
Single Hole Deck Mount Sensor Faucet w/ Cast Spout, VR 1.5 GPM Aerator,
Control Module, AC Adapter w/ EU Plug, Mechanical Mixing Valve and
Flexible Supply Hoses w/ G 3/8" Female Inlet Adapters

Product Compliance:



T&S BRASS AND BRONZE WORKS, INC.

2 Saddleback Cove / P.O. Box 1088
Travelers Rest, SC 29690

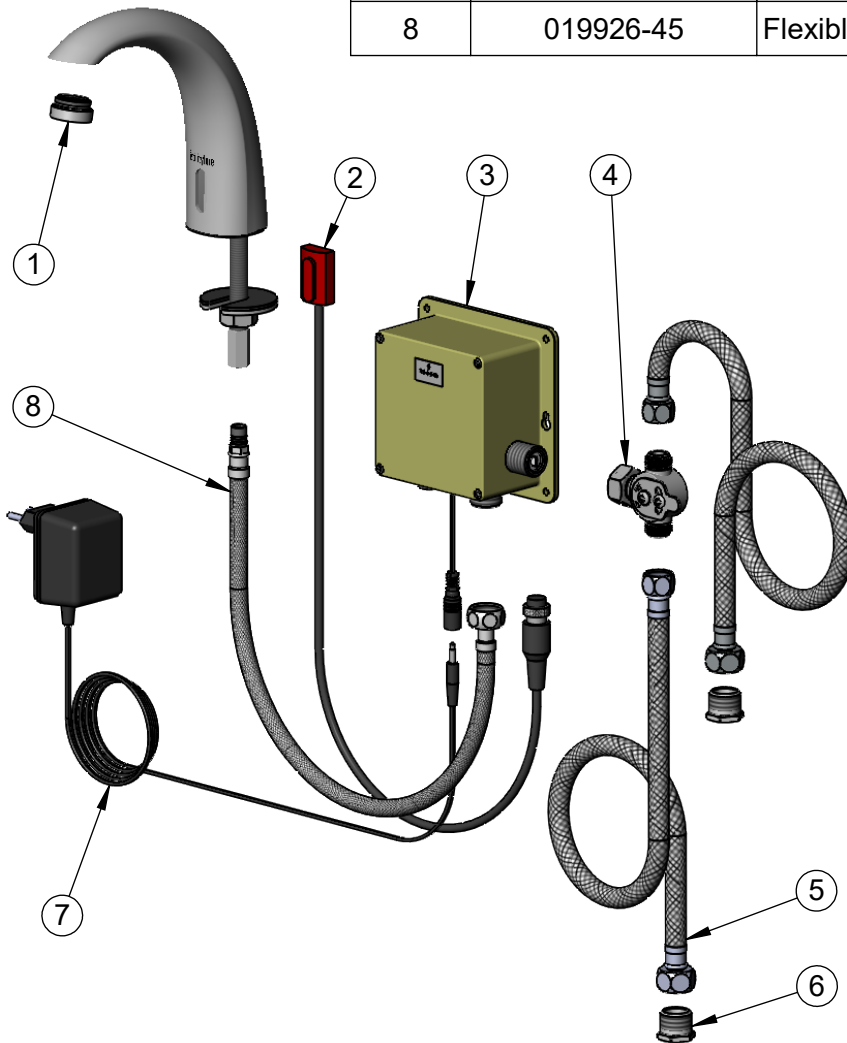
Model No.

CEF-EU1DS

Item No.

Travelers Rest, SC: 800-476-4103 • Simi Valley, CA: 800-423-0150 • Fax: 864-834-3518 • www.tsbrass.com

ITEM NO.	SALES NO.	DESCRIPTION
1	EU-0199-M24-V22	VR 2.2 GPM Aerator, M24x1 Male
2	020377-45	Sensor Cable
3	019920-45	Control Module
4	019921-45	Mechanical Temperature Mixing Valve
5	019922-45	Supply Hose, G 3/8" x G 1/2" Connections
6	020498-25	Hex Bushing, G 3/8" Female x 1/2" NPSM Male w/ Sealing Washer
7	019924-45EU	Plug-in AC Adapter w/ EU Plug
8	019926-45	Flexible Connector Hose



Product Specifications:

Single Hole Deck Mount Sensor Faucet w/ Cast Spout, VR 1.5 GPM Aerator, Control Module, AC Adapter w/ EU Plug, Mechanical Mixing Valve and Flexible Supply Hoses w/ G 3/8" Female Inlet Adapters

Product Compliance: