



T&S BRASS AND BRONZE WORKS, INC.
 2 Saddleback Cove / P.O. Box 1088
 Travelers Rest, SC 29690

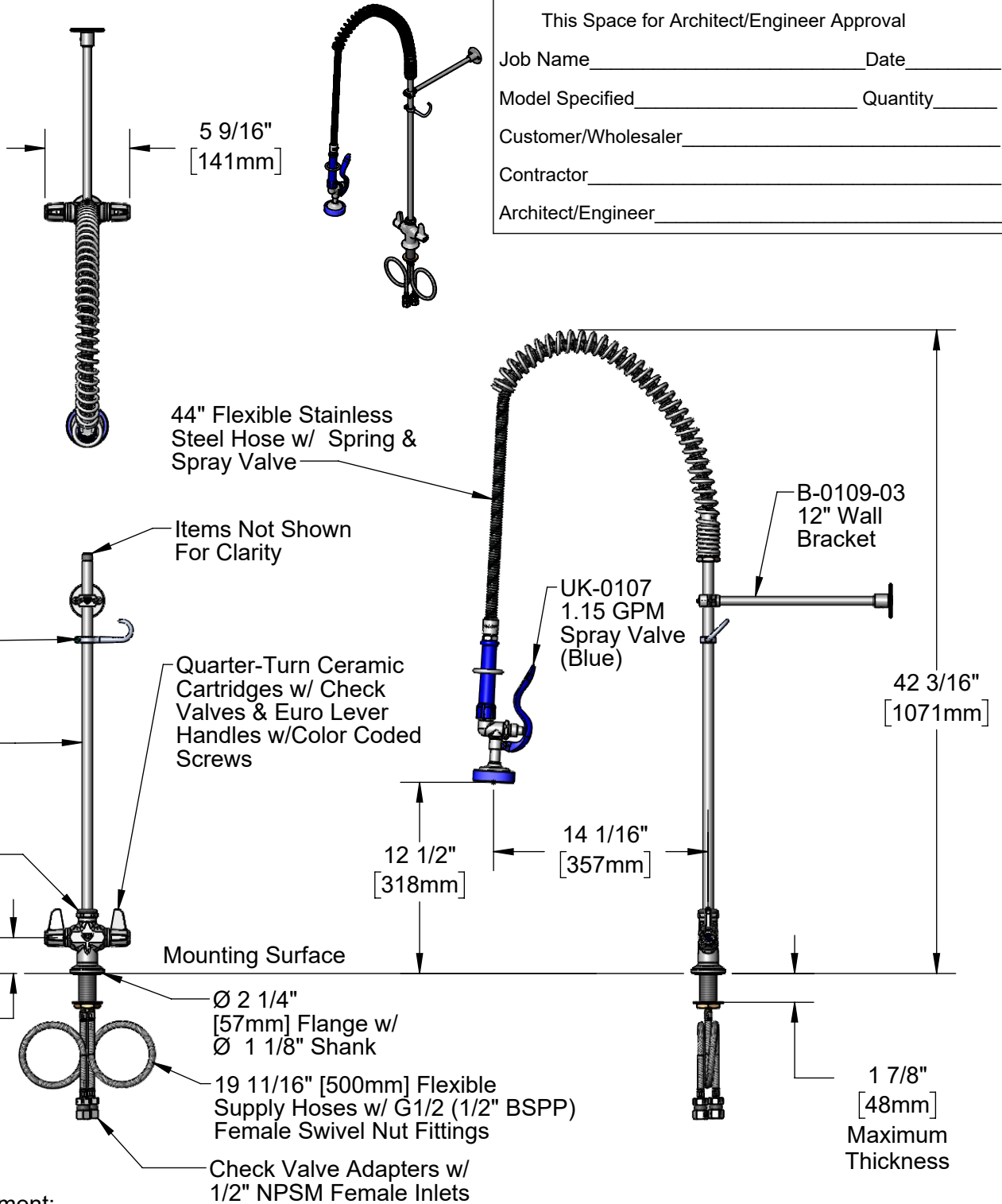
Model No.
EUK-2DP00

Item No.

Travelers Rest, SC: 800-476-4103 • Simi Valley, CA: 800-423-0150 • Fax: 864-834-3518 • www.tsbrass.com

This Space for Architect/Engineer Approval

Job Name _____ Date _____
 Model Specified _____ Quantity _____
 Customer/Wholesaler _____
 Contractor _____
 Architect/Engineer _____



Rough-In Requirement:
 Ø 1 1/2" [38mm] Mounting Hole

Product Specifications:

Pre-Rinse Unit: Single Hole Deck Mount Mixing Faucet, Ceramic Cartridges w/ Check Valves, Euro Lever Handle, 1.15 GPM Spray Valve (Blue), 44" Flexible Stainless Steel Hose, 12" Wall Bracket, 19 11/16" [500mm] Flexible Supply Hoses w/ G1/2 (1/2" BSPP) Female Nut Fittings & Check Valve Adapters w/ 1/2" NPSM Female Inlets

Product Compliance:

ASME A112.18.1 / CSA B125.1
 NSF 61 - Section 9
 NSF 372 (Low Lead Content)
 2019 DOE PRSV - Class II



T&S BRASS AND BRONZE WORKS, INC.

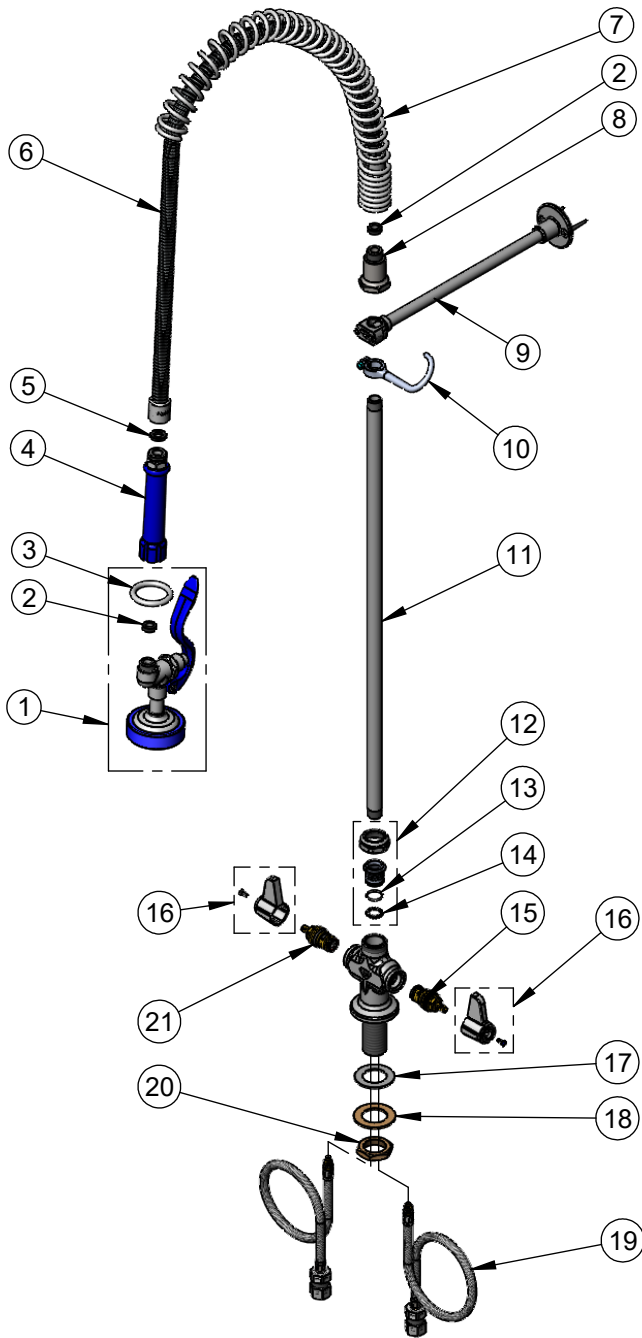
2 Saddleback Cove / P.O. Box 1088
Travelers Rest, SC 29690

Model No.

EUK-2DP00

Item No.

Travelers Rest, SC: 800-476-4103 • Simi Valley, CA: 800-423-0150 • Fax: 864-834-3518 • www.tsbrass.com



ITEM NO.	SALES NO.	DESCRIPTION
1	UK-0107	1.15 GPM Spray Valve (Blue)
2	010476-45	#27 Washer
3	000907-45	Spray Valve Hold Down Ring
4	011482-40	Grip Handle (Blue)
5	001014-45	Washer, Hose Barrel
6	B-0044-H2A	44" Flexible Stainless Steel Hose, Less Handle
7	000888-45	EasyInstall Overhead Spring
8	000821-40	Spring Body
9	B-0109-03	12" Wall Bracket
10	004R	Finger Hook
11	000372-40	3/8" NPT x 24" Riser
12	EU-EZ-K	Euro EasyInstall Kit
13	001062-45	O-Ring
14	014200-45	Star Washer, Anti-Rotation equip Quarter-Turn Ceramic Cartridge, LTC
15	013788-45	Star Washer, Anti-Rotation equip Quarter-Turn Ceramic Cartridge, LTC
16	E-HDL-L	Euro Lever Handle w/ Color Coded Screws
17	014612-45	Deck Seal
18	002290-45	Lock Washer
19	016068-25DR	Flexible Connector Hose w/ Check Valve Adapter
20	000965-45	Lock Nut
21	013787-45	Star Washer, Anti-Rotation equip Quarter-Turn Ceramic Cartridge, RTC

Product Specifications:

Pre-Rinse Unit: Single Hole Deck Mount Mixing Faucet, Ceramic Cartridges w/ Check Valves, Euro Lever Handle, 1.15 GPM Spray Valve (Blue), 44" Flexible Stainless Steel Hose, 12" Wall Bracket, 19 11/16" [500mm] Flexible Supply Hoses w/ G1/2 (1/2" BSPP) Female Nut Fittings & Check Valve Adapters w/ 1/2" NPSM Female Inlets

Product Compliance:

ASME A112.18.1 / CSA B125.1
NSF 61 - Section 9
NSF 372 (Low Lead Content)
2019 DOE PRSV - Class II