



T&S BRASS AND BRONZE WORKS, INC.

2 Saddleback Cove / P.O. Box 1088
Travelers Rest, SC 29690

Model No.

UMPK-6DLN-08

Item No.

Travelers Rest, SC: 800-476-4103 • Simi Valley, CA: 800-423-0150 • Fax: 864-834-3518 • www.tsbrass.com

This Space for Architect/Engineer Approval

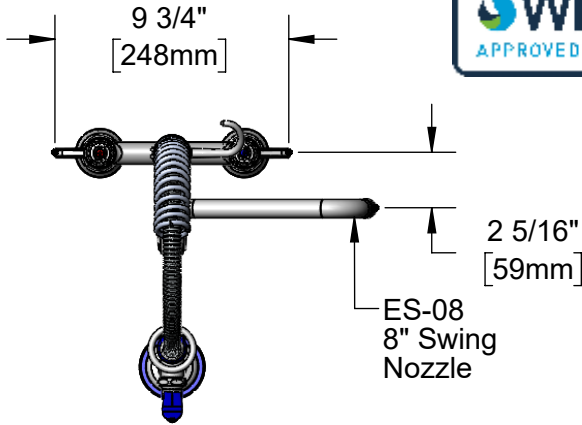
Job Name _____ Date _____

Model Specified _____ Quantity _____

Customer/Wholesaler _____

Contractor _____

Architect/Engineer _____



EB-0024-H
24" Stainless Steel
Hose w/ Polyurethane
Inner Hose & Handle

UK-0107
1.15 GPM
Blue Spray
Valve

B-0109-03
12" Adjustable
Wall Bracket

EasyInstall Add-On
Faucet w/ Quarter-
Turn Ceramic
Cartridge & Euro
Handle

Items Not Shown
For Clarity

Finger
Hook

EasyInstall
Lock Nut &
Bushing

8 1/8" [206mm]

12" [305mm]

9 5/8" [244mm]

Mounting
Surface

* 8 7/8" [226mm]

* 23 9/16" [599mm]

* 6 3/16" [157mm]

1/2" BSPT
Male Inlets

1 9/16" [39mm]
Maximum
Thickness

Rough-In Requirement:
(2) ϕ 1" [25mm] Holes

Quarter-Turn
Ceramic Cartridges w/
Euro Lever Handles &
Color Coded Screws

* Dimensions Will Vary \pm 1" Each Installation

Product Specifications:

EasyInstall Pre-Rinse Unit:

6" Deck Mount Mixing Faucet, Add-On-Faucet, 8" Swing Nozzle, Compact Spring & Hose, 1.15 GPM Spray Valve, 12" Wall Bracket, Lever Handles and 1/2" BSPT Male Inlets

Product Compliance:

WRAS Approved Product (UK)



T&S BRASS AND BRONZE WORKS, INC.

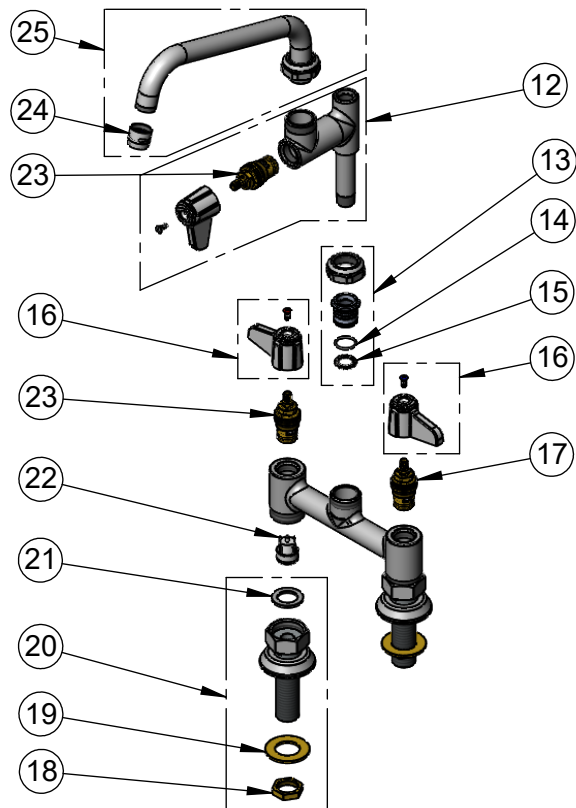
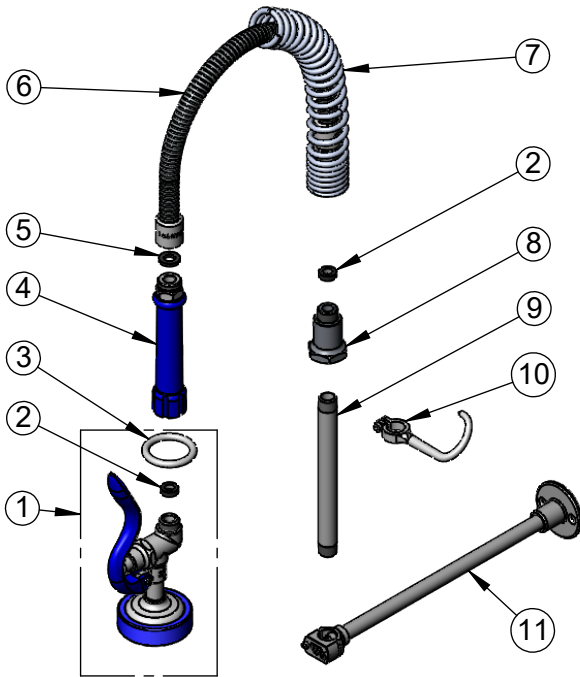
2 Saddleback Cove / P.O. Box 1088
Travelers Rest, SC 29690

Model No.

UMPK-6DLN-08

Item No.

Travelers Rest, SC: 800-476-4103 • Simi Valley, CA: 800-423-0150 • Fax: 864-834-3518 • www.tsbrass.com



ITEM NO.	SALES NO.	DESCRIPTION
1	UK-0107	1.15 GPM Spray Valve (Blue)
2	010476-45	#27 Washer
3	000907-45	Spray Valve Hold Down Ring
4	011482-40	Blue Grip Handle
5	001014-45	Washer, Hose Barrel
6	B-0024-H2A	24" Flex Hose Less Handle
7	016795-45	Compact Spring
8	000821-40	Spring Body
9	000363-40	Nipple, 3/8" NPT x 7"
10	004R	Finger Hook
11	B-0109-03	12" Wall Bracket
12	EU-AF00	Add-On Faucet
13	EU-EZ-K	Euro EasyInstall Retro-Fit Kit
14	001062-45	O-Ring
15	014200-45	Star Washer, Anti-Rotation
16	E-HDL-L	Euro Lever Hand w/ Color Coded Screws
17	013788-45	equip, Quarter-Turn Ceramic Cartridge, LTC
18	002954-45	Shank Lock Nut
19	000999-45	Brass Lock Washer
20	011473-40	UK Inlet Flange
21	010569-45	Washer, Inlet Flange Coupling (UK)
22	013840-45	20mm Check Valve
23	013787-45	equip, Quarter-Turn Ceramic Cartridge, RTC
24	014250-45	Laminar Full Flow Outlet Device
25	ES-08	8" Swing Nozzle, Euro

Product Specifications:

EasyInstall Pre-Rinse Unit:
6" Deck Mount Mixing Faucet, Add-On-Faucet, 8" Swing Nozzle, Compact Spring & Hose, 1.15 GPM Spray Valve, 12" Wall Bracket, Lever Handles and 1/2" BSPT Male Inlets

Product Compliance:

WRAS Approved Product (UK)