



T&S BRASS AND BRONZE WORKS, INC.

2 Saddleback Cove / P.O. Box 1088
Travelers Rest, SC 29690

Model No.

EU-2DF12

Item No.

Travelers Rest, SC: 800-476-4103 • Simi Valley, CA: 800-423-0150 • Fax: 864-834-3518 • www.tsbrass.com

This Space for Architect/Engineer Approval

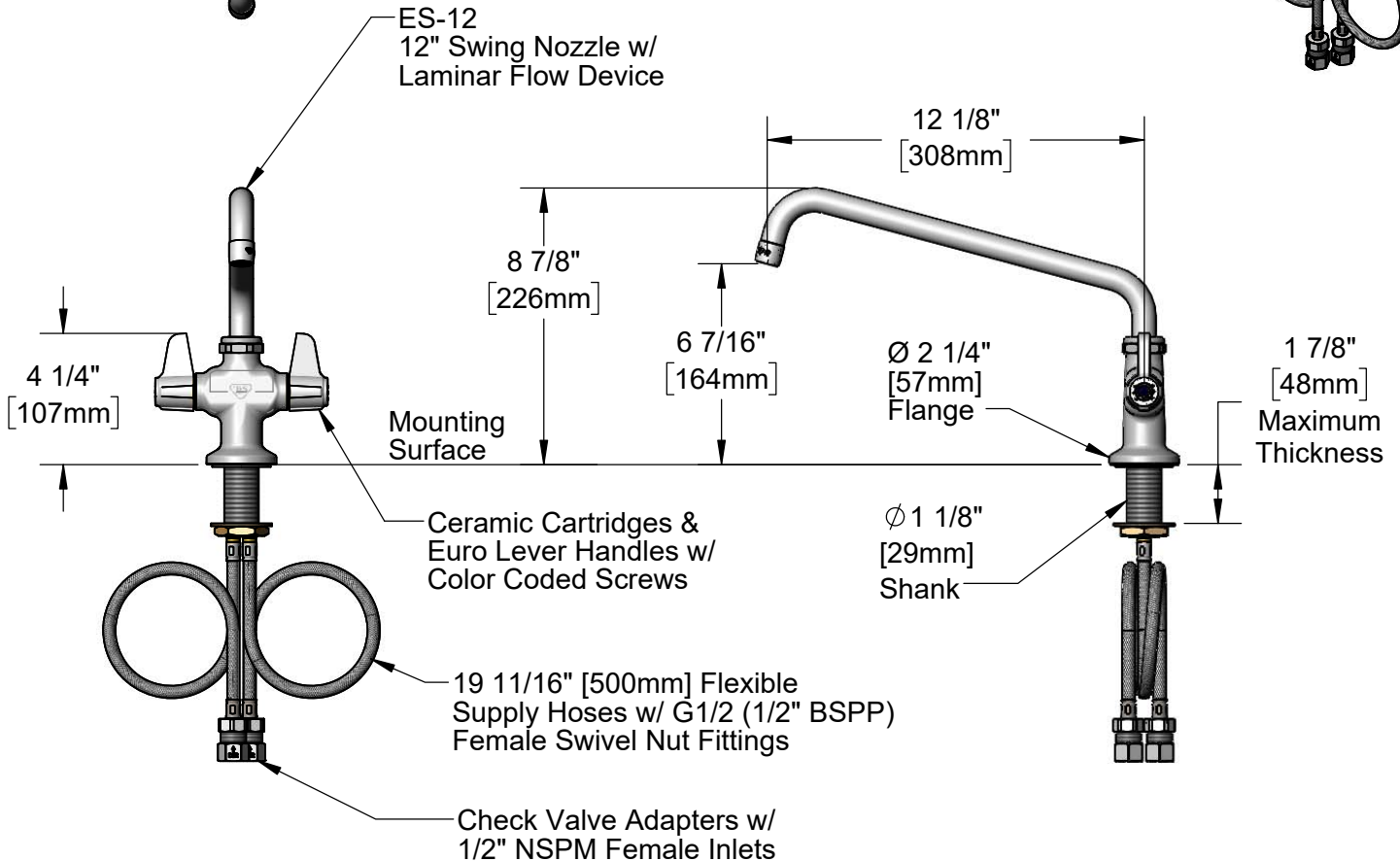
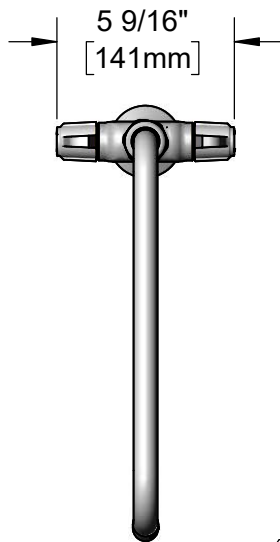
Job Name _____ Date _____

Model Specified _____ Quantity _____

Customer/Wholesaler _____

Contractor _____

Architect/Engineer _____



Rough-In Requirement:

Ø 1 1/2" [38mm] Mounting Hole

Product Specifications:

Single Hole Deck Mount Mixing Faucet, Ceramic Cartridges, Euro Lever Handles, 12" Swing Nozzle, 19 11/16" Flexible Supply Hoses w/ G1/2 Female Nut Fittings & Check Valve Adapters w/ 1/2" NPSM Female Inlets

Product Compliance:

ASME A112.18.1 / CSA B125.1
NSF 61 - Section 9
NSF 372 (Low Lead Content)
ANSI A117.1 (ADA)



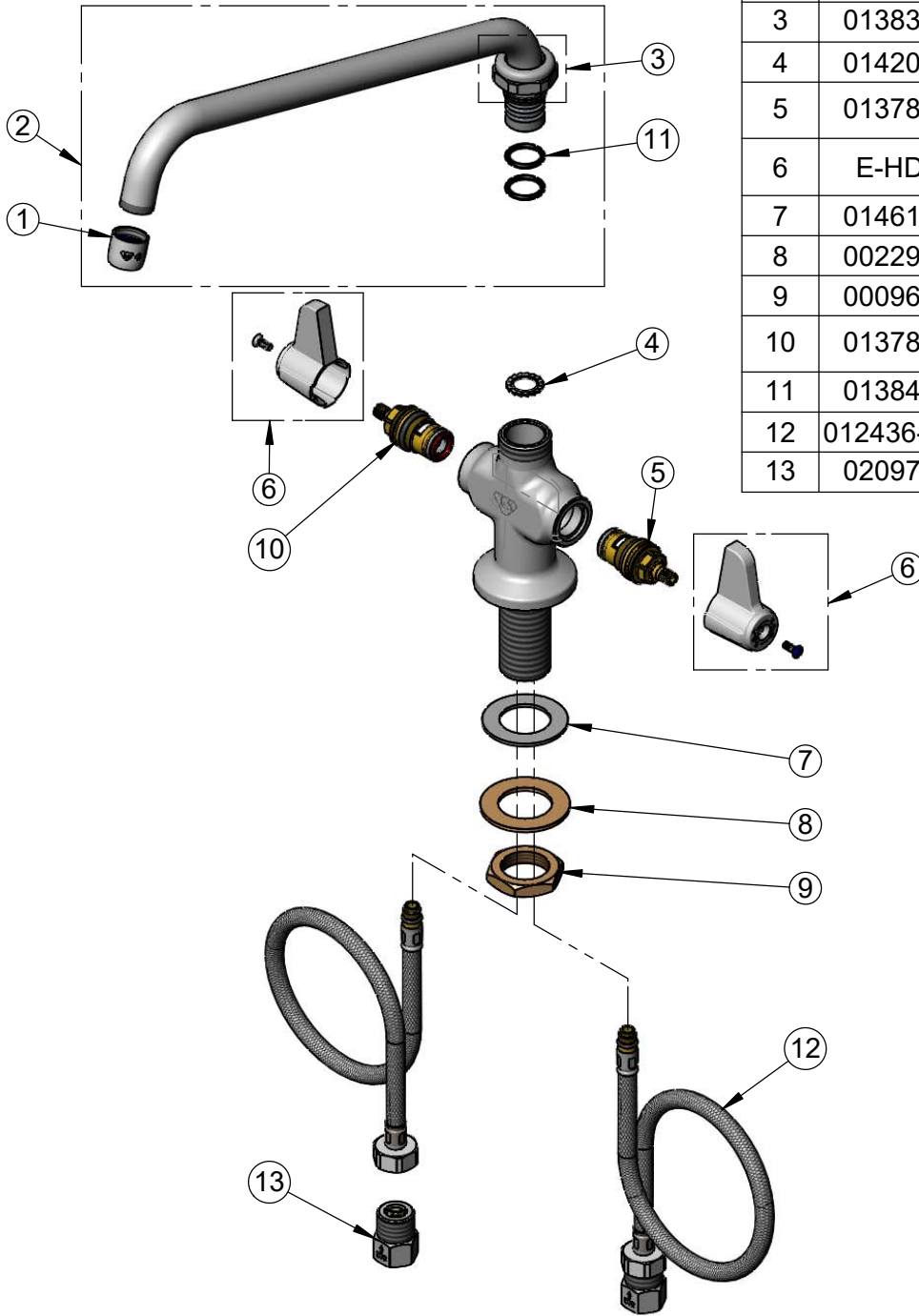
T&S BRASS AND BRONZE WORKS, INC.
 2 Saddleback Cove / P.O. Box 1088
 Travelers Rest, SC 29690

Model No.
EU-2DF12

Item No.

Travelers Rest, SC: 800-476-4103 • Simi Valley, CA: 800-423-0150 • Fax: 864-834-3518 • www.tsbrass.com

| ITEM NO. | SALES NO. | DESCRIPTION |
|----------|-------------|---|
| 1 | 014250-45 | 3/4-27 Full Flow Laminar Device |
| 2 | ES-12 | 12" Swing Nozzle |
| 3 | 013839-25 | equip Swivel Nut |
| 4 | 014200-45 | Star Washer, Anti-Rotation |
| 5 | 013788-45 | equip Quarter-Turn Ceramic Cartridge, LTC |
| 6 | E-HDL-L | Euro Lever Handle w/ Color Coded Screws |
| 7 | 014612-45 | Deck Seal |
| 8 | 002290-45 | Lock Washer |
| 9 | 000965-45 | Lock Nut |
| 10 | 013787-45 | equip Quarter-Turn Ceramic Cartridge, RTC |
| 11 | 013848-45 | O-Ring |
| 12 | 012436-45DR | Flexible Connector Hose |
| 13 | 020975-25 | Check Valve Adapter |



Product Specifications:
 Single Hole Deck Mount Mixing Faucet, Ceramic Cartridges, Euro Lever Handles, 12" Swing Nozzle, 19 11/16" Flexible Supply Hoses w/ G1/2 Female Nut Fittings & Check Valve Adapters w/ 1/2" NPSM Female Inlets

Product Compliance:
 ASME A112.18.1 / CSA B125.1
 NSF 61 - Section 9
 NSF 372 (Low Lead Content)
 ANSI A117.1 (ADA)