



T&S BRASS AND BRONZE WORKS, INC.

2 Saddleback Cove / P.O. Box 1088
Travelers Rest, SC 29690

Model No.

UMPM-6DLN-06

Item No.

Travelers Rest, SC: 800-476-4103 • Simi Valley, CA: 800-423-0150 • Fax: 864-834-3518 • www.tsbrass.com



This Space for Architect/Engineer Approval

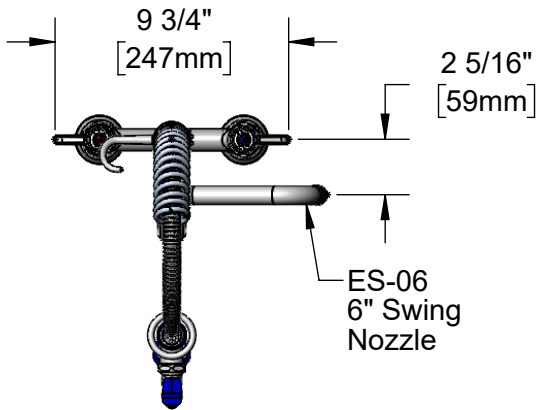
Job Name _____ Date _____

Model Specified _____ Quantity _____

Customer/Wholesaler _____

Contractor _____

Architect/Engineer _____



Items Not Shown
For Clarity

Finger
Hook

EasyInstall
Lock Nut &
Bushing

24" Flexible Stainless
Steel Hose w/ Spring
& Spray Valve

EB-0107-J
1.07 GPM
Blue Spray
Valve

B-0109-03
12" Adjustable
Wall Bracket

3/8" NPT x 7" Riser

EasyInstall Add-On
Faucet w/ Quarter-
Turn Ceramic
Cartridge & Euro
Handle

Mounting
Surface

Quarter-Turn
Ceramic Cartridges w/
Euro Lever Handles &
Color Coded Screws

1/2" BSPT
Male Inlets

1 9/16"
[39mm]
Maximum
Thickness

Rough-In Requirement:
(2) \varnothing 1" [25mm] Holes

* Dimensions Will Vary \pm 1" Each Installation

Product Specifications:

EasyInstall Pre-Rinse Unit:

6" Deck Mount Mixing Faucet, Quarter-Turn Ceramic Cartridges, Add-On
Faucet, 6" Swing Nozzle, Compact Spring & Hose, 1.07 GPM Spray Valve,
12" Wall Bracket, Lever Handles and 1/2" BSPT Male Inlets

Product Compliance:

WRAS Approved Product (UK)



T&S BRASS AND BRONZE WORKS, INC.

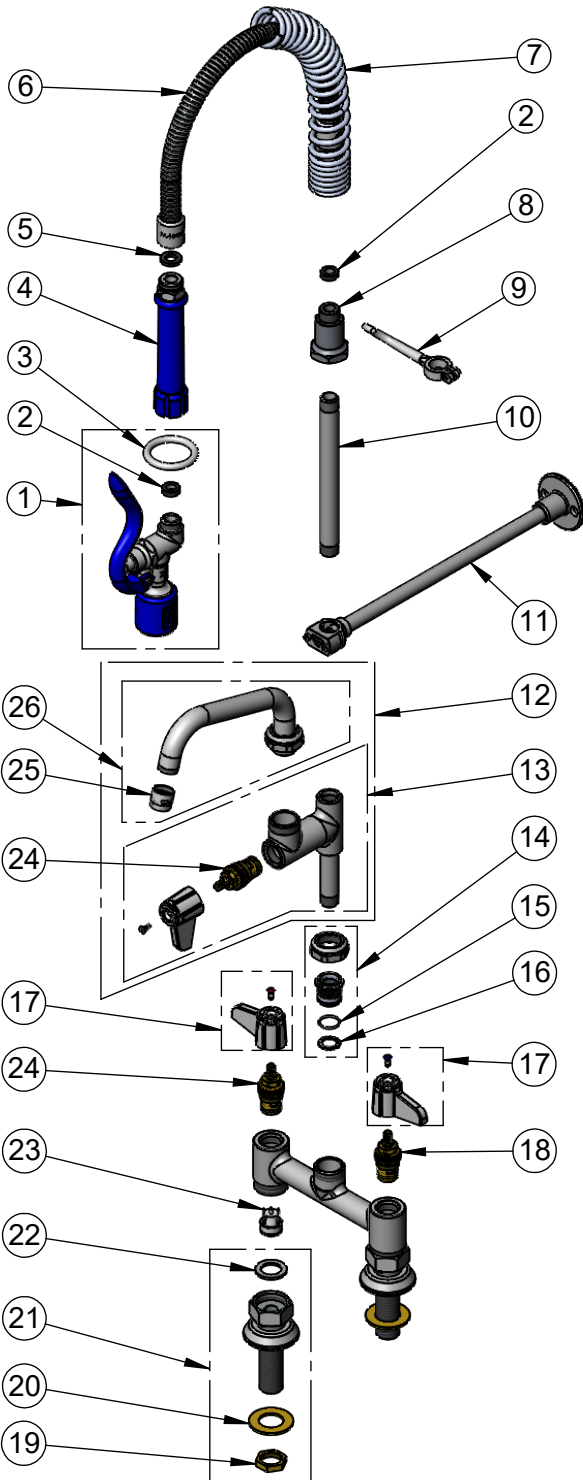
2 Saddleback Cove / P.O. Box 1088
Travelers Rest, SC 29690

Model No.

UMPM-6DLN-06

Item No.

Travelers Rest, SC: 800-476-4103 • Simi Valley, CA: 800-423-0150 • Fax: 864-834-3518 • www.tsbrass.com



ITEM NO.	SALES NO.	DESCRIPTION
1	EB-0107-J	1.07 GPM Blue Spray Valve
2	010476-45	#27 Washer
3	000907-45	Spray Valve Hold Down Ring
4	011482-40	Blue Grip Handle
5	001014-45	Washer, Hose Barrel
6	B-0024-H2A	24" Flex Hose Less Handle
7	016795-45	Compact Spring
8	000821-40	Spring Body
9	004R	Finger Hook
10	000363-40	Nipple, 3/8" NPT x 7"
11	B-0109-03	12" Wall Bracket
12	EU-AF06	Add-On Faucet w/ 6" Swing Nozzle
13	EU-AF00	Add-On Faucet
14	EU-EZ-K	Euro EasyInstall Retro-Fit Kit
15	001062-45	O-Ring
16	014200-45	Star Washer, Anti-Rotation
17	E-HDL-L	Euro Lever Hand w/ Color Coded Screws
18	013788-45	equip, Quarter-Turn Ceramic Cartridge, LTC
19	002954-45	Shank Lock Nut
20	000999-45	Brass Lock Washer
21	011473-40	UK Inlet Flange
22	010569-45	Washer, Inlet Flange Coupling (UK)
23	013840-45	20mm Check Valve
24	013787-45	equip, Quarter-Turn Ceramic Cartridge, RTC
25	014250-45	Laminar Full Flow Outlet Device
26	ES-06	6" Swing Nozzle, Euro

Product Specifications:

EasyInstall Pre-Rinse Unit:
6" Deck Mount Mixing Faucet, Quarter-Turn Ceramic Cartridges, Add-On
Faucet, 6" Swing Nozzle, Compact Spring & Hose, 1.07 GPM Spray Valve,
12" Wall Bracket, Lever Handles and 1/2" BSPT Male Inlets

Product Compliance:

WRAS Approved Product (UK)