



**T&S BRASS AND BRONZE WORKS, INC.**

2 Saddleback Cove / P.O. Box 1088  
Travelers Rest, SC 29690

Model No.  
**CEF-EU1DS-VF05**

Item No.

Travelers Rest, SC: 800-476-4103 • Simi Valley, CA: 800-423-0150 • Fax: 864-834-3518 • www.tsbrass.com

This Space for Architect/Engineer Approval

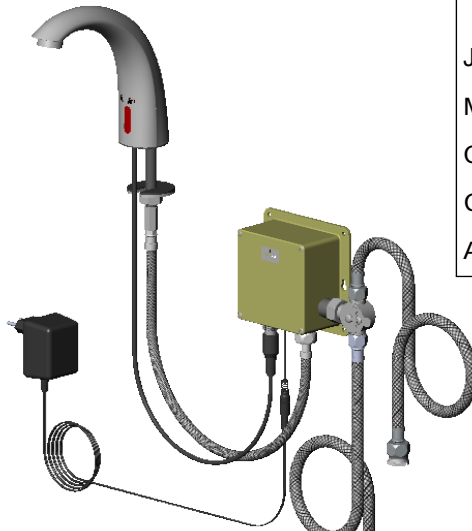
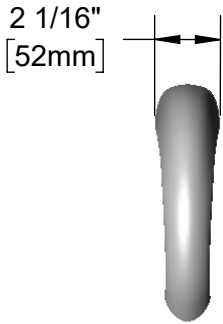
Job Name \_\_\_\_\_ Date \_\_\_\_\_

Model Specified \_\_\_\_\_ Quantity \_\_\_\_\_

Customer/Wholesaler \_\_\_\_\_

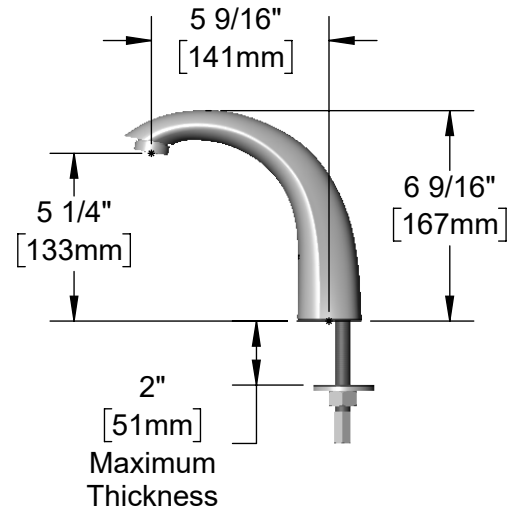
Contractor \_\_\_\_\_

Architect/Engineer \_\_\_\_\_



Polished Chrome Plated  
Cast Brass Spout w/  
Vandal Resistant 0.5 GPM  
Non-Aerated Spray Device

Control Module Box w/  
Integral Inlet Filter.  
AC or DC Powered.  
(4) AA Batteries Included.



4 3/4"  
[120mm]

4 15/16"  
[125mm]

Mechanical Temperature  
Mixing Valve

Flexible Supply Hoses  
w/ G 1/2" Female Inlets

Adapters, G 3/8" Female x  
1/2" NPSM Male  
(Compatible with G 1/2")

230 VAC Adapter w/  
I.E.C. Type C (EU) Plug and  
55" [1400mm] Long Cord

Rough-In Requirement:  
Ø 1 1/4" [32mm] Mounting Hole

Product Specifications:

Single Hole Deck Mount Sensor Faucet w/ Cast Spout, VR 0.5 GPM Non-Aerated Spray Device, Control Module, AC Adapter w/ EU Plug, Mechanical Mixing Valve and Flexible Supply Hoses w/ G 3/8" Female Inlet Adapters

Product Compliance:



# T&S BRASS AND BRONZE WORKS, INC.

2 Saddleback Cove / P.O. Box 1088  
Travelers Rest, SC 29690

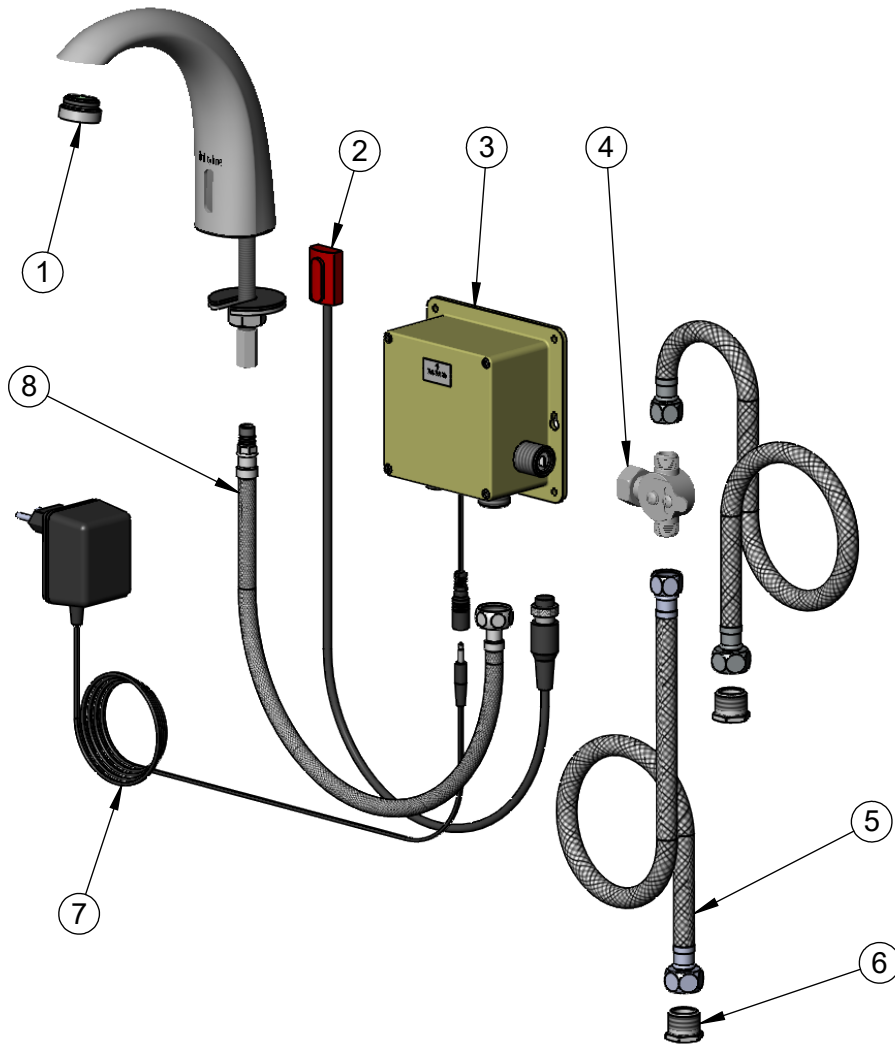
Model No.

**CEF-EU1DS-VF05**

Item No.

Travelers Rest, SC: 800-476-4103 • Simi Valley, CA: 800-423-0150 • Fax: 864-834-3518 • www.tsbrass.com

ITEM NO.	SALES NO.	DESCRIPTION
1	EU-0199-M24-V05	VR 0.5 GPM Spray Device, M24x1 Male
2	020377-45	Sensor Cable
3	019920-45	Control Module
4	019921-45	Mechanical Temperature Mixing Valve
5	019922-45	Supply Hose, G 3/8" x G 1/2" Connections
6	020498-25	Hex Bushing, G 3/8" Female x 1/2 NPSM Male w/ Sealing Washer
7	019924-45EU	Plug-in AC Adapter w/ EU Plug
8	019926-45	Flexible Connector Hose



**Product Specifications:**

Single Hole Deck Mount Sensor Faucet w/ Cast Spout, VR 0.5 GPM Non-Aerated Spray Device, Control Module, AC Adapter w/ EU Plug, Mechanical Mixing Valve and Flexible Supply Hoses w/ G 3/8" Female Inlet Adapters

**Product Compliance:**