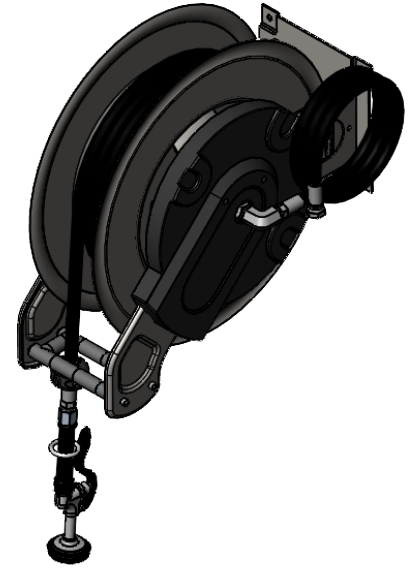
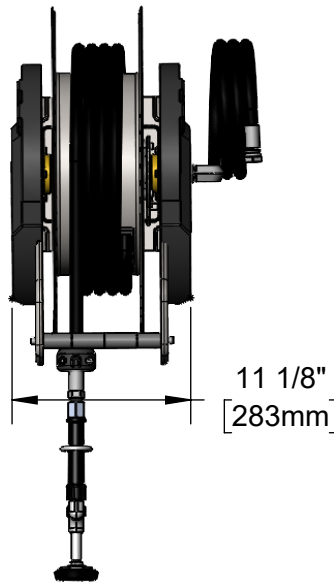
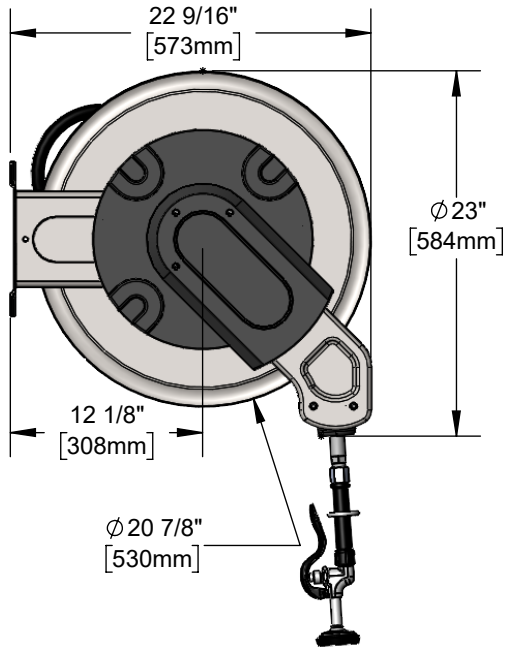


**Architect/Engineering Specifications:**

Open stainless steel, dual arm, hose reel, high flow spray valve, 1/2" x 65' hose, ratcheting system, bracket, adjustable hose bumper and 1.5m supply hose with 1/2" NPSM female inlet and 1/2" NPT female inlet on reel (right side).

Job Name \_\_\_\_\_  
 Model Specified \_\_\_\_\_ Quantity \_\_\_\_\_  
 Variations Specified \_\_\_\_\_  
 Date \_\_\_\_\_



**Features & Benefits:**

- Open stainless steel dual arm hose reel
- Black high flow spray valve
- 1/2" x 65' hose
- Ratcheting system holds the length of hose until a slight tug to retract automatically
- 1.5m x 1/2" supply hose with 1/2" NPSM female inlet
- 1/2" NPT female inlet on reel
- Adjustable hose bumper
- Bracket for wall, ceiling or deck mounting
- Material: Stainless steel open reel, polished chrome plated spray valve

**Product Compliance:**

- 2019 DOE PRSV Non-Compliant
- NSF 61 Exempt (Non-Potable)

**Warranty:** One Year (Limited)

- Hose: One Year (Limited)

**Performance Data:**

- Pressure: 20 - 125 psi [1.38 - 8.62 bar]
- Temperature: 40°F - 140°F [4.44°C - 60°C]
- Flow Rate: 2.53 GPM [9.58 L/min] @ 60 psi [4.14 bar]