



**T&S BRASS AND BRONZE WORKS, INC.**  
 2 Saddleback Cove / P.O. Box 1088  
 Travelers Rest, SC 29690

Model No.

**EMPV-2DLN-06**

Item No.

Travelers Rest, SC: 800-476-4103 • Simi Valley, CA: 800-423-0150 • Fax: 864-834-3518 • www.tsbrass.com

This Space for Architect/Engineer Approval

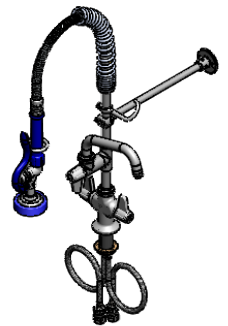
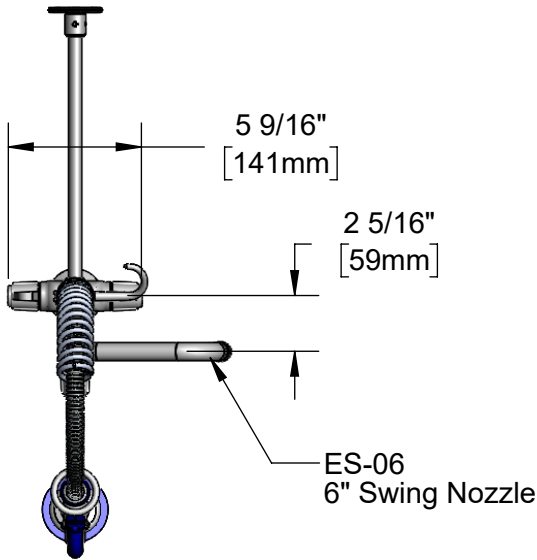
Job Name \_\_\_\_\_ Date \_\_\_\_\_

Model Specified \_\_\_\_\_ Quantity \_\_\_\_\_

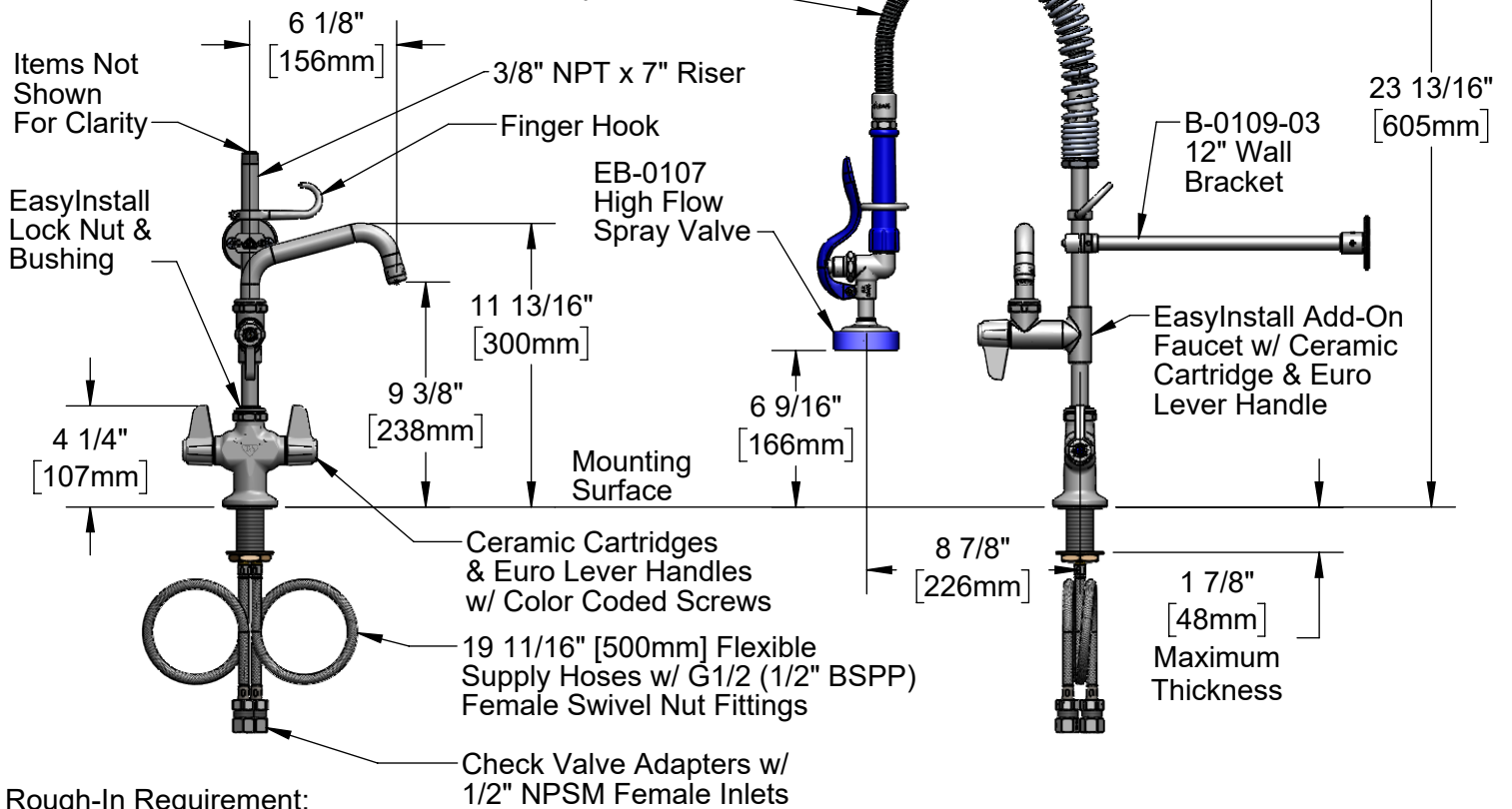
Customer/Wholesaler \_\_\_\_\_

Contractor \_\_\_\_\_

Architect/Engineer \_\_\_\_\_



24" Flexible Stainless Steel Hose w/ Spring & Spray Valve



Rough-In Requirement:  
 $\varnothing$  1 1/2" [38mm] Mounting Hole

Product Specifications:

Pre-Rinse Unit: EasyInstall Single Hole Deck Mount Mixing Faucet, Ceramic Cartridges, Euro Lever Handles, Add-On Faucet, 6" Swing Nozzle, 24" Flexible Stainless Steel Hose, High Flow Spray Valve, 12" Wall Bracket, 19 11/16" [500mm] Flexible Supply Hoses w/ G1/2 Female Nut Fittings & Check Valve Adapters w/ 1/2" NPSM Female Inlets

Product Compliance:

EPA Act 2005 Non-Compliant (PRSV)



# T&S BRASS AND BRONZE WORKS, INC.

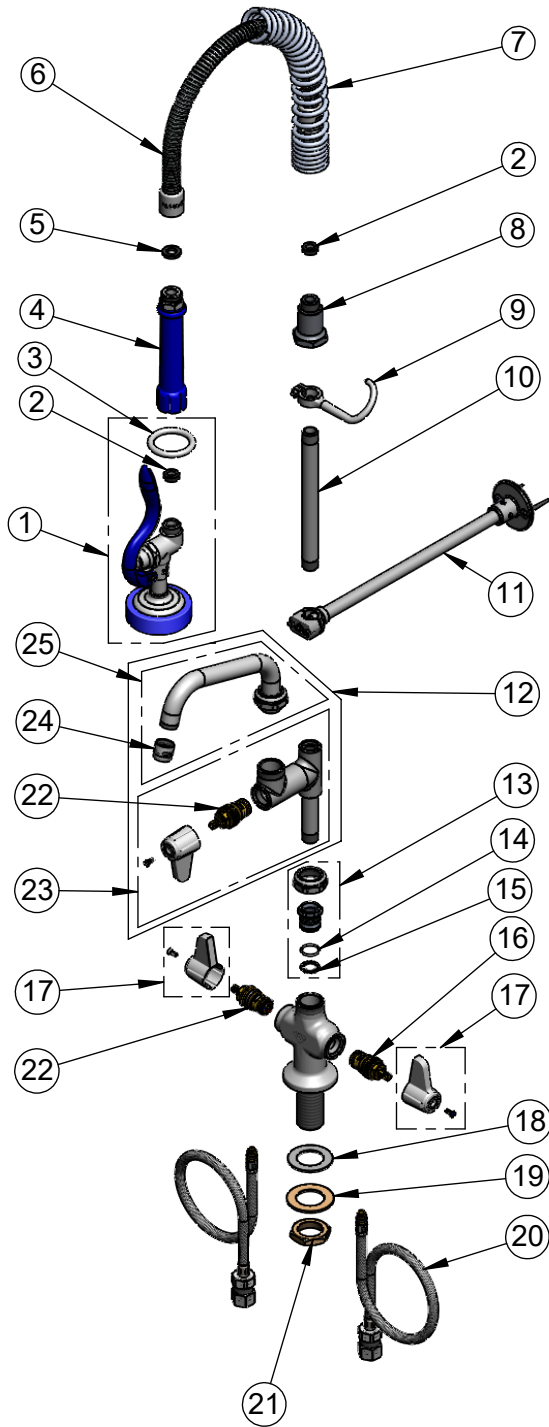
2 Saddleback Cove / P.O. Box 1088  
Travelers Rest, SC 29690

Model No.

**EMPV-2DLN-06**

Item No.

Travelers Rest, SC: 800-476-4103 • Simi Valley, CA: 800-423-0150 • Fax: 864-834-3518 • www.tsbrass.com



ITEM NO.	SALES NO.	DESCRIPTION
1	EB-0107	High Flow Spray Valve (Blue)
2	010476-45	#27 Washer
3	000907-45	Spray Valve Hold Down Ring
4	011482-40	Blue Grip Handle
5	001014-45	Washer, Hose Barrel
6	B-0024-H2A	24" Flexible Stainless Steel Hose, Less Handle
7	016795-45	Compact Spring
8	000821-40	Spring Body
9	004R	Finger Hook
10	000363-40	3/8" NPT x 7" Riser
11	B-0109-03	12" Wall Bracket
12	EU-AF06	Add-On Faucet w/ 6" Swing Nozzle
13	EU-EZ-K	Euro EasyInstall Kit: Nut, Bushing, O-Ring & Lock Washer
14	001062-45	O-Ring
15	014200-45	Star Washer, Anti-Rotation
16	013788-45	equip Quarter-Turn Ceramic Cartridge, LTC
17	E-HDL-L	Euro Lever Handle w/ Color Coded Screws
18	014612-45	Deck Seal
19	002290-45	Lock Washer
20	016068-25DR	Flexible Connector Hose w/ Check Valve Adapter
21	000965-45	Lock Nut
22	013787-45	equip Quarter-Turn Ceramic Cartridge, RTC
23	EU-AF00	Add-On Faucet
24	014250-45	Laminar Full Flow Outlet
25	ES-06	6" Swing Nozzle

**Product Specifications:**

Pre-Rinse Unit: EasyInstall Single Hole Deck Mount Mixing Faucet, Ceramic Cartridges, Euro Lever Handles, Add-On Faucet, 6" Swing Nozzle, 24" Flexible Stainless Steel Hose, High Flow Spray Valve, 12" Wall Bracket, 19 11/16" [500mm] Flexible Supply Hoses w/ G1/2 Female Nut Fittings & Check Valve Adapters w/ 1/2" NPSM Female Inlets

**Product Compliance:**

EPA Act 2005 Non-Compliant (PRSV)